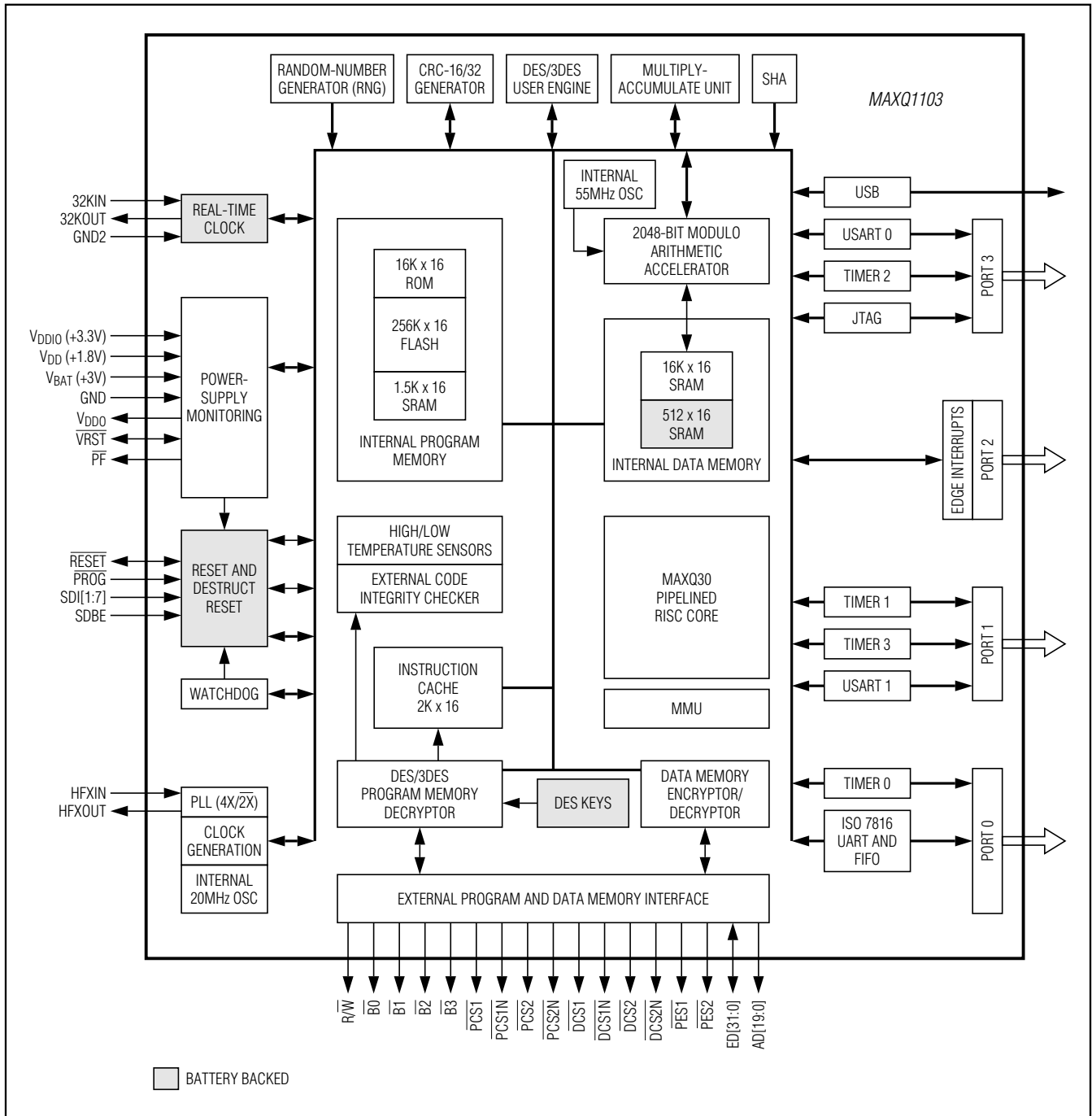


ABRIDGED DATA SHEET

MAXQ1103

DeepCover Secure Microcontroller with Rapid Zeroization Technology and Cryptography

Functional Diagram



Note to readers: This document is an abridged version of the full data sheet. To request the full data sheet, go to www.maximintegrated.com/MAXQ1103 and click on **Request Full Data Sheet**.

Mouser Electronics

Authorized Distributor

Click to View Pricing, Inventory, Delivery & Lifecycle Information:

[Maxim Integrated:](#)

[MAXQ1103-ENS+](#)