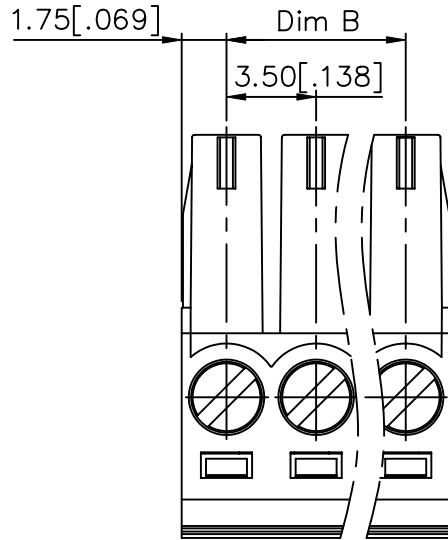


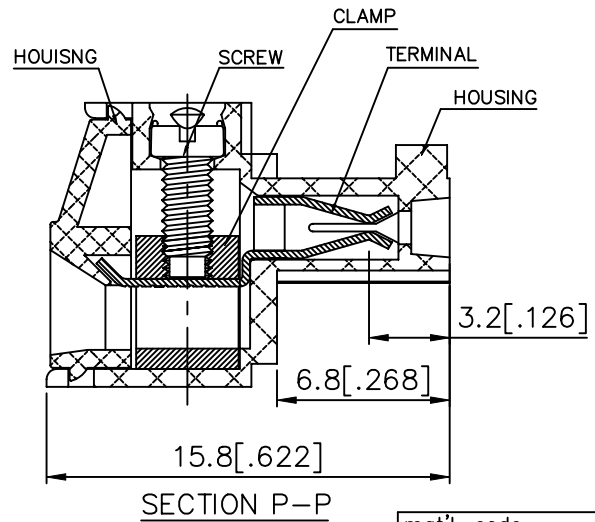
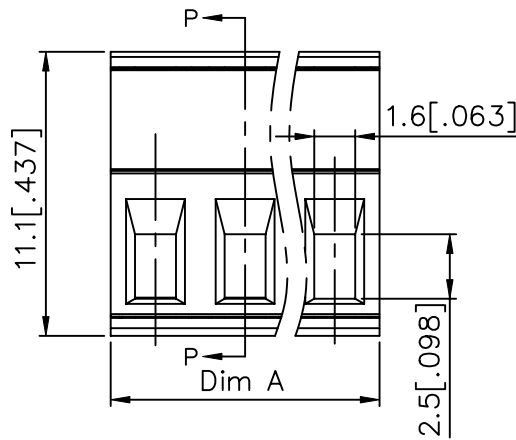


1 | 2

PRODUCT NUMBER	SERIES NAME	PITCH
20020004-CXXXXXXLF	01-350	3.50 mm



A



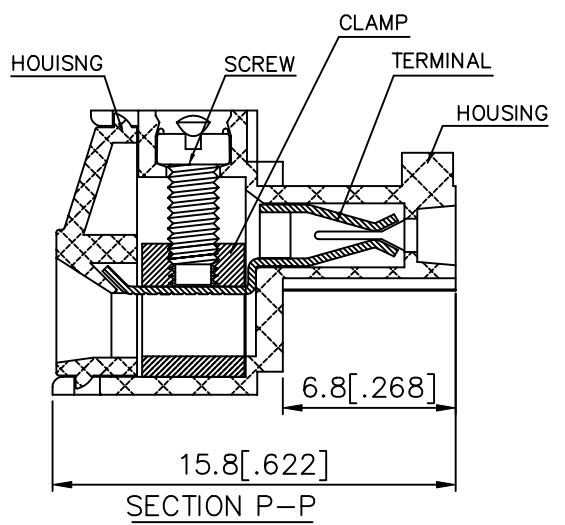
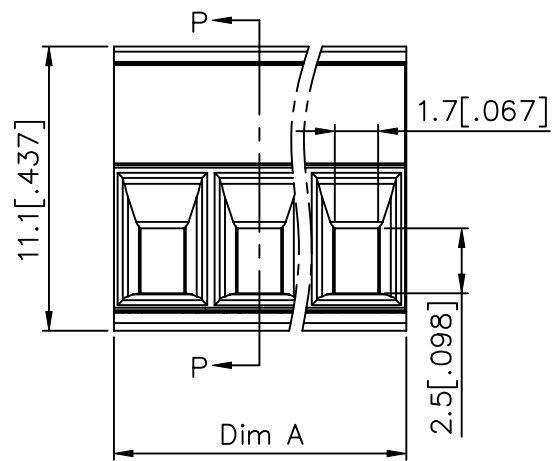
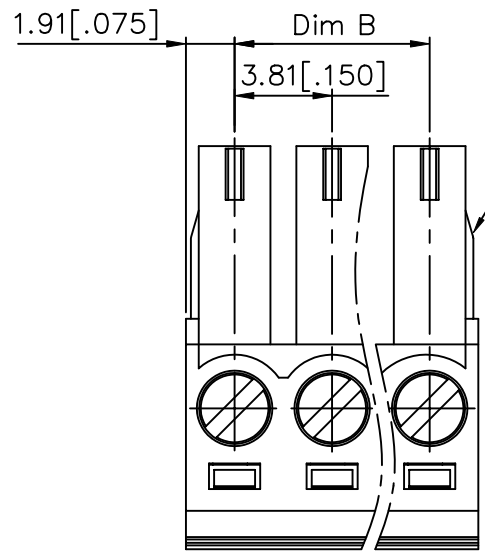
B

mat'l. code		surface	tolerances unless	ASME Y14.5	∠	to
ltr	ecn no	dr	date			A
L				angles	in	X.
				'±1°	in	X.X
					in	X.XX
		dr	BEER FU			
		enr	BEER FU			
		chr	GARY HSIEH			
		appd	JOSEPH HS			
sheet	revision					
index	sheet					



1 | 2

PRODUCT NUMBER	SERIES NAME	PITCH
20020004-DXXXXXXLF	01-381	3.81 mm



mat'l. code		surface	tolerances unless	ASME Y14.5	✓	to
ltr	ecn no	dr	date			A
L				angles	in	X.
				X°±1'	in	X.X
						X.XX
		dr	BEER FU			
		enr	BEER FU			
		chr	GARY HSIEH			
		appd	JOSEPH HS			
sheet	revision					
index	sheet					

A

B

1 |

2

Mouser Electronics

Authorized Distributor

Click to View Pricing, Inventory, Delivery & Lifecycle Information:

Amphenol:

[20020004-D091B01LF](#) [20020004-C041B01LF](#) [20020004-C031B01LF](#) [20020004-D041B01LF](#) [20020004-D042A01LF](#)
[20020004-D072A01LF](#) [20020004-C033B01LF](#) [20020004-C162B01LF](#) [20020004-C084B01LF](#) [20020004-D041A01LF](#)
[20020004-D051A01LF](#) [20020004-D042B01LF](#) [20020004-C042B01LF](#) [20020004-C083B01LF](#) [20020004-C122B01LF](#)