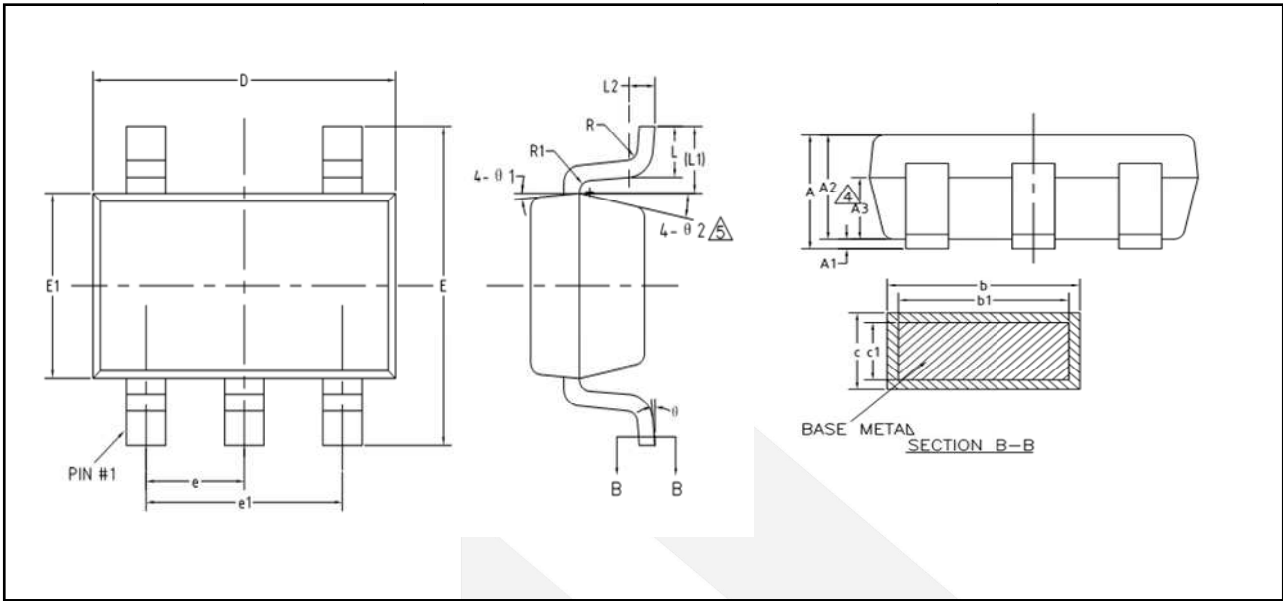


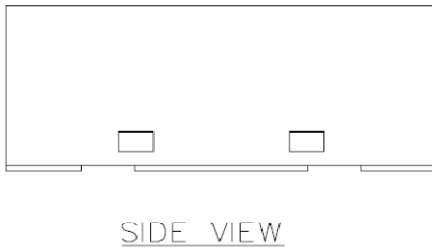
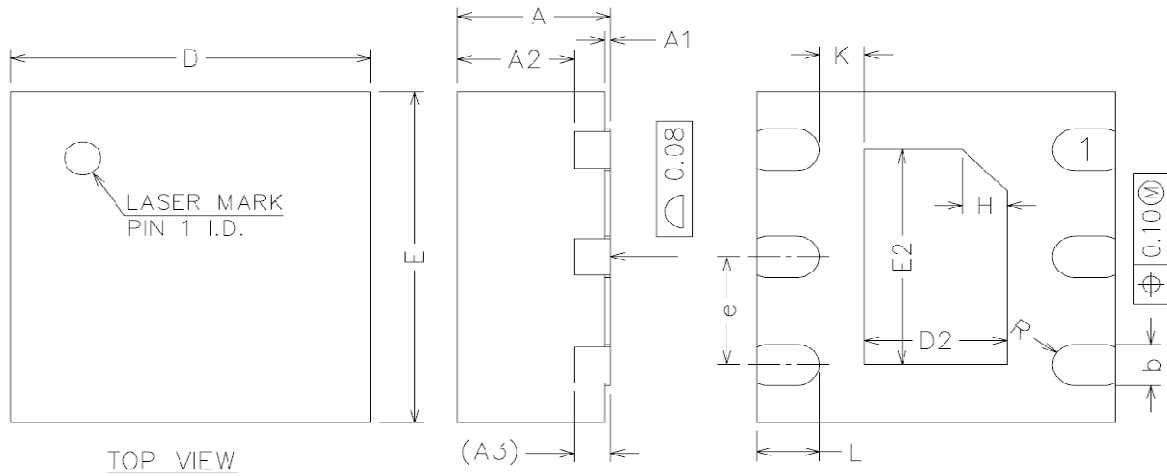
## Physical Dimensions: SOT-23-5

High-Efficiency 1.5MHz, 1A Output Synchronous Step Down Converter



| COMMON DIMENSIONS<br>(UNITS OF MEASURE=MILLIMETER) |         |       |       |
|--|---------|-------|-------|
| Symbol   | MIN     | NOM   | MAX   |
| A  | -       | -     | 1.25  |
| A1   | 0       | -     | 0.15  |
| A2   | 1.00    | 1.10  | 1.20  |
| A3   | 0.60    | 0.65  | 0.70  |
| b  | 0.36    | -     | 0.50  |
| b1   | 0.36    | 0.38  | 0.45  |
| c  | 0.14    | -     | 0.20  |
| c1   | 0.14    | 0.15  | 0.16  |
| D  | 2.826   | 2.926 | 3.026 |
| E  | 2.60    | 2.80  | 3.00  |
| E1   | 1.526   | 1.626 | 1.726 |
| e  | 0.90    | 0.95  | 1.00  |
| e1   | 1.80    | 1.90  | 2.00  |
| L  | 0.35    | 0.45  | 0.60  |
| L1   | 0.59REF |       |       |
| L2   | 0.25BSC |       |       |
| R  | 0.10    | -     | -     |
| R1   | 0.10    | -     | 0.25  |
| θ  | 0°      | -     | 8°    |
| θ1   | 3°      | 5°    | 7°    |
| θ2   | 6°      | -     | 14°   |

## Physical Dimensions: DFN-6



| COMMON DIMENSIONS<br>(UNITS OF MEASURE=MILLIMETER) |         |      |      |
|--|---------|------|------|
| Symbol   | MIN     | NOM  | MAX  |
| A  | 0.80    | 0.85 | 0.90 |
| A1   | 0.00    | 0.02 | 0.05 |
| A2   | 0.60    | 0.65 | 0.70 |
| A3   | 0.20REF |      |      |
| b  | 0.18    | 0.25 | 0.30 |
| D  | 1.90    | 2.00 | 2.10 |
| E  | 1.90    | 2.00 | 2.10 |
| D2   | 0.70    | 0.80 | 0.90 |
| E2   | 1.20    | 1.30 | 1.40 |
| e  | 0.55    | 0.65 | 0.75 |
| H  | 0.25REF |      |      |
| K  | 0.20    | -    | -    |
| L  | 0.30    | 0.35 | 0.40 |
| R  | 0.11    | -    | -    |

## CONTACT US

Dioo is a professional design and sales corporation for high-quality and performance analog semiconductors. The company focuses on industry markets, such as, cell phone, handheld products, laptop, and medical equipments and so on. Dioo's product families include analog signal processing and amplifying, LED drivers and charger IC. Go to <http://www.dioo.com> for a complete list of Dioo product families.

For additional product information, or full datasheet, please contact with our Sales Department or Representatives.



# Mouser Electronics

Authorized Distributor

Click to View Pricing, Inventory, Delivery & Lifecycle Information:

DIOO:

[DIO6011CST5](#) [DIO6011CD6](#)