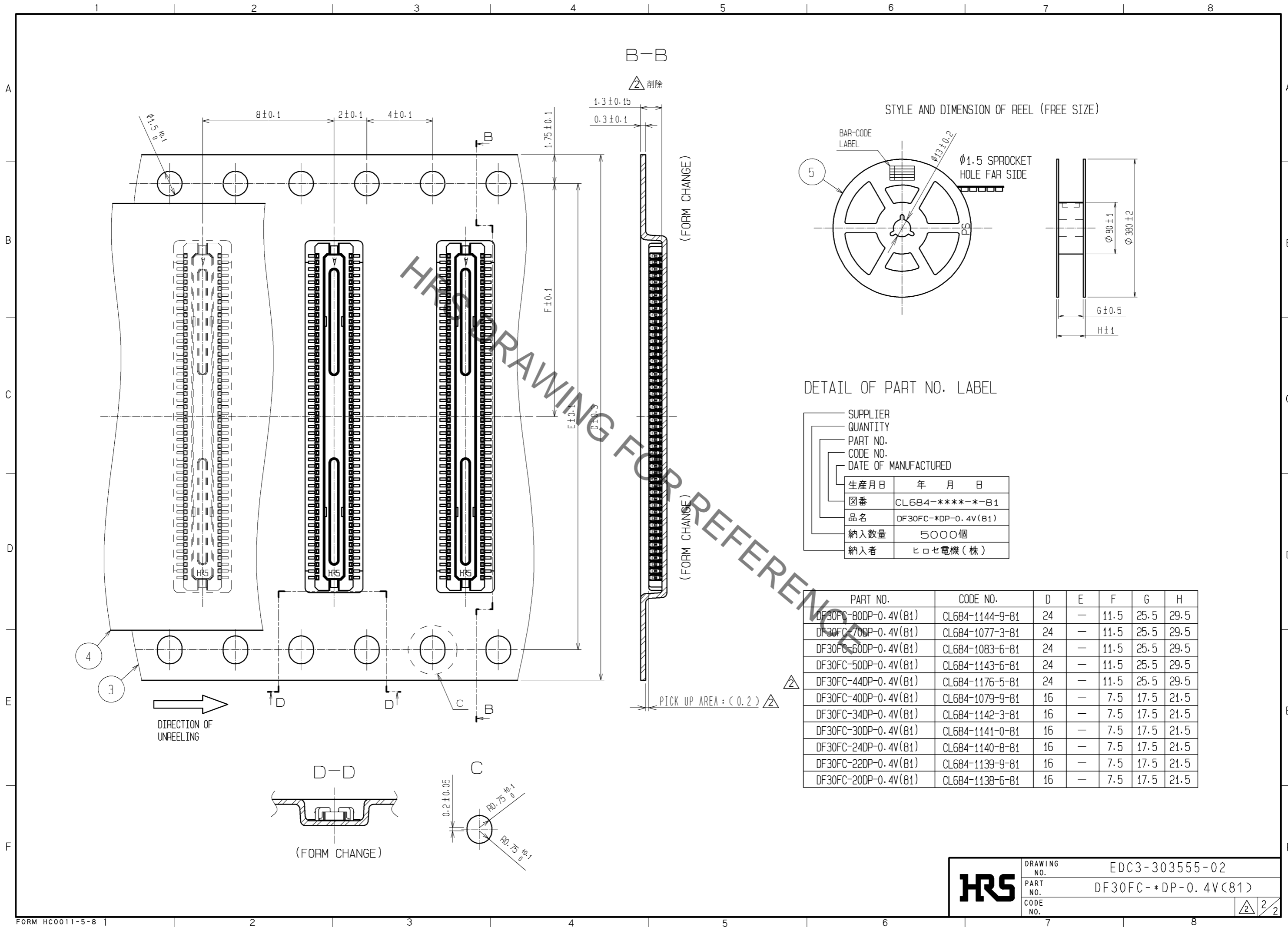


Sep.1.2021 Copyright 2021 HIROSE ELECTRIC CO., LTD. All Rights Reserved.  
 In case of consideration for using Automotive equipment / device which demand high reliability, kindly contact our sales window correspondents.



**HRS**

DRAWING NO.	EDC3-303555-02
PART NO.	DF30FC-*DP-0.4V(B1)
CODE NO.	

2/2

# Mouser Electronics

Authorized Distributor

Click to View Pricing, Inventory, Delivery & Lifecycle Information:

[Hirose Electric:](#)

[DF30FC-70DP-0.4V\(81\)](#)