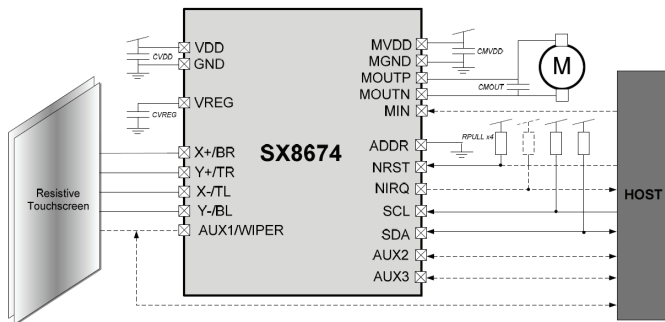


Electrical Characteristics						
Symbol	Description	Condition	Min	Typ	Max	Unit
Supply						
VDD	Main supply voltage		2.3	-	3.6	V
IDD	Main supply current	OFF (MAN mode, no command, HAPT OFF)	-	0.4	0.75	µA
		WAIT (PENDET/TRG mode, pen up, PROX OFF, HAPT OFF)	-	1.7	-	µA
		TOUCH1 (PENTRG mode, pen down, X+Y, RATE=4kcps, Nfilt=1, POWDLY=0.5us, touch screen current excluded, HAPT OFF, VDD=2.3V)	-	30	-	µA
		TOUCH2 (PENTRG mode, pen down, X+Y, RATE=3kcps, Nfilt=7, POWDLY=0.5us, touch screen current excluded, HAPT OFF)	-	120	160	µA
		PROX (PENDET/TRG mode, pen up, TOUCHRATE=80cps, PROX ON, SCANPERIOD=200ms, HIGHIM=ON, SENSITIVITY=Max, FREQ=150kHz, BOOST=OFF, HAPT OFF)	-	8	20	µA
		HAPT (MAN mode, no command, LRA-PWM mode, MIN= 44.8kHz/50%, GAIN = Max, BW = 100, MOUTP/N floating, Squelch=011)	-	115	145	µA
MVDD	Haptics supply voltage		VDD	-	3.6	V
MIDD	Haptics supply current	OFF	-	0.01	1	µA
		SQUELCH (LRA-PWM mode, MIN= 44.8kHz/50%, GAIN = Max, BW = 100, MOUTP/N floating, Squelch=011)	-	6	10	µA

TYPICAL APPLICATION CIRCUIT



ORDERING INFORMATION

Part Number	Package (mm)	Multi-touch	Proximity	Haptics
SX8651IWLTRT	3x3 DFN-12	x		
SX8651ICSTRT	1.46x1.96 WLCSP-12	x		
SX8653IWLTRT	4x4 DFN-14	x		
SX8653ICSTRT	1.46x1.96 WLCSP-12	x		
SX8674IWLTRT	4x4 QFN-20	x	x	Generic
SX8674ICSTRT	2.07x2.07 WLCSP-19	x	x	Generic
SX8675IWLTRT	4x4 QFN-20	x		Generic
SX8675ICSTRT	2.07x2.07 WLCSP-19	x		Generic
SX8676IWLTRT	4x4 QFN-20	x	x	
SX8676ICSTRT	2.07x2.07 WLCSP-19	x	x	
SX8677IWLTRT	4x4 QFN-20	x	x	Immersion
SX8677ICSTRT	2.07x2.07 WLCSP-19	x	x	Immersion
SX8678IWLTRT	4x4 QFN-20	x		Immersion
SX8678ICSTRT	2.07x2.07 WLCSP-19	x		Immersion



200 Flynn Road, Camarillo, California 93012 • phone: (805) 498-2111 • fax: (805) 498-3804

Mouser Electronics

Authorized Distributor

Click to View Pricing, Inventory, Delivery & Lifecycle Information:

Semtech:

[SX8651IWLTRT](#) [SX8651ICSTRT](#) [SX8675IWLTRT](#) [SX8677IWLTRT](#) [SX8674IWLTRT](#) [SX8676IWLTRT](#)
[SX8678IWLTRT](#) [SX8677ICSTRT](#) [SX8675ICSTRT](#) [SX8676ICSTRT](#) [SX8674ICSTRT](#) [SX8678ICSTRT](#)