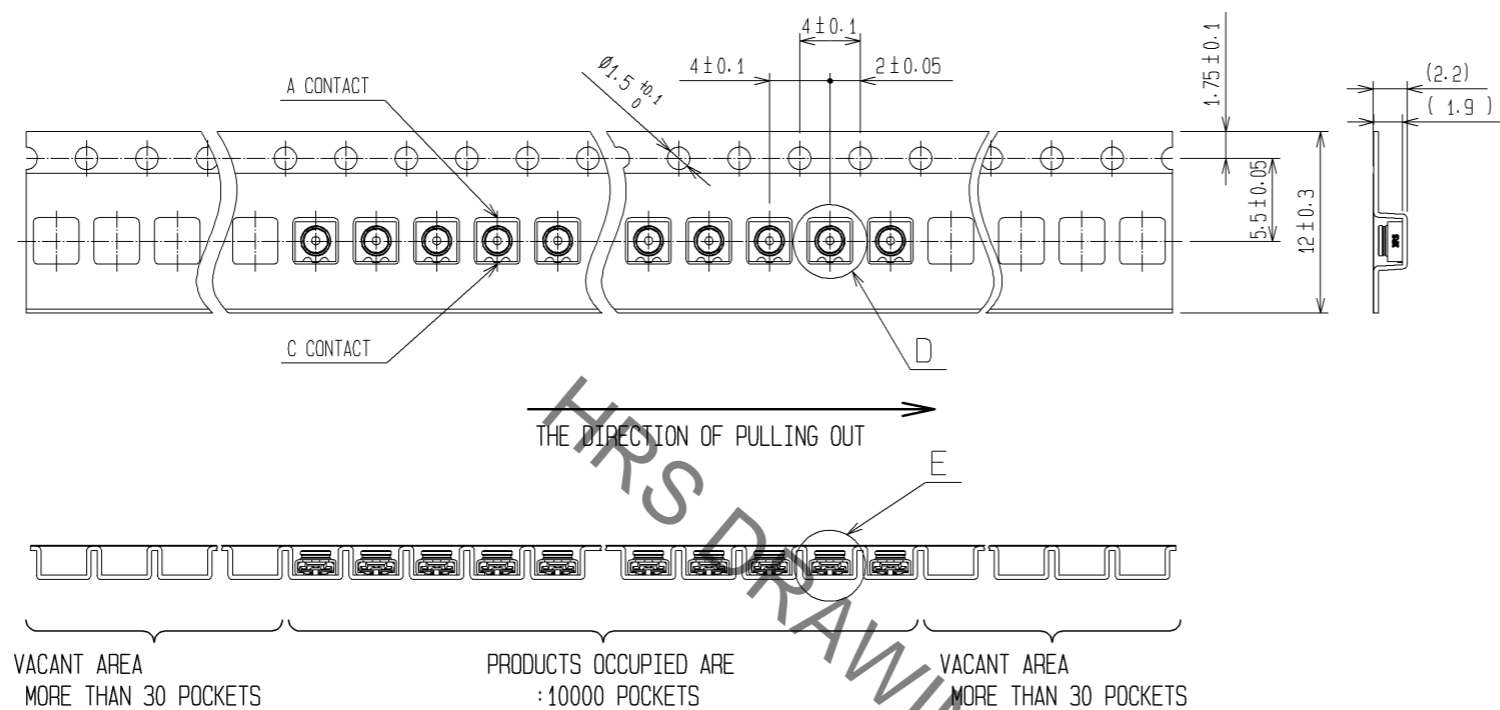
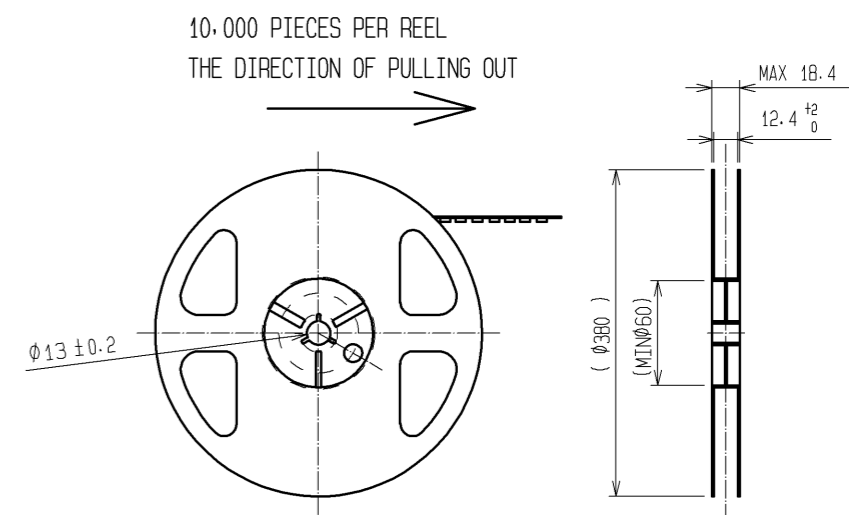


Sep.1.2021 Copyright 2021 HIROSE ELECTRIC CO., LTD. All Rights Reserved.
 In case of consideration for using Automotive equipment / device which demand high reliability, kindly contact our sales window correspondents.

PACKAGING SPECIFICATION

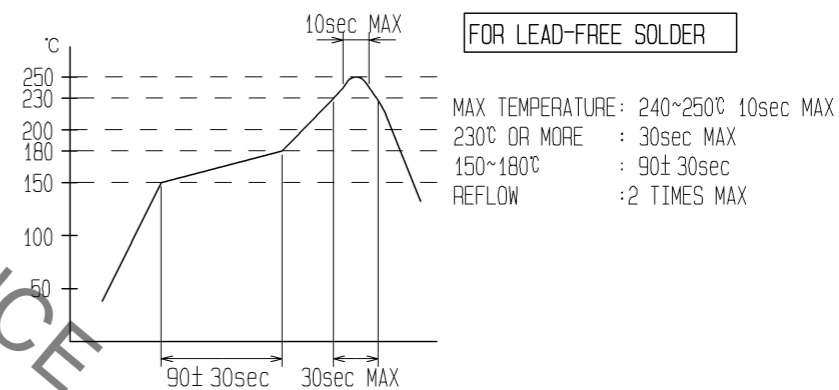


REEL DIMENSIONS(FREE)

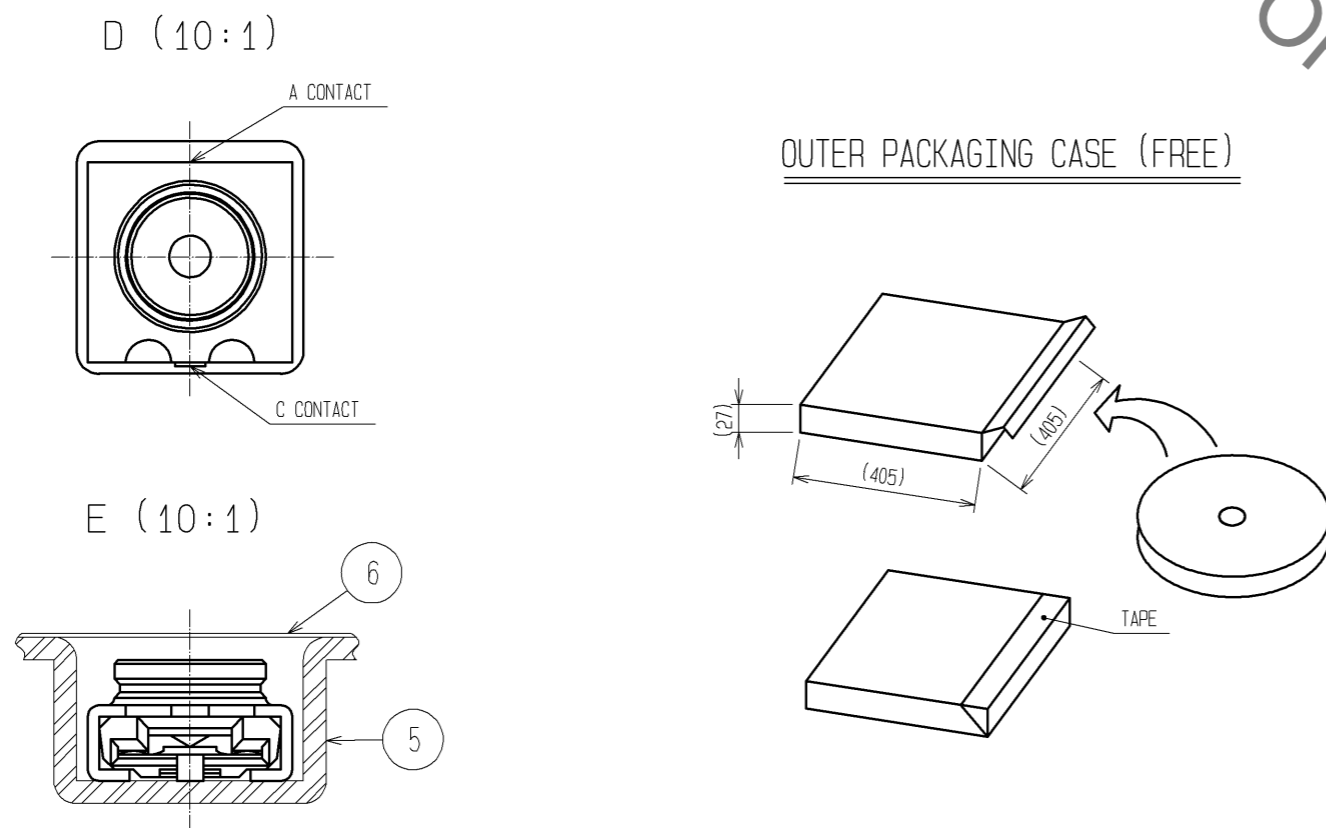


VACANT AREA MORE THAN 30 POCKETS PRODUCTS OCCUPIED ARE : 10000 POCKETS VACANT AREA MORE THAN 30 POCKETS

RECOMMENDED REFLOW TEMPERATURE PROFILE



OUTER PACKAGING CASE (FREE)



HRS	DRAWING NO.	EDC3-180639-00
	PART NO.	MS-156HF
	CODE NO.	CL358-0238-4-00
		△ 2/2

Mouser Electronics

Authorized Distributor

Click to View Pricing, Inventory, Delivery & Lifecycle Information:

[Hirose Electric:](#)

[MS-156HF](#)