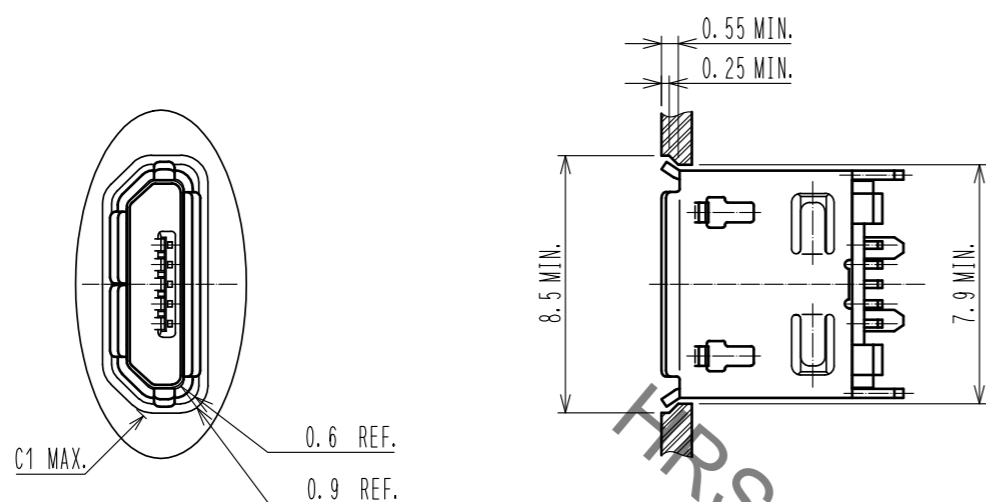
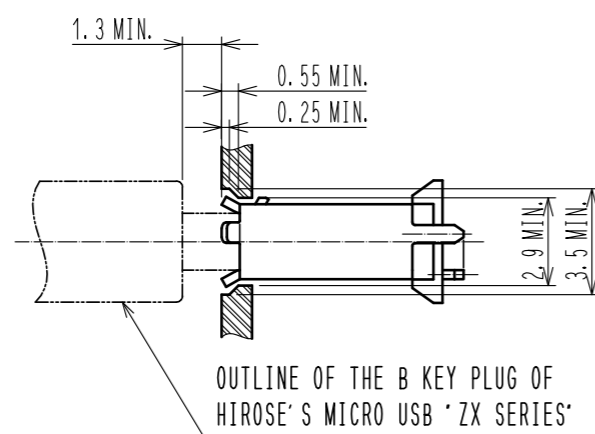


Sep.1.2021 Copyright 2021 HIROSE ELECTRIC CO., LTD. All Rights Reserved.
 In case of consideration for using Automotive equipment / device which demand high reliability, kindly contact our sales window correspondents.

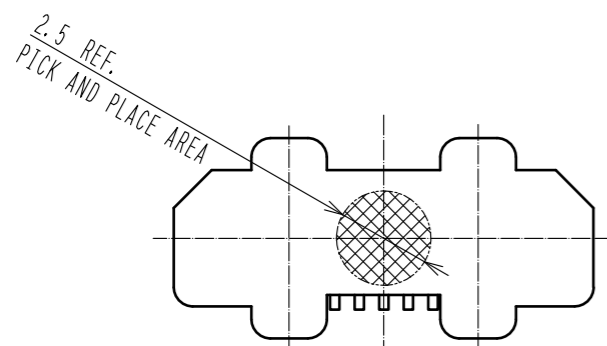
RECOMMENDED PANEL CUTOUT (4:1)



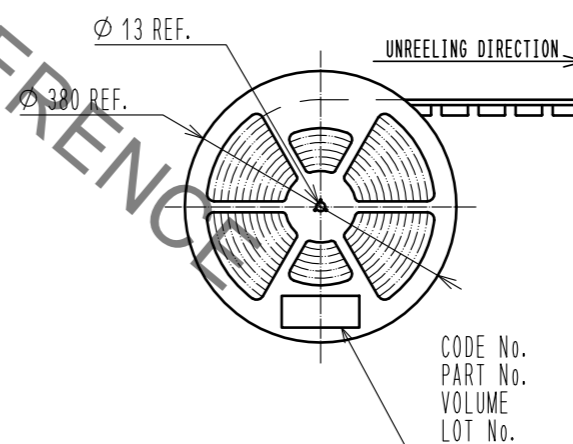
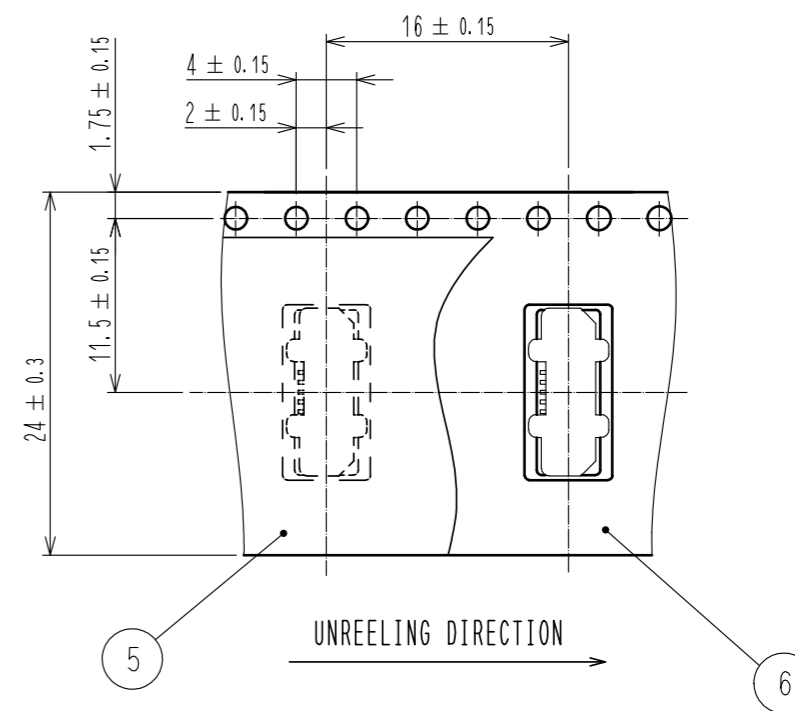
MATED WITH CORRESPONDING PLUG(4:1)



PICK AND PLACE CAP



4 DRAWING FOR PACKING (FREE)



HRS	DRAWING NO.	EDC-126723-31-00
	PART NO.	ZX80-B-5P(31)
	CODE NO.	CL242-0051-0-31
		2/2

Mouser Electronics

Authorized Distributor

Click to View Pricing, Inventory, Delivery & Lifecycle Information:

[Hirose Electric:](#)

[ZX80-B-5P\(31\)](#)