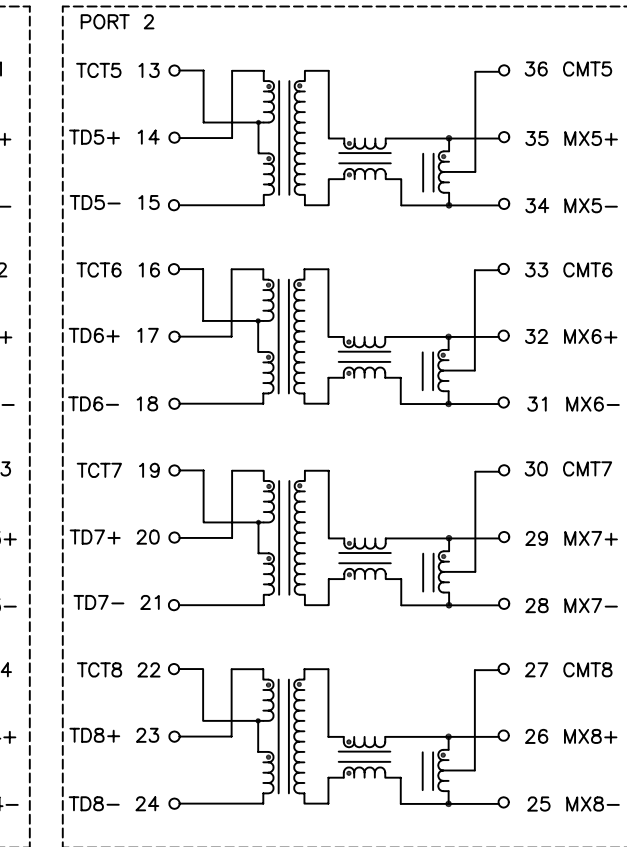


ELECTRICAL CHARACTERISTICS AT +25°C UNLESS OTHER SPECIFIED
MEETS IEEE 802.3 SPECIFICATION

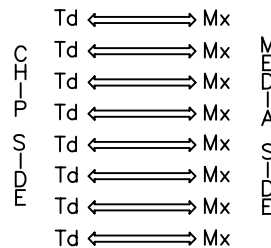


HEMATIC

PARAMETER	SPECIFICATIONS	
OPERATING TEMP	0°C – 70°C	
TURNS RATIO	1.0 ± 2%	
POLARITY	PER SCHEMATIC	
INSERTION LOSS	100 KHz	1–125 MHz
	-1.2 dB MAX	-0.2–0.002*f ^{1.4} dB MAX
RETURN LOSS (Z OUT = 100 OHM ±15%)	.1–40 MHz	40–100 MHz
	-16 dB MIN	-10+20*LOG ₁₀ (f/80 MHz) dB MIN
INDUCTANCE (OCL) (MEDIA SIDE, 0°C–70°C)	350 uH MIN (MEASURED AT 100 KHz, 100 mVRMS AND WITH 8 mA DC BIAS)	
CROSSTALK, ADJACENT CHANNELS	1 MHz	10–100 MHz
	-50 dB MIN	-55+22*LOG ₁₀ (f/10) dB MIN
COMMON MODE REJECTION RATIO	2 MHz	30–200 MHz
	-50 dB MIN	-15+20*LOG ₁₀ (f/200) dB MIN
DC RESISTANCE, 1/2 WINDING	.65 OHMS MAX	
DC RESISTANCE IMBALANCE	±.065 OHMS MAX (CENTER TAP SYMMETRY)	
INPUT – OUTPUT ISOLATION	1500 VRMS MIN @ 60 SECONDS	

NOTE: f IS FREQUENCY IN MHz.

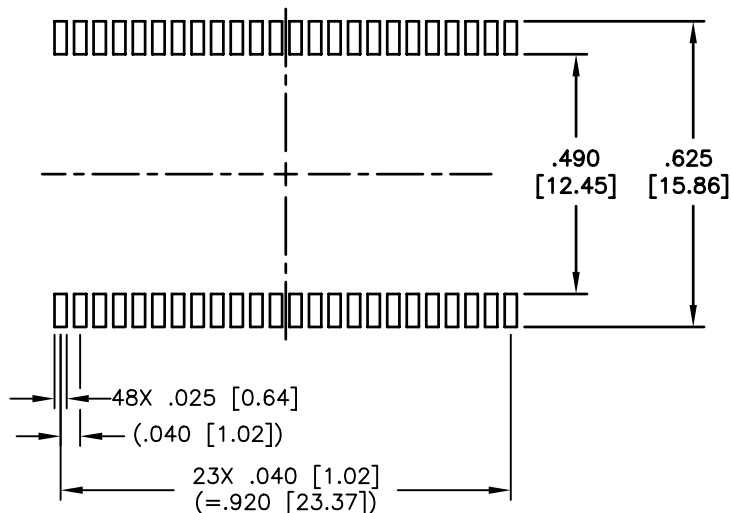
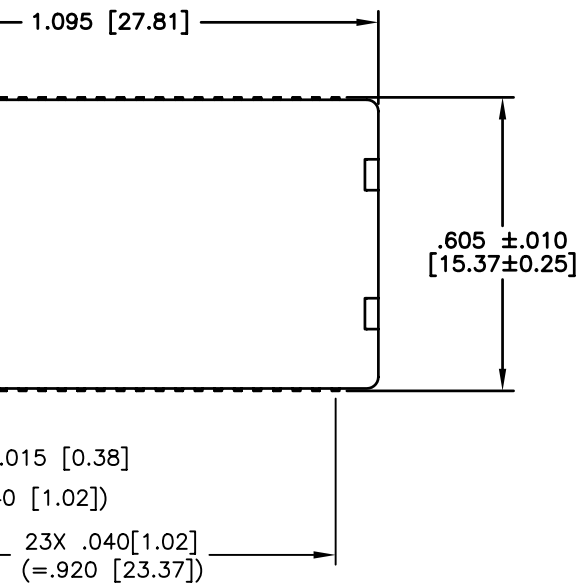
LEGEND



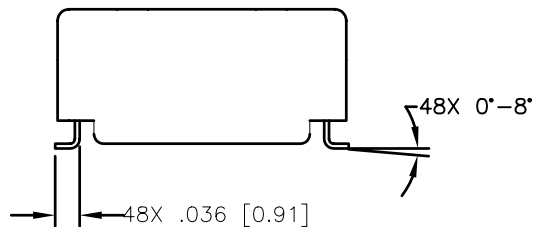
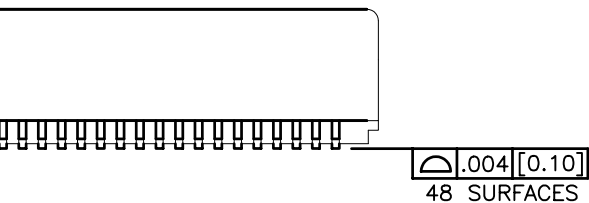
ALL CHANNELS ARE
IN PHASE BETWEEN
INPUT AND OUTPUT

All rights reserved. Pulse confidential & proprietary. (06/26/14)

TLA DRAWING	PS DRAWING	SHEET	PART NO.	DATASHEET REV.
H5012FNL-11	PS-2747.001-B	2 OF 3	H5012FNL	A



SUGGESTED LAND PATTERN



WITH THE FOLLOWING
REFERENCE ONLY.

All rights reserved. Pulse confidential & proprietary. (06/26/14)

PS DRAWING	PS DRAWING	SHEET	PART NO.	DATASHEET REV.
H5012FNL-11	PS-2747.001-B	3 OF 3	H5012FNL	A

Mouser Electronics

Authorized Distributor

Click to View Pricing, Inventory, Delivery & Lifecycle Information:

Pulse:

[H5012FNLT](#) [H5012FNL](#)