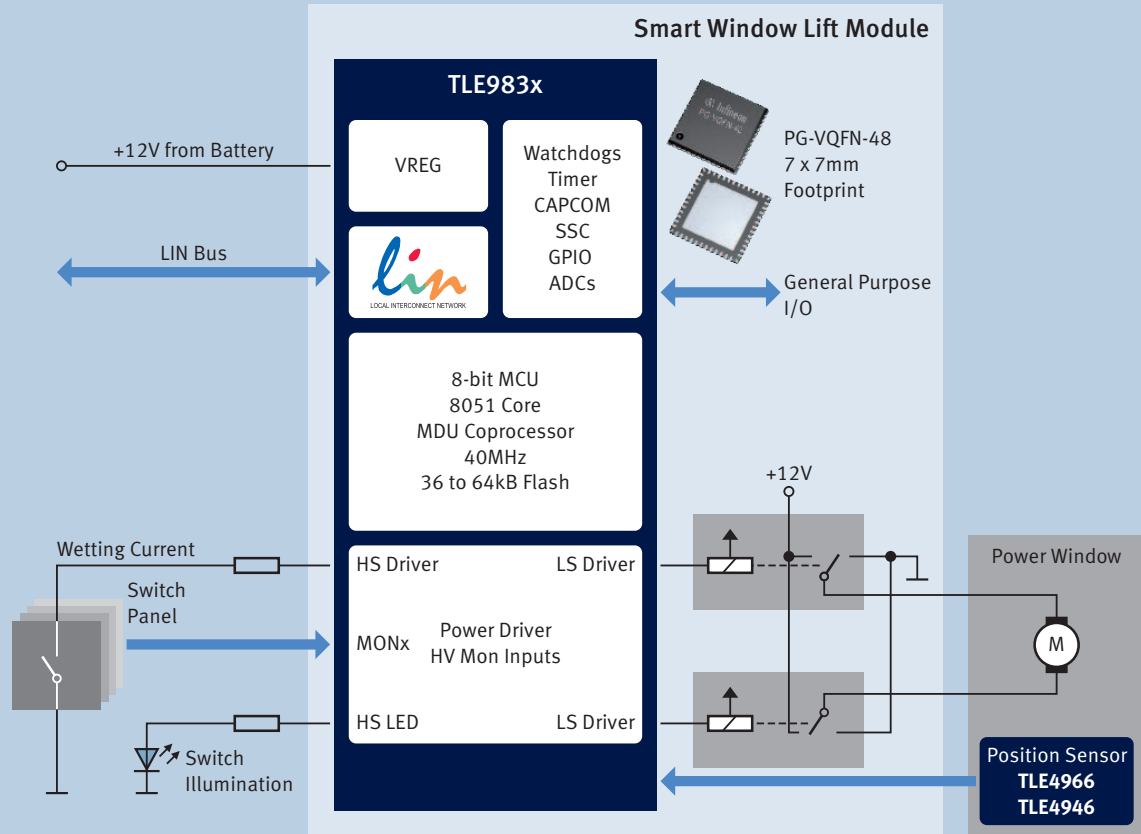


TLE983x System-on-Chip

Smart Window Lift Module



Product Summary

Product P/N	Flash [kB]	Frequency [MHz]	HSS	HV MON	GPIO	OP-AMP	PN MOS DRV
TLE9835QX	64	40	2	5	11	Yes	Yes
TLE9834QX	64	40	2	5	11	No	No
TLE9833QX	48	40	2	5	11	No	No
TLE9832-2QX	36	40	2	5	11	No	No
TLE9832-2QV	36	40	2	5	11	No	No
TLE9832QX	36	40	1	5	11	No	No
TLE9832QV	36	40	1	5	11	No	No
TLE9831QV	36	40	1	5	5	No	No

Published by
Infineon Technologies AG
85579 Neubiberg, Germany

© 2012 Infineon Technologies AG.
All Rights Reserved.

Visit us:
www.infineon.com

Order Number: B127-H9664-G1-X-7600
Date: 02 / 2012

ATTENTION PLEASE!

The information given in this document shall in no event be regarded as a guarantee of conditions or characteristics ("Beschaffenheitsgarantie"). With respect to any examples or hints given herein, any typical values stated herein and/or any information regarding the application of the device, Infineon Technologies hereby disclaims any and all warranties and liabilities of any kind, including without limitation warranties of non-infringement of intellectual property rights of any third party.

INFORMATION

For further information on technology, delivery terms and conditions and prices please contact your nearest Infineon Technologies Office (www.infineon.com).

WARNINGS

Due to technical requirements components may contain dangerous substances. For information on the types in question please contact your nearest Infineon Technologies Office. Infineon Technologies Components may only be used in life-support devices or systems with the express written approval of Infineon Technologies, if a failure of such components can reasonably be expected to cause the failure of that life-support device or system, or to affect the safety or effectiveness of that device or system. Life support devices or systems are intended to be implanted in the human body, or to support and/or maintain and sustain and/or protect human life. If they fail, it is reasonable to assume that the health of the user or other persons may be endangered.

Mouser Electronics

Authorized Distributor

Click to View Pricing, Inventory, Delivery & Lifecycle Information:

Infiniteon:

[TLE9832QXAUMA1](#) [TLE9835QXXUMA1](#) [TLE9832QVAUMA1](#) [TLE9834QXXUMA1](#) [TLE98322QXXUMA1](#)
[TLE9833QXXUMA1](#) [TLE9832QVXUMA2](#) [TLE9832QXXUMA2](#) [TLE9834QXXUMA2](#) [TLE9832QXXUMA1](#)
[TLE98322QVXUMA1](#) [TLE9833QXXUMA2](#) [TLE9832QXXUMA3](#)