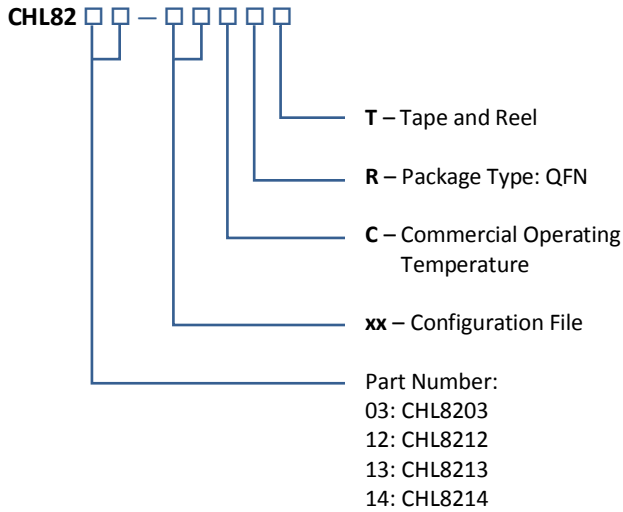


ORDERING INFORMATION



Package	Tape & Reel Qty	Part Number
QFN	3000	CHL8203-00CRT
QFN	3000	CHL8203-xxCRT¹
QFN	3000	CHL8212-00CRT
QFN	3000	CHL8212-xxCRT¹
QFN	3000	CHL8213-00CRT
QFN	3000	CHL8213-xxCRT¹
QFN	3000	CHL8214-00CRT
QFN	3000	CHL8214-xxCRT¹

Notes:

- xx indicates a customer specific configuration file.

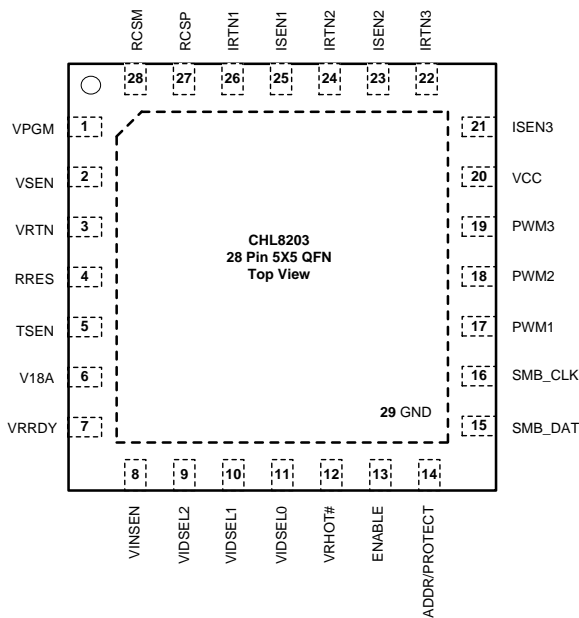


Figure 2: CHL8203 Package Top View

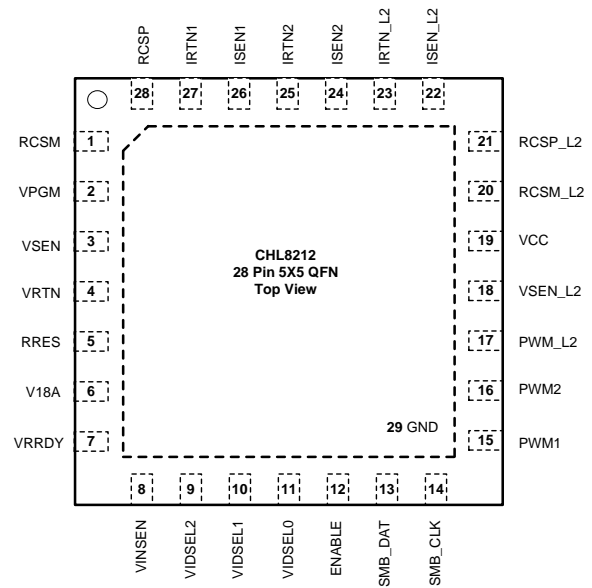


Figure 3: CHL8212 Package Top View

Mouser Electronics

Authorized Distributor

Click to View Pricing, Inventory, Delivery & Lifecycle Information:

[Infineon:](#)

[CHL8203-00CRT](#) [CHL8214-00CRT](#) [CHL8212-00CRT](#) [CHL8213-00CRT](#)