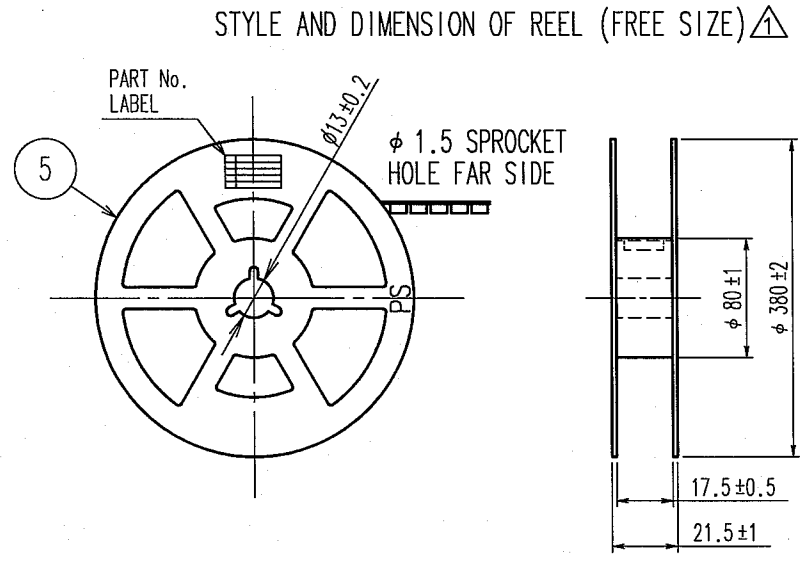
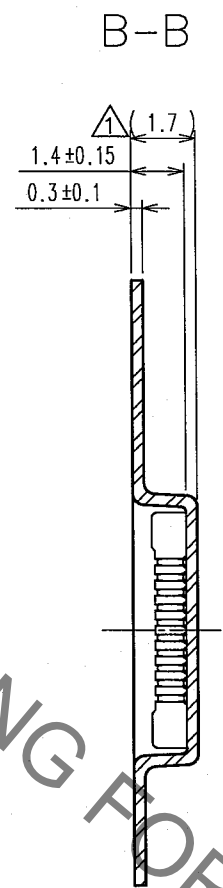
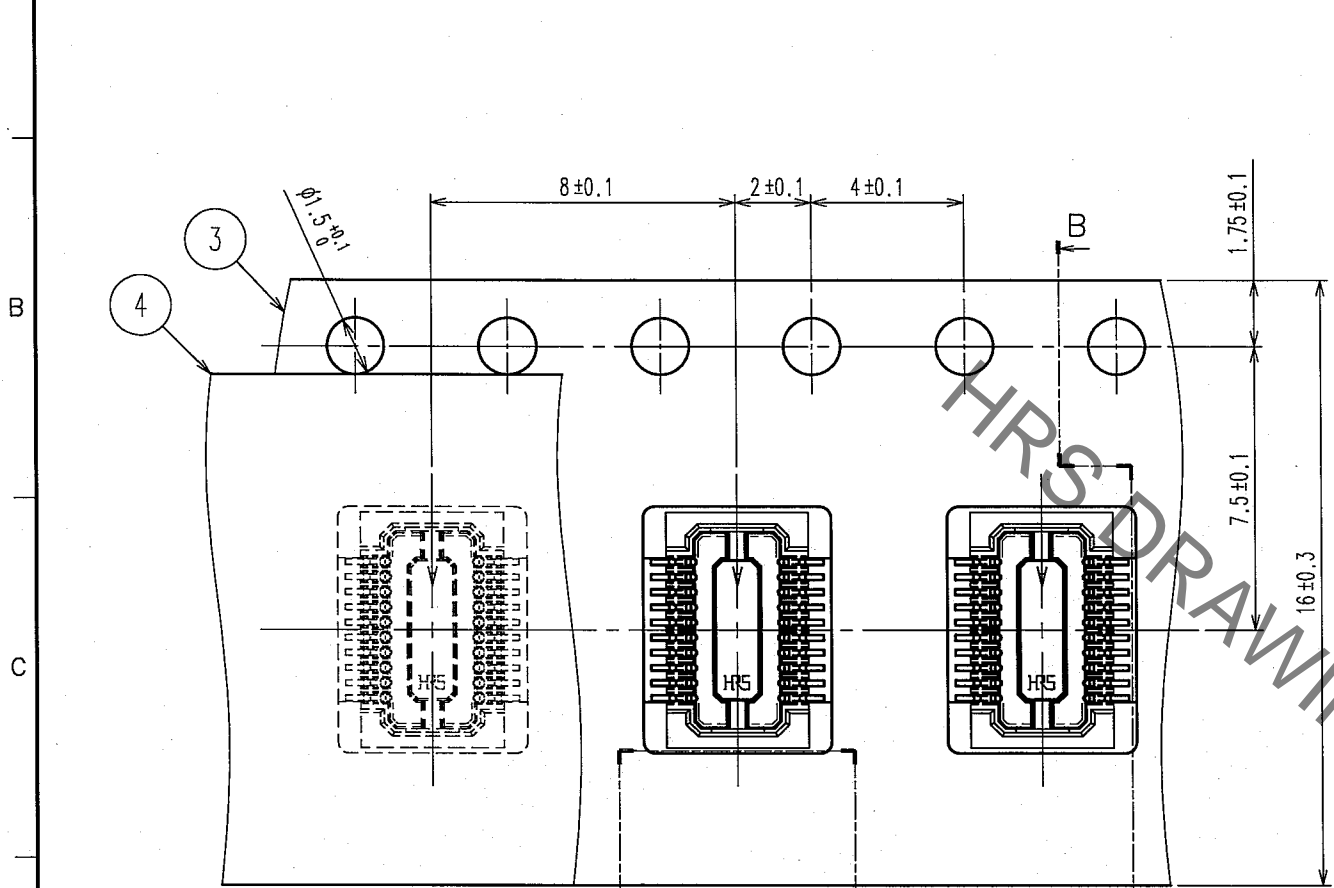


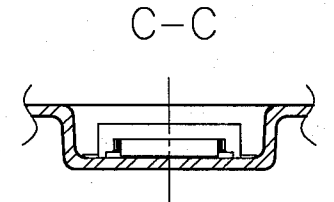
In case of consideration for using Automotive equipment / device which demand high reliability, kindly contact our sales window correspondents.

Sep.1.2021 Copyright 2021 HIROSE ELECTRIC CO., LTD. All Rights Reserved.

5					6					7					8				
COUNT	DESCRIPTION OF REVISIONS				BY	CHKD	DATE	COUNT	DESCRIPTION OF REVISIONS				BY	CHKD	DATE				
△								△											
△								△											
△								△											



→  
DIRECTION OF UNREELING



DETAIL OF PART NO. LABEL

—	SUPPLIER		
—	QUANTITY		
—	PART NO.		
—	CODE NO.		
—	DATE OF MANUFACTURED		
生産月日	年	月	日
図番	CL684-1109-8-81		
品名	DF30FC-20DS-0.4V(81)		
納入数量	5000個		
納入者	ヒロセ電機(株)		

TO

CODE NO. (OLD)	DRAWN	DESIGNED	CHECKED	APPROVED	RELEASED
	T. NISHI	K. MIDORIKAWA	S. TOMIOKA	S. TOMIOKA	
	'04.06.11	'04.06.11	'04.06.11	'04.06.11	
SCALE	DRAWING NO.		PART NO.		
5 : 1	EDC3-303461-03		DF30FC-20DS-0.4V(81)		
UNITS	HRS HIROSE ELECTRIC CO., LTD		CODE NO.		2
mm			CL684-1109-8-81		

# Mouser Electronics

Authorized Distributor

Click to View Pricing, Inventory, Delivery & Lifecycle Information:

[Hirose Electric:](#)

[DF30FC-20DS-0.4V\(81\)](#)