

MAX6332/MAX6333/
MAX6334

3-Pin, Ultra-Low-Voltage, Low-Power
µP Reset Circuits

Absolute Maximum Ratings

| | | |
|---|--|-----------------|
| Terminal Voltage (with respect to GND) | Operating Temperature Range..... | -40°C to +125°C |
| V _{CC} | Storage Temperature Range..... | -65°C to +160°C |
| Push/Pull RESET, $\overline{\text{RESET}}$ | Lead Temperature (soldering, 10s)..... | +300°C |
| Open-Drain RESET..... | Soldering Temperature (reflow) | |
| Input Current (V _{CC})..... | Lead(Pb)-free packages..... | +260°C |
| Output Current (RESET, $\overline{\text{RESET}}$)..... | Packages containing lead (Pb)..... | +240°C |
| Continuous Power Dissipation (T _A = +70°C) | | |
| SOT23-3 (derate 4mW/°C above +70°C)..... | | 320mW |

Stresses beyond those listed under "Absolute Maximum Ratings" may cause permanent damage to the device. These are stress ratings only, and functional operation of the device at these or any other conditions beyond those indicated in the operational sections of the specifications is not implied. Exposure to absolute maximum rating conditions for extended periods may affect device reliability.

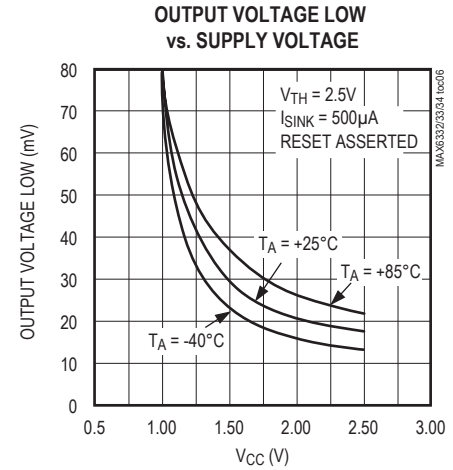
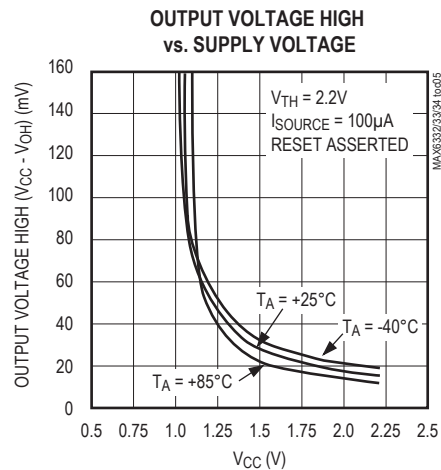
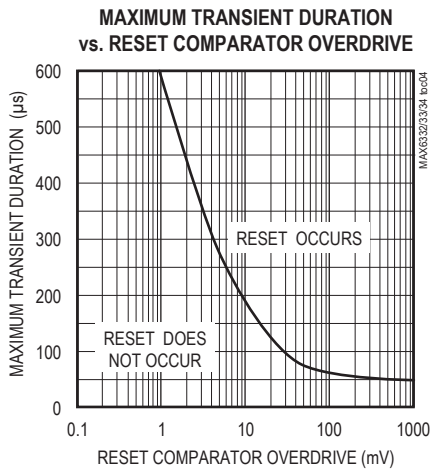
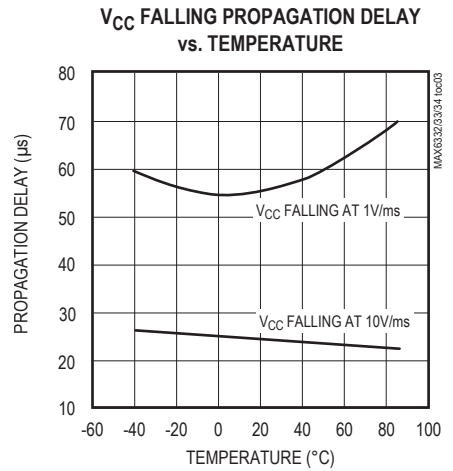
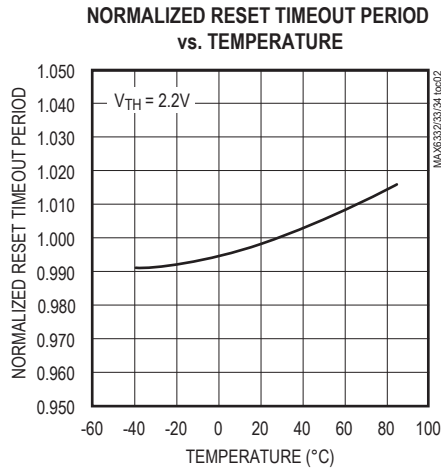
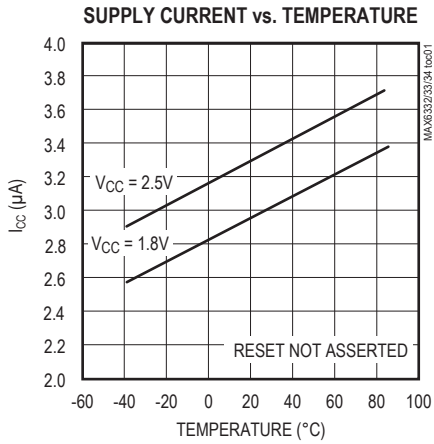
Electrical Characteristics

(V_{CC} = full range, T_A = -40°C to +125°C, unless otherwise noted. Typical values are at T_A = +25°C and V_{CC} = 3V, reset not asserted.)

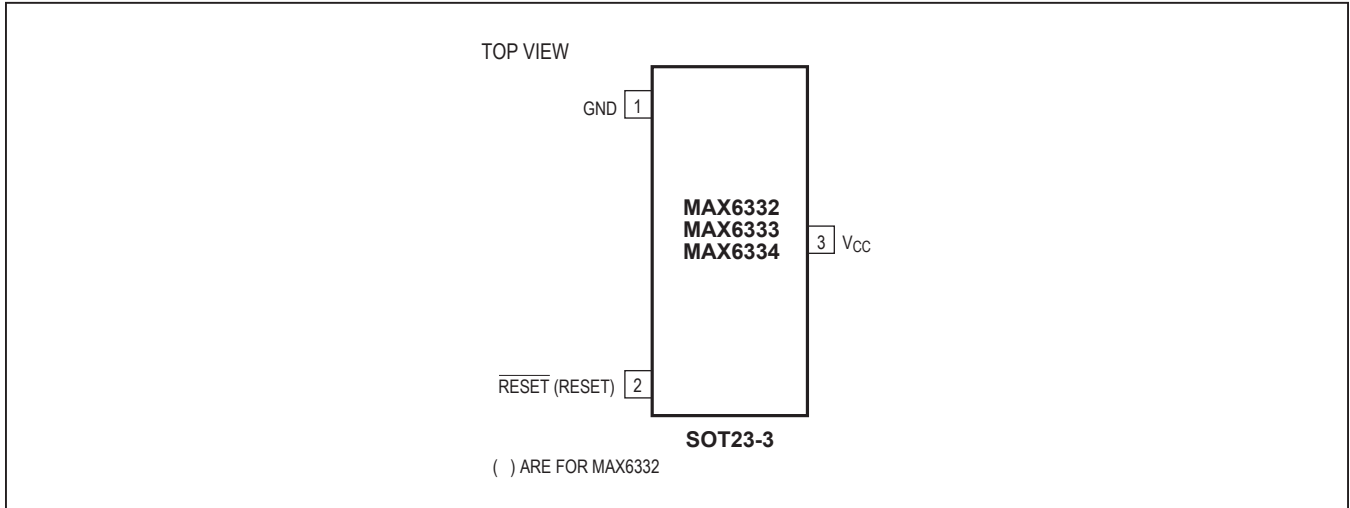
| PARAMETER | SYMBOL | CONDITIONS | | MIN | TYP | MAX | UNITS |
|--|-----------------|--|---|---------------------------|-----------------|---------------------------|-------|
| Supply Voltage Range | V _{CC} | T _A = 0°C to +85°C | MAX6332/MAX6333 | 0.7 | | 5.5 | V |
| | | | MAX6334 | 1.0 | | 5.5 | |
| | | T _A = -40°C to +85°C | MAX6332/MAX6333 | 0.78 | | 5.5 | |
| | | | MAX6334 | 1.2 | | 5.5 | |
| Supply Current | I _{CC} | No load | V _{CC} = 1.8V | | 3.0 | 6.0 | µA |
| | | | V _{CC} = 2.5V | | 3.3 | 7.0 | |
| Reset Threshold | V _{TH} | MAX633_UR__D_-T, Table 1 | T _A = +25°C | V _{TH} - 1.8% | V _{TH} | V _{TH} + 1.8% | V |
| | | | T _A = -40°C to +125°C | V _{TH} - 3% | V _{TH} | V _{TH} + 3% | |
| V _{CC} Falling Reset Delay | | V _{CC} falling at 10V/ms | | | 24 | | µs |
| Reset Active Timeout Period | t _{RP} | MAX633_UR__D1-T | | 1 | 1.5 | 2 | ms |
| | | MAX633_UR__D2-T | | 20 | 30 | 40 | |
| | | MAX633_UR__D3-T | | 100 | 150 | 200 | |
| $\overline{\text{RESET}}$ Output Low Voltage (MAX6333/MAX6334) | V _{OL} | Reset asserted | I _{SINK} = 50µA, V _{CC} ≥ 1.0V | | | 0.4 | V |
| | | | I _{SINK} = 500µA, V _{CC} ≥ 1.8V | | | 0.3 | |
| $\overline{\text{RESET}}$ Output High Voltage (MAX6333) | V _{OH} | Reset not asserted | I _{SOURCE} = 200µA, V _{CC} ≥ 1.8V | 0.8 x V _{CC} | | | V |
| | | | I _{SOURCE} = 500µA, V _{CC} ≥ 2.7V | 0.8 x V _{CC} | | | |
| RESET Output Voltage (MAX6332) | V _{OH} | Reset asserted | I _{SOURCE} = 1µA, V _{CC} ≥ 1.0V | 0.8 x V _{CC} | | | V |
| | | | I _{SOURCE} = 200µA, V _{CC} ≥ 1.8V | 0.8 x V _{CC} | | | |
| | V _{OL} | Reset not asserted | I _{SINK} = 500µA, V _{CC} ≥ 1.8V | | | 0.3 | |
| | | | I _{SINK} = 1.2mA, V _{CC} ≥ 2.7V | | | 0.3 | |
| $\overline{\text{RESET}}$ Output Leakage Current (MAX6334) | | V _{CC} > V _{TH} , $\overline{\text{RESET}}$ not asserted | | | | 0.5 | µA |

Typical Operating Characteristics

(Reset not asserted, $T_A = +25^\circ\text{C}$, unless otherwise noted.)



Pin Configuration



Pin Description

| PIN | | NAME | FUNCTION |
|---------|--------------------|---------------------------|--|
| MAX6332 | MAX6333 MAX6334 | | |
| 1 | 1 | GND | Ground |
| — | 2 | $\overline{\text{RESET}}$ | Active-Low Reset Output. $\overline{\text{RESET}}$ remains low while V_{CC} is below the reset threshold and for a reset timeout period (t_{RP}) after V_{CC} rises above the reset threshold. $\overline{\text{RESET}}$ on the MAX6334 is open-drain. |
| 2 | — | RESET | Active-High Reset Output. RESET remains high while V_{CC} is below the reset threshold and for a reset timeout period (t_{RP}) after V_{CC} rises above the reset threshold. |
| 3 | 3 | V_{CC} | Supply Voltage (0.7V to 5.5V) |

Applications Information

Interfacing to μPs with Bidirectional Reset Pins

Since the $\overline{\text{RESET}}$ output on the MAX6334 is open-drain, this device interfaces easily with μPs that have bidirectional reset pins, such as the Motorola 68HC11. Connecting the μP supervisor's $\overline{\text{RESET}}$ output directly to the microcontroller's (μC's) $\overline{\text{RESET}}$ pin with a single pullup resistor allows either device to assert reset (Figure 1).

Negative-Going V_{CC} Transients

In addition to issuing a reset to the μP during power-up, power-down, and brownout conditions, these devices are relatively immune to short-duration, negative-going V_{CC} transients (glitches). The *Typical Operating Characteristics* show the Maximum Transient Duration vs. Reset Comparator Overdrive graph. The graph shows the maximum pulse width that a negative-going V_{CC} transient may typically have without issuing a reset signal. As the amplitude of the transient increases, the maximum allowable pulse width decreases.

Ensuring a Valid Reset Output Down to $V_{CC} = 0$

When V_{CC} falls below 1V and approaches the minimum operating voltage of 0.7V, push/pull-structured reset sinking (or sourcing) capabilities decrease drastically. High-impedance CMOS-logic inputs connected to the $\overline{\text{RESET}}$ pin can drift to indeterminate voltages. This does not present a problem in most cases, since most μPs and circuitry do not operate at V_{CC} below 1V. For the MAX6333, where $\overline{\text{RESET}}$ must be valid down to 0, adding a pull-down resistor between $\overline{\text{RESET}}$ and GND removes stray leakage currents, holding $\overline{\text{RESET}}$ low (Figure 2a). The pull-down resistor value is not critical; 100kΩ is large enough not to load $\overline{\text{RESET}}$ and small enough to pull it low. For the MAX6332, where RESET must be valid to $V_{CC} = 0$, a 100kΩ pull-up resistor between RESET and V_{CC} will hold RESET high when V_{CC} falls below 0.7V (Figure 2b).

Since the MAX6334 has an open-drain, active-low output, it typically uses a pull-up resistor. With this device, RESET will most likely not maintain an active condition, but will drift to a non-active level due to the pull-up resistor and the reduced sinking capability of the open-drain device. Therefore, this device is not recommended for applications where the $\overline{\text{RESET}}$ pin is required to be valid down to $V_{CC} = 0$.

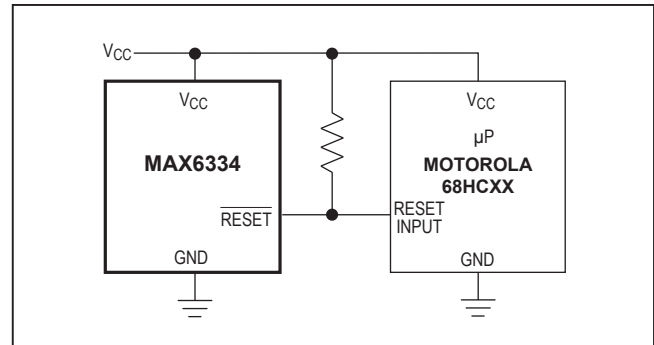


Figure 1. Interfacing to μPs with Bidirectional Reset Pins

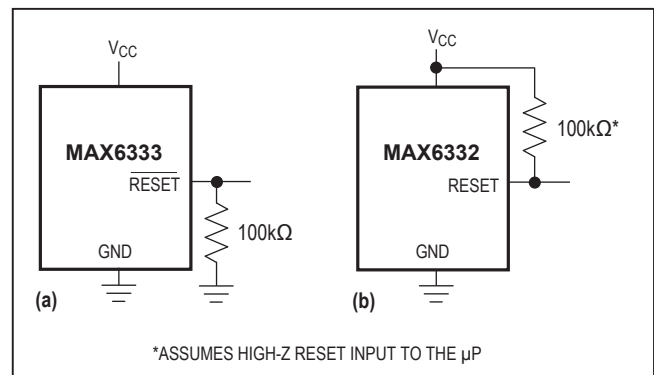


Figure 2. Ensuring Reset Valid Down to $V_{CC} = 0$

Table 1. Factory-Trimmed Reset Thresholds*

| RESET-THRESHOLD SUFFIX | $T_A = +25^\circ\text{C}$ | | | $T_A = -40^\circ\text{C}$ to $+125^\circ\text{C}$ BIT 4 | |
|------------------------|---------------------------|------|------|---|------|
| | MIN | TYP | MAX | MIN | MAX |
| MAX633_UR25D_ | 2.46 | 2.50 | 2.55 | 2.43 | 2.58 |
| MAX633_UR24D_ | 2.36 | 2.40 | 2.44 | 2.33 | 2.47 |
| MAX633_UR23D_ | 2.26 | 2.30 | 2.34 | 2.23 | 2.37 |
| MAX633_UR22D_ | 2.16 | 2.20 | 2.24 | 2.13 | 2.27 |
| MAX633_UR21D_ | 2.06 | 2.10 | 2.14 | 2.04 | 2.16 |
| MAX633_UR20D_ | 1.96 | 2.00 | 2.04 | 1.94 | 2.06 |
| MAX633_UR19D_ | 1.87 | 1.90 | 1.93 | 1.84 | 1.96 |
| MAX633_UR18D_ | 1.77 | 1.80 | 1.83 | 1.75 | 1.85 |
| MAX633_UR17D_ | 1.67 | 1.70 | 1.73 | 1.65 | 1.75 |
| MAX633_UR16D_ | 1.57 | 1.60 | 1.63 | 1.55 | 1.65 |

*Factory-trimmed reset thresholds are available in approximately 100mV increments, with a $\pm 1.8\%$ room-temperature variance.

Selector Guide (Standard Versions*)

| PART | OUTPUT STAGE | NOMINAL V_{TH} (V) | MINIMUM RESET TIMEOUT (ms) | SOT TOP MARK |
|-------------------------|--------------------------------------|----------------------|----------------------------|--------------|
| MAX6332 UR23D3-T | Push/Pull RESET | 2.30 | 100 | FZDM |
| MAX6332UR22D3-T | Push/Pull RESET | 2.20 | 100 | FZCN |
| MAX6332UR20D3-T | Push/Pull RESET | 2.00 | 100 | FZDL |
| MAX6332UR18D3-T | Push/Pull RESET | 1.80 | 100 | FZCM |
| MAX6332UR16D3-T | Push/Pull RESET | 1.60 | 100 | FZCL |
| MAX6333 UR23D3-T | Push/Pull $\overline{\text{RESET}}$ | 2.30 | 100 | FZCS |
| MAX6333UR22D3-T | Push/Pull $\overline{\text{RESET}}$ | 2.20 | 100 | FZCR |
| MAX6333UR20D3-T | Push/Pull $\overline{\text{RESET}}$ | 2.00 | 100 | FZCQ |
| MAX6333UR18D3-T | Push/Pull $\overline{\text{RESET}}$ | 1.80 | 100 | FZCP |
| MAX6333UR16D3-T | Push/Pull $\overline{\text{RESET}}$ | 1.60 | 100 | FZCO |
| MAX6334 UR23D3-T | Open-Drain $\overline{\text{RESET}}$ | 2.30 | 100 | FZDO |
| MAX6334UR22D3-T | Open-Drain $\overline{\text{RESET}}$ | 2.20 | 100 | FZCV |
| MAX6334UR20D3-T | Open-Drain $\overline{\text{RESET}}$ | 2.00 | 100 | FZDN |
| MAX6334UR18D3-T | Open-Drain $\overline{\text{RESET}}$ | 1.80 | 100 | FZCU |
| MAX6334UR16D3-T | Open-Drain $\overline{\text{RESET}}$ | 1.60 | 100 | FZCT |

*Sample stock is generally held on all standard versions.

Ordering Information

| PART | TEMP RANGE | PIN-PACKAGE |
|-------------------------|-----------------|-------------|
| MAX6332 UR__D__T | -40°C to +125°C | 3 SOT23 |
| MAX6333 UR__D__T | -40°C to +125°C | 3 SOT23 |
| MAX6334 UR__D__T | -40°C to +125°C | 3 SOT23 |

*These devices are available in factory-set V_{CC} reset thresholds from 1.6V to 2.5V, in approximately 0.1V increments. Choose the desired reset threshold suffix from Table 1 and insert it in the blanks following "UR" in the part number. Factory-programmed reset timeout periods are also available. Insert the number corresponding to the desired nominal reset timeout period (1 = 1ms min, 2 = 20ms min, 3 = 100ms min) in the blank following "D" in the part number. There are 15 standard versions with a required order increment of 2500 pieces. Sample stock is generally held on the standard versions only (see Selector Guide). Contact the factory for availability of nonstandard versions (required order increment is 10,000 pieces). All devices available in tape-and-reel only.

Devices are available in both leaded and lead-free packaging. Specify lead-free by replacing "-T" with "+T" when ordering.

Package Information

For the latest package outline information and land patterns (footprints), go to www.maximintegrated.com/packages. Note that a "+", "#", or "-" in the package code indicates RoHS status only. Package drawings may show a different suffix character, but the drawing pertains to the package regardless of RoHS status.

| PACKAGE TYPE | PACKAGE CODE | OUTLINE NO. | LAND PATTERN NO. |
|--------------|--------------|-------------------------|-------------------------|
| 3 SOT23 | U3+1 | 21-0051 | 90-0179 |

Revision History

| REVISION NUMBER | REVISION DATE | DESCRIPTION | PAGES CHANGED |
|-----------------|---------------|--|---------------|
| 0 | 12/98 | Initial release | — |
| 1 | 6/00 | Revised <i>Ordering Information</i> , <i>Absolute Maximum Ratings</i> , <i>Electrical Characteristics</i> , and Table 1. | 1, 2, 4 |
| 2 | 12/05 | Revised <i>Ordering Information</i> to add lead-free information. | 1 |
| 3 | 6/12 | Update <i>Ordering Information</i> with automotive part. | 1 |
| 4 | 2/16 | Updated <i>Ordering Information</i> table and <i>Applications</i> section | 1 |

For pricing, delivery, and ordering information, please contact Maxim Direct at 1-888-629-4642, or visit Maxim Integrated's website at www.maximintegrated.com.

Maxim Integrated cannot assume responsibility for use of any circuitry other than circuitry entirely embodied in a Maxim Integrated product. No circuit patent licenses are implied. Maxim Integrated reserves the right to change the circuitry and specifications without notice at any time. The parametric values (min and max limits) shown in the *Electrical Characteristics* table are guaranteed. Other parametric values quoted in this data sheet are provided for guidance.

Mouser Electronics

Authorized Distributor

Click to View Pricing, Inventory, Delivery & Lifecycle Information:

Maxim Integrated:

[MAX6333UR21D1+T](#) [MAX6332UR16D1+T](#) [MAX6332UR16D2+T](#) [MAX6332UR16D3+T](#) [MAX6332UR17D1+T](#)
[MAX6332UR17D2+T](#) [MAX6332UR17D3+T](#) [MAX6332UR18D1+T](#) [MAX6332UR18D2+T](#) [MAX6332UR18D3+T](#)
[MAX6332UR19D1+T](#) [MAX6332UR19D2+T](#) [MAX6332UR20D1+T](#) [MAX6332UR20D2+T](#) [MAX6332UR20D3+T](#)
[MAX6332UR21D1+T](#) [MAX6332UR21D2+T](#) [MAX6332UR21D3+T](#) [MAX6332UR22D1+T](#) [MAX6332UR22D2+T](#)
[MAX6332UR22D3+T](#) [MAX6332UR23D1+T](#) [MAX6332UR23D2+T](#) [MAX6332UR23D3+T](#) [MAX6332UR24D1+T](#)
[MAX6332UR24D2+T](#) [MAX6332UR24D3+T](#) [MAX6332UR25D1+T](#) [MAX6332UR25D2+T](#) [MAX6332UR25D3+T](#)
[MAX6333UR16D1+T](#) [MAX6333UR16D2+T](#) [MAX6333UR16D3+T](#) [MAX6333UR17D1+T](#) [MAX6333UR17D2+T](#)
[MAX6333UR17D3+T](#) [MAX6333UR18D1+T](#) [MAX6333UR18D2+T](#) [MAX6333UR18D3+T](#) [MAX6333UR19D1+T](#)
[MAX6333UR19D2+T](#) [MAX6333UR19D3+T](#) [MAX6333UR20D1+T](#) [MAX6333UR20D2+T](#) [MAX6333UR20D3+T](#)
[MAX6333UR21D2+T](#) [MAX6333UR21D3+T](#) [MAX6333UR22D1+T](#) [MAX6333UR22D2+T](#) [MAX6333UR22D3+T](#)
[MAX6333UR23D1+T](#) [MAX6333UR23D2+T](#) [MAX6333UR23D3+T](#) [MAX6333UR24D1+T](#) [MAX6333UR24D2+T](#)
[MAX6333UR24D3+T](#) [MAX6333UR25D1+T](#) [MAX6333UR25D2+T](#) [MAX6333UR25D3+T](#) [MAX6334UR16D1+T](#)
[MAX6334UR16D2+T](#) [MAX6334UR16D3+T](#) [MAX6334UR17D1+T](#) [MAX6334UR17D2+T](#) [MAX6334UR17D3+T](#)
[MAX6334UR18D1+T](#) [MAX6334UR18D2+T](#) [MAX6334UR18D3+T](#) [MAX6334UR19D1+T](#) [MAX6334UR19D2+T](#)
[MAX6334UR19D3+T](#) [MAX6334UR20D1+T](#) [MAX6334UR20D2+T](#) [MAX6334UR20D3+T](#) [MAX6334UR21D1+T](#)
[MAX6334UR21D2+T](#) [MAX6334UR21D3+T](#) [MAX6334UR22D1+T](#) [MAX6334UR22D2+T](#) [MAX6334UR22D3+T](#)
[MAX6334UR23D1+T](#) [MAX6334UR23D2+T](#) [MAX6334UR23D3+T](#) [MAX6334UR24D1+T](#) [MAX6334UR24D2+T](#)
[MAX6334UR24D3+T](#) [MAX6334UR25D1+T](#) [MAX6334UR25D2+T](#) [MAX6334UR25D3+T](#)