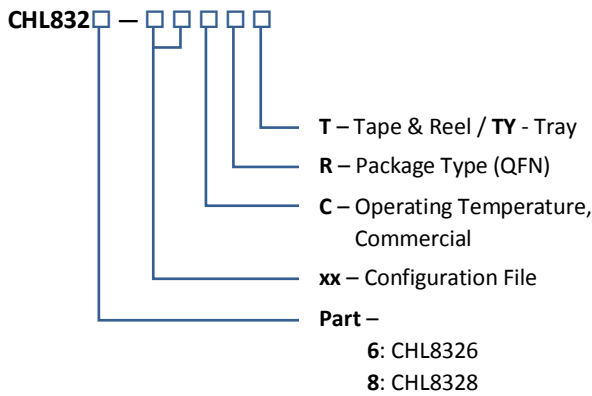
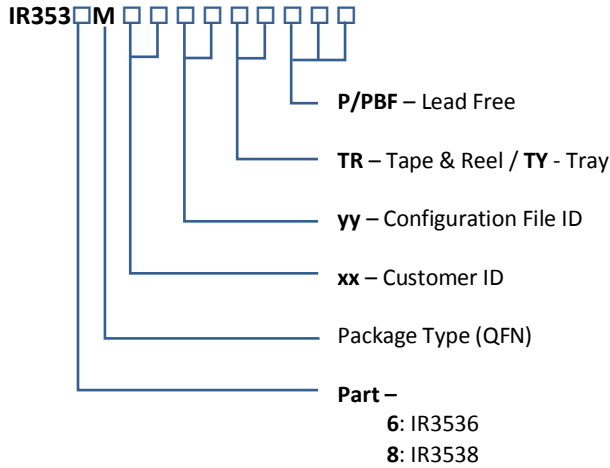


ORDERING INFORMATION



Package	Packing Qty	Part Number	Programming
QFN	TR=3000	IR3536MTRPBF	Default
	TY=2600	IR3536MTYPBF	
QFN	TR=3000	IR3538MTRPBF	Default
	TY=2600	IR3538MTYPBF	
QFN	TR=3000	IR3536MxxyyTRP¹	Customer Configuration
QFN	TR=3000	IR3538MxxyyTRP¹	Customer Configuration

Notes:

1. Customer Specific Configuration File, where xx = Customer ID and yy = Configuration File (Codes assigned by IR Marketing).

Package	Packing Qty	Part Number
QFN	T=3000	CHL8326-00CRT
	TY=2600	CHL8326-00CRTY
QFN	T=3000	CHL8326-xxCRT¹
QFN	T=3000	CHL8328-00CRT
	TY=2600	CHL8328-00CRTY
QFN	T=3000	CHL8328-xxCRT¹

Notes:

1. "xx" indicates a customer specific configuration file.

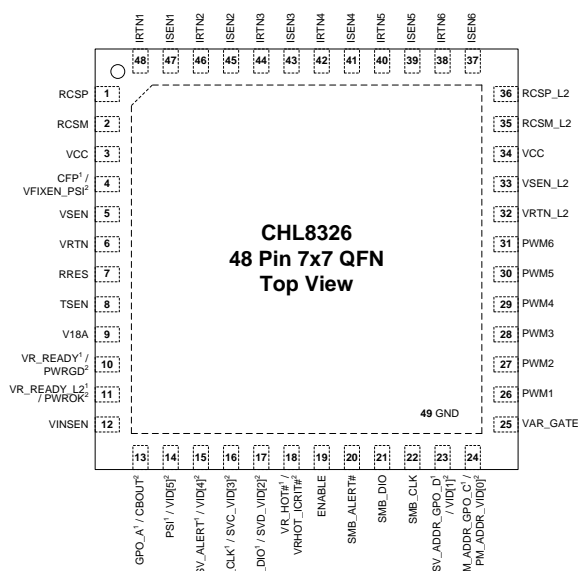


Figure 3: IR3536/CHL8326 Package Top View, Enlarged

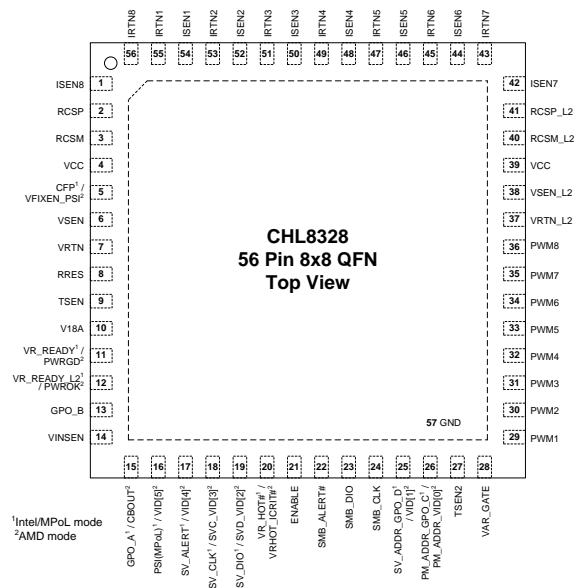


Figure 4: IR3538/CHL8328 Package Top View, Enlarged

FUNCTIONAL BLOCK DIAGRAM

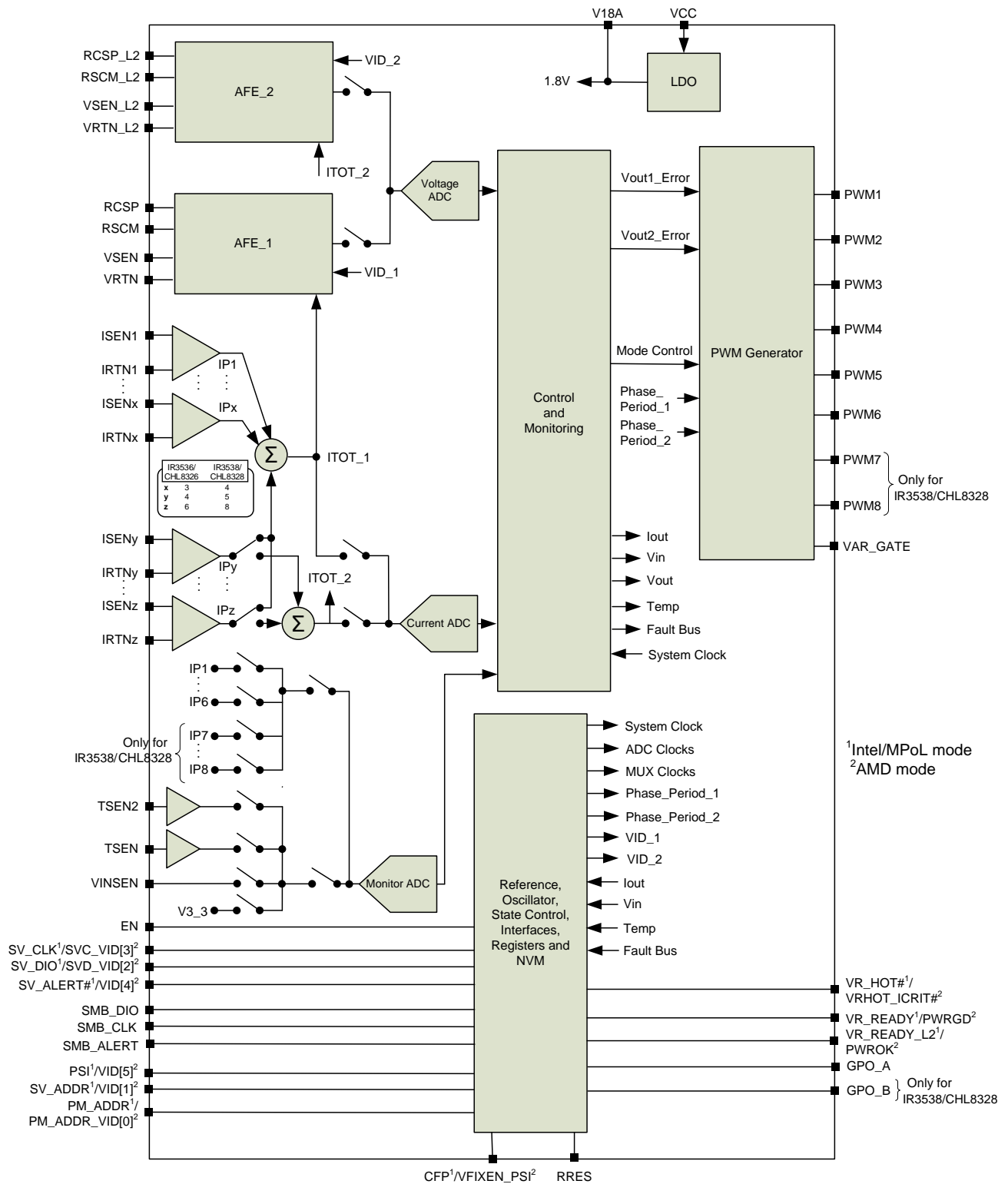


Figure 5: IR3536/CHL8326 and CHL8328 Functional Block Diagram

Mouser Electronics

Authorized Distributor

Click to View Pricing, Inventory, Delivery & Lifecycle Information:

[Infineon:](#)

[IR3536MTRPBF](#) [IR3538MTRPBF](#) [CHL8326-00CRT](#) [CHL8328-00CRT](#)