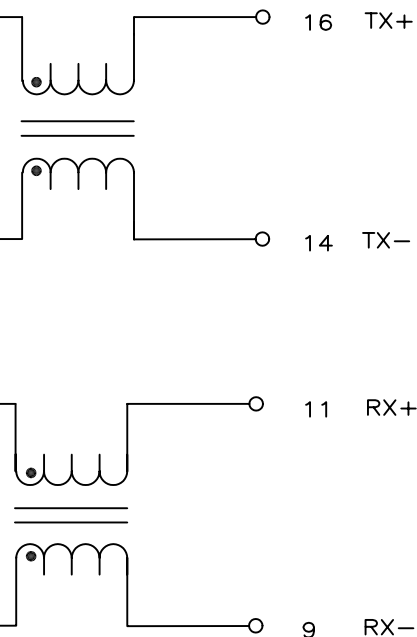


ELECTRICAL CHARACTERISTICS AT +25°C UNLESS OTHER SPECIFIED  
 MEETS IEEE 802.3 SPECIFICATION



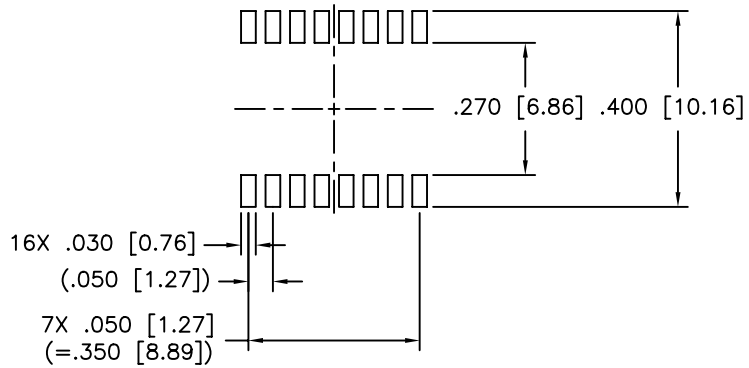
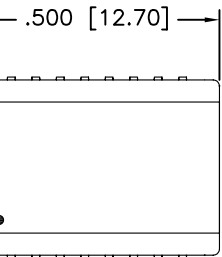
SCHEMATIC

PARAMETER	SPECIFICATIONS		
OPERATING TEMPERATURE	0°C – 70 °C		
TURNS RATIO	1 : 1 ±2%		
POLARITY	PER SCHEMATIC		
INSERTION LOSS	100 KHz	1–125 MHz	
	-1.2 dB MAX	-0.2–0.002*f <sup>1.4</sup> dB MAX	
RETURN LOSS, 100BT (Z OUT = 100 OHM ±15%)	.1–30 MHz	30–60 MHz	60–80 MHz
	-16 dB MIN	-10+20*LOG <sub>10</sub> (f/60 MHz) dB MIN	-10 dB MIN
INDUCTANCE (OCL) (MEDIA SIDE, 0°C–70°C)	350 uH MIN (MEASURED AT 100 KHz, 100 mVRMS) (AND WITH 8 mA DC BIAS)		
CROSSTALK, ADJACENT CHANNELS	1 MHz	10–100 MHz	
	-50 dB MIN	-55+22*LOG <sub>10</sub> (f/10) dB MIN	
COMMON MODE REJECTION RATIO	2 MHz	30–200 MHz	
	-50 dB MIN	-15+20*LOG <sub>10</sub> (f/200) dB MIN	
DC RESISTANCE, 1/2 WINDING	.65 OHMS MAX		
DC RESISTANCE IMBALANCE	±.065 OHMS MAX (CENTER TAP SYMMETRY)		
INPUT – OUTPUT ISOLATION	1500 VRMS MIN @ 60 SECONDS		

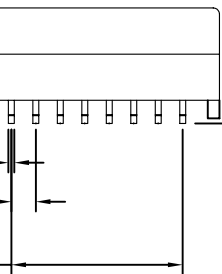
NOTE: f IS FREQUENCY IN MHz.

All rights reserved. Pulse confidential & proprietary. (06/12/14)

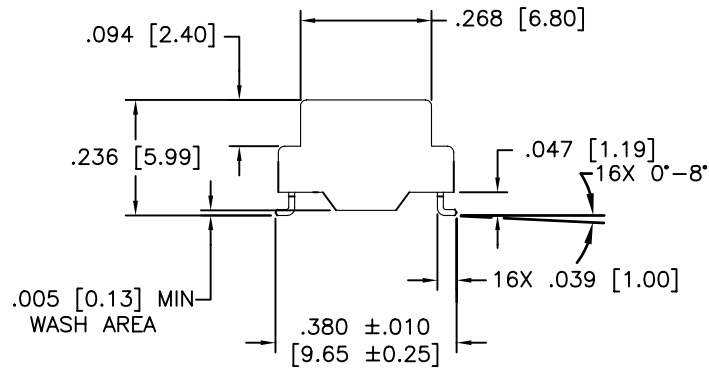
DLA DRAWING	PS DRAWING	SHEET	PART NO.	DATASHEET REV.
H1260FNL-12	PS-2005.002-D	2 OF 3	H1260FNL	A



SUGGESTED LAND PATTERN



$\Delta$  .004 [0.10]  
16 SURFACES



WITH THE FOLLOWING  
REFERENCE ONLY.

All rights reserved. Pulse confidential & proprietary. (06/12/14)

DRAWING	PS DRAWING	SHEET	PART NO.	DATASHEET REV.
H1260FNL-12	PS-2005.002-D	3 OF 3	H1260FNL	A

# Mouser Electronics

Authorized Distributor

Click to View Pricing, Inventory, Delivery & Lifecycle Information:

Pulse:

[H1260FNLT](#) [HX1260FNLT](#)