

# Fast, Low-Voltage, Dual 4Ω SPDT CMOS Analog Switches

## ABSOLUTE MAXIMUM RATINGS

(Voltages Referenced to GND)

|  |                      |
|--|----------------------|
| V+, IN_  | -0.3V to +6V         |
| COM_, NC_, NO_ (Note 1)  | -0.3V to (V+ + 0.3V) |
| Continuous Current into Any Terminal                             | ±30mA                |
| Peak Current into COM_, NC_, NO_ (pulsed at 1ms, 10% duty cycle) | ±100mA               |

Continuous Power Dissipation (T<sub>A</sub> = +70°C)

|  |                 |
|--|-----------------|
| 10-Pin μMAX (derate 4.7mW/°C above +70°C)      | 330mW           |
| 10-Pin Thin QFN (derate 24.4mW/°C above +70°C) | 1951mW          |
| Operating Temperature Range                    | -40°C to +85°C  |
| Storage Temperature Range                      | -65°C to +150°C |
| Lead Temperature (soldering, 10s)              | +300°C          |

**Note 1:** Signals on NO\_, NC\_, or COM\_ exceeding V+ or GND are clamped by internal diodes. Limit forward-diode current to maximum current rating.

Stresses beyond those listed under "Absolute Maximum Ratings" may cause permanent damage to the device. These are stress ratings only, and functional operation of the device at these or any other conditions beyond those indicated in the operational sections of the specifications is not implied. Exposure to absolute maximum rating conditions for extended periods may affect device reliability.

## ELECTRICAL CHARACTERISTICS—Single +5V Supply

(V+ = +4.5V to +5.5V, V<sub>IH</sub> = +2.4V, V<sub>IL</sub> = +0.8V, T<sub>A</sub> = T<sub>MIN</sub> to T<sub>MAX</sub>, unless otherwise noted. Typical values are at T<sub>A</sub> = +25°C.) (Notes 2, 9)

| PARAMETER   | SYMBOL  | CONDITIONS   | MIN   | TYP  | MAX   | UNITS |    |
|---|---|--|---|------|-------|-------|----|
| <b>ANALOG SWITCH</b>                              |   |  |   |      |       |       |    |
| Analog Signal Range                               | V <sub>COM_</sub> ,<br>V <sub>NO_</sub> ,<br>V <sub>NC_</sub> |  | 0   |      | V+    | V     |    |
| On-Resistance                                     | R <sub>ON</sub>   | V+ = 4.5V, I <sub>COM_</sub> = 10mA,<br>V <sub>NO_</sub> or V <sub>NC_</sub> = 0 to V+                     | T <sub>A</sub> = +25°C                                | 2.5  | 4     | Ω     |    |
|   |   |  | T <sub>A</sub> = T <sub>MIN</sub> to T <sub>MAX</sub> |      | 4.5   |       |    |
| On-Resistance Match Between Channels (Notes 3, 4) | ΔR <sub>ON</sub>  | V+ = 4.5V, I <sub>COM_</sub> = 10mA,<br>V <sub>NO_</sub> or V <sub>NC_</sub> = 0 to V+                     | T <sub>A</sub> = +25°C                                | 0.1  | 0.2   | Ω     |    |
|   |   |  | T <sub>A</sub> = T <sub>MIN</sub> to T <sub>MAX</sub> |      | 0.4   |       |    |
| On-Resistance Flatness (Note 5)                   | R <sub>FLAT(ON)</sub>   | V+ = 4.5V, I <sub>COM_</sub> = 10mA,<br>V <sub>NO_</sub> or V <sub>NC_</sub> = 0 to V+                     | T <sub>A</sub> = +25°C                                | 0.5  | 1     | Ω     |    |
|   |   |  | T <sub>A</sub> = T <sub>MIN</sub> to T <sub>MAX</sub> |      | 1.2   |       |    |
| NO_, NC_ Off-Leakage Current (Note 6)             | I <sub>NC_(OFF)</sub> ,<br>I <sub>NO_(OFF)</sub>              | V+ = 5.5V; V <sub>COM_</sub> = 1V,<br>4.5V; V <sub>NO_</sub> or V <sub>NC_</sub> = 4.5V,<br>1V             | T <sub>A</sub> = +25°C                                | -0.1 | ±0.01 | 0.1   | nA |
|   |   |  | T <sub>A</sub> = T <sub>MIN</sub> to T <sub>MAX</sub> | -0.3 |       | 0.3   |    |
| COM_ Off-Leakage Current (Note 6)                 | I <sub>COM_(OFF)</sub>  | V+ = 5.5V; V <sub>COM_</sub> = 1V,<br>4.5V; V <sub>NO_</sub> or V <sub>NC_</sub> = 4.5V,<br>1V             | T <sub>A</sub> = +25°C                                | -0.1 | ±0.01 | 0.1   | nA |
|   |   |  | T <sub>A</sub> = T <sub>MIN</sub> to T <sub>MAX</sub> | -0.3 |       | 0.3   |    |
| COM_ On-Leakage Current (Note 6)                  | I <sub>COM_(ON)</sub>   | V+ = 5.5V; V <sub>COM_</sub> = 4.5V,<br>1V; V <sub>NO_</sub> or V <sub>NC_</sub> = 4.5V,<br>1V or floating | T <sub>A</sub> = +25°C                                | -0.1 | ±0.01 | 0.1   | nA |
|   |   |  | T <sub>A</sub> = T <sub>MIN</sub> to T <sub>MAX</sub> | -0.3 |       | 0.3   |    |
| <b>DIGITAL I/O (IN1, IN2)</b>                     |   |  |   |      |       |       |    |
| Input Logic High                                  | V <sub>IH</sub>   |  | 2.4   |      |       | V     |    |
| Input Logic Low                                   | V <sub>IL</sub>   |  |   |      | 0.8   | V     |    |
| Input Leakage Current                             | I <sub>IH</sub> , I <sub>IL</sub>                             | V <sub>IN_</sub> = 0 or +5.5V  | -100  | 5    | 100   | nA    |    |

# Fast, Low-Voltage, Dual 4Ω SPDT CMOS Analog Switches

MAX4635/MAX4636

## ELECTRICAL CHARACTERISTICS—Single +5V Supply (continued)

(V+ = +4.5V to +5.5V, V<sub>IH</sub> = +2.4V, V<sub>IL</sub> = +0.8V, T<sub>A</sub> = T<sub>MIN</sub> to T<sub>MAX</sub>, unless otherwise noted. Typical values are at T<sub>A</sub> = +25°C.) (Notes 2, 9)

| PARAMETER                       | SYMBOL  | CONDITIONS   | MIN   | TYP   | MAX | UNITS |
|---------------------------------|---|--|---|-------|-----|-------|
| <b>DYNAMIC</b>                  |   |  |   |       |     |       |
| Turn-On Time (Note 6)           | t <sub>ON</sub>                                   | V <sub>NO_</sub> , V <sub>VNC_</sub> = 3V;<br>R <sub>L</sub> = 300Ω, C <sub>L</sub> = 35pF,<br>Figure 1a | T <sub>A</sub> = +25°C                                | 12    | 14  | ns    |
|                                 |   |  | T <sub>A</sub> = T <sub>MIN</sub> to T <sub>MAX</sub> |       | 16  |       |
| Turn-Off Time (Note 6)          | t <sub>OFF</sub>                                  | V <sub>NO_</sub> , V <sub>VNC_</sub> = 3V;<br>R <sub>L</sub> = 300Ω, C <sub>L</sub> = 35pF,<br>Figure 1a | T <sub>A</sub> = +25°C                                | 5     | 6   | ns    |
|                                 |   |  | T <sub>A</sub> = T <sub>MIN</sub> to T <sub>MAX</sub> |       | 8   |       |
| Break-Before-Make Time (Note 6) | t <sub>BBM</sub>                                  | V <sub>NO_</sub> , V <sub>VNC_</sub> = 3V;<br>R <sub>L</sub> = 300Ω, C <sub>L</sub> = 35pF,<br>Figure 1b | T <sub>A</sub> = +25°C                                | 7     |     | ns    |
|                                 |   |  | T <sub>A</sub> = T <sub>MIN</sub> to T <sub>MAX</sub> | 1     |     |       |
| Charge Injection                | Q   | V <sub>GEN</sub> = 2V, R <sub>GEN</sub> = 0, C <sub>L</sub> = 1.0nF, Figure 2                            |   | 2     |     | pC    |
| NO_, NC_ Off-Capacitance        | C <sub>NO_(OFF)</sub> ,<br>C <sub>VNC_(OFF)</sub> | V <sub>NO_</sub> , V <sub>VNC_</sub> = GND, f = 1MHz, Figure 3   |   | 9     |     | pF    |
| COM_ On-Capacitance             | C <sub>COM_(ON)</sub>                             | V <sub>COM_</sub> = GND, f = 1MHz, Figure 3  |   | 32    |     | pF    |
| Off-Isolation (Note 7)          | V <sub>ISO</sub>                                  | C <sub>L</sub> = 5pF, R <sub>L</sub> = 50Ω, f = 10MHz, Figure 4  |   | -52   |     | dB    |
|                                 |   | C <sub>L</sub> = 5pF, R <sub>L</sub> = 50Ω, f = 1MHz, Figure 4   |   | -65   |     |       |
| Crosstalk (Note 8)              | V <sub>CT</sub>                                   | C <sub>L</sub> = 5pF, R <sub>L</sub> = 50Ω, f = 10MHz, Figure 4  |   | -66   |     | dB    |
|                                 |   | C <sub>L</sub> = 5pF, R <sub>L</sub> = 50Ω, f = 1MHz, Figure 4   |   | -67   |     |       |
| Total Harmonic Distortion       | THD   | R <sub>L</sub> = 600Ω, V <sub>NO_</sub> = 5V <sub>p-p</sub> , f = 20Hz to 20kHz                          |   | 0.1   |     | %     |
| <b>SUPPLY</b>                   |   |  |   |       |     |       |
| Positive Supply Current         | I+  | V+ = 5.5V, V <sub>IN_</sub> = 0 or V+  |   | 0.001 | 1.0 | μA    |

## ELECTRICAL CHARACTERISTICS—Single +3V Supply

(V+ = +2.7V to +3.6V, V<sub>IH</sub> = +2.0V, V<sub>IL</sub> = +0.8V, T<sub>A</sub> = T<sub>MIN</sub> to T<sub>MAX</sub>, unless otherwise noted. Typical values are at T<sub>A</sub> = +25°C.) (Notes 2, 9)

| PARAMETER   | SYMBOL   | CONDITIONS   | MIN   | TYP  | MAX   | UNITS |    |
|---|--|--|---|------|-------|-------|----|
| <b>ANALOG SWITCH</b>                              |  |  |   |      |       |       |    |
| Analog Signal Range                               | V <sub>COM_</sub> ,<br>V <sub>NO_</sub> ,<br>V <sub>VNC_</sub> |  | 0   |      | V+    | V     |    |
| On-Resistance                                     | R <sub>ON</sub>  | V+ = 2.7V, I <sub>COM_</sub> = 10mA,<br>V <sub>NO_</sub> or V <sub>VNC_</sub> = 0 to V+  | T <sub>A</sub> = +25°C                                | 5    | 5.5   | Ω     |    |
|   |  |  | T <sub>A</sub> = T <sub>MIN</sub> to T <sub>MAX</sub> |      | 8     |       |    |
| On-Resistance Match Between Channels (Notes 3, 4) | ΔR <sub>ON</sub>   | V+ = 2.7V, I <sub>COM_</sub> = 10mA,<br>V <sub>NO_</sub> or V <sub>VNC_</sub> = 0 to V+  | T <sub>A</sub> = +25°C                                | 0.1  | 0.2   | Ω     |    |
|   |  |  | T <sub>A</sub> = T <sub>MIN</sub> to T <sub>MAX</sub> |      | 0.4   |       |    |
| On-Resistance Flatness (Note 5)                   | R <sub>FLAT(ON)</sub>  | V+ = 2.7V, I <sub>COM_</sub> = 10mA,<br>V <sub>NO_</sub> or V <sub>VNC_</sub> = 0 to V+  | T <sub>A</sub> = +25°C                                | 1.5  | 2     | Ω     |    |
|   |  |  | T <sub>A</sub> = T <sub>MIN</sub> to T <sub>MAX</sub> |      | 2.5   |       |    |
| NO_, NC_ Off-Leakage Current (Note 6)             | I <sub>NO_(OFF)</sub> ,<br>I <sub>VNC_(OFF)</sub>              | V+ = 3.3V; V <sub>COM_</sub> = 1V, 3V;<br>V <sub>NO_</sub> or V <sub>VNC_</sub> = 3V, 1V | T <sub>A</sub> = +25°C                                | -0.1 | ±0.01 | 0.1   | nA |
|   |  |  | T <sub>A</sub> = T <sub>MIN</sub> to T <sub>MAX</sub> | -0.3 |       | 0.3   |    |
| COM_ Off-Leakage Current (Note 6)                 | I <sub>COM_(OFF)</sub>   | V+ = 3.3V; V <sub>COM_</sub> = 1V, 3V;<br>V <sub>NO_</sub> or V <sub>VNC_</sub> = 3V, 1V | T <sub>A</sub> = +25°C                                | -0.1 | ±0.01 | 0.1   | nA |
|   |  |  | T <sub>A</sub> = T <sub>MIN</sub> to T <sub>MAX</sub> | -0.3 |       | 0.3   |    |

# Fast, Low-Voltage, Dual 4Ω SPDT CMOS Analog Switches

## ELECTRICAL CHARACTERISTICS—Single +3V Supply (continued)

(V+ = +2.7V to +3.6V, V<sub>IH</sub> = +2.0V, V<sub>IL</sub> = +0.8V, T<sub>A</sub> = T<sub>MIN</sub> to T<sub>MAX</sub>, unless otherwise noted. Typical values are at T<sub>A</sub> = +25°C.) (Notes 2, 9)

| PARAMETER                           | SYMBOL  | CONDITIONS   | MIN   | TYP   | MAX   | UNITS |    |
|-------------------------------------|---|--|---|-------|-------|-------|----|
| COM_ On-Leakage Current<br>(Note 6) | I <sub>COM(ON)</sub>                            | V+ = 3.3V; V <sub>COM_</sub> = 1V,<br>3V; V <sub>NO_</sub> or V <sub>N_</sub> = 1V,<br>3V, or floating | T <sub>A</sub> = +25°C                                | -0.1  | ±0.01 | 0.1   | nA |
|                                     |   |  | T <sub>A</sub> = T <sub>MIN</sub> to T <sub>MAX</sub> | -0.3  |       | 0.3   |    |
| <b>DIGITAL I/O (IN1, IN2)</b>       |   |  |   |       |       |       |    |
| Input Logic High                    | V <sub>IH</sub>                                 |  | 2.0   |       |       | V     |    |
| Input Logic Low                     | V <sub>IL</sub>                                 |  |   |       | 0.4   | V     |    |
| Input Leakage Current               | I <sub>IH, IIL</sub>                            | V <sub>IN_</sub> = 0 or +5.5V  | -100  | 5     | 100   | nA    |    |
| <b>DYNAMIC</b>                      |   |  |   |       |       |       |    |
| Turn-On Time (Note 6)               | t <sub>ON</sub>                                 | V <sub>NO_</sub> , V <sub>N_</sub> = 2V;<br>C <sub>L</sub> = 35pF, R <sub>L</sub> = 300Ω,<br>Figure 1a | T <sub>A</sub> = +25°C                                | 14    | 18    | ns    |    |
|                                     |   |  | T <sub>A</sub> = T <sub>MIN</sub> to T <sub>MAX</sub> |       | 20    |       |    |
| Turn-Off Time (Note 6)              | t <sub>OFF</sub>                                | V <sub>NO_</sub> , V <sub>N_</sub> = 2V;<br>C <sub>L</sub> = 35pF, R <sub>L</sub> = 300Ω,<br>Figure 1a | T <sub>A</sub> = +25°C                                | 6     | 8     | ns    |    |
|                                     |   |  | T <sub>A</sub> = T <sub>MIN</sub> to T <sub>MAX</sub> |       | 10    |       |    |
| Break-Before-Make Time<br>(Note 6)  |   | V <sub>NO_</sub> , V <sub>N_</sub> = 2V;<br>C <sub>L</sub> = 35pF, R <sub>L</sub> = 300Ω,<br>Figure 1b | T <sub>A</sub> = +25°C                                | 7     |       | ns    |    |
|                                     |   |  | T <sub>A</sub> = T <sub>MIN</sub> to T <sub>MAX</sub> | 1     |       |       |    |
| Charge Injection                    | Q   | V <sub>GEN</sub> = 1.5V, R <sub>GEN</sub> = 0, C <sub>L</sub> = 1.0nF, Figure 2                        |   | 11    |       | pC    |    |
| NO_, NC_ Off-Capacitance            | C <sub>NO_(OFF)</sub> ,<br>C <sub>N_(OFF)</sub> | V <sub>NO_</sub> , V <sub>N_</sub> = GND, f = 1MHz, Figure 3   |   | 9     |       | pF    |    |
| COM On-Capacitance                  | C <sub>COM(ON)</sub>                            | V <sub>COM</sub> = GND, f = 1MHz, Figure 3   |   | 32    |       | pF    |    |
| Off-Isolation (Note 7)              | V <sub>ISO</sub>                                | C <sub>L</sub> = 5pF, R <sub>L</sub> = 50Ω, f = 10MHz, Figure 4  |   | -52   |       | dB    |    |
|                                     |   | C <sub>L</sub> = 5pF, R <sub>L</sub> = 50Ω, f = 1MHz, Figure 4   |   | -65   |       |       |    |
| Crosstalk (Note 8)                  | V <sub>CT</sub>                                 | C <sub>L</sub> = 5pF, R <sub>L</sub> = 50Ω, f = 10MHz, Figure 4  |   | -66   |       | dB    |    |
|                                     |   | C <sub>L</sub> = 5pF, R <sub>L</sub> = 50Ω, f = 1MHz, Figure 4   |   | -67   |       |       |    |
| <b>SUPPLY</b>                       |   |  |   |       |       |       |    |
| Positive Supply Current             | I+  | V+ = 3.6V, V <sub>IN</sub> = 0 or +3.6V  |   | 0.001 | 1     | μA    |    |

**Note 2:** The algebraic convention, where the most negative value is a minimum and the most positive value a maximum, is used in this data sheet.

**Note 3:**  $\Delta R_{ON} = R_{ON(MAX)} - R_{ON(MIN)}$ .

**Note 4:**  $\Delta R_{ON}$  matching specifications for QFN-packaged parts are guaranteed by design.

**Note 5:** Flatness is defined as the difference between the maximum and minimum values of on-resistance as measured over the specified analog signal ranges.

**Note 6:** Guaranteed by design.

**Note 7:** Off-Isolation =  $20 \log_{10} (V_{COM} / V_{NO})$ , V<sub>COM</sub> = output, V<sub>NO</sub> = input to off switch.

**Note 8:** Between any two switches.

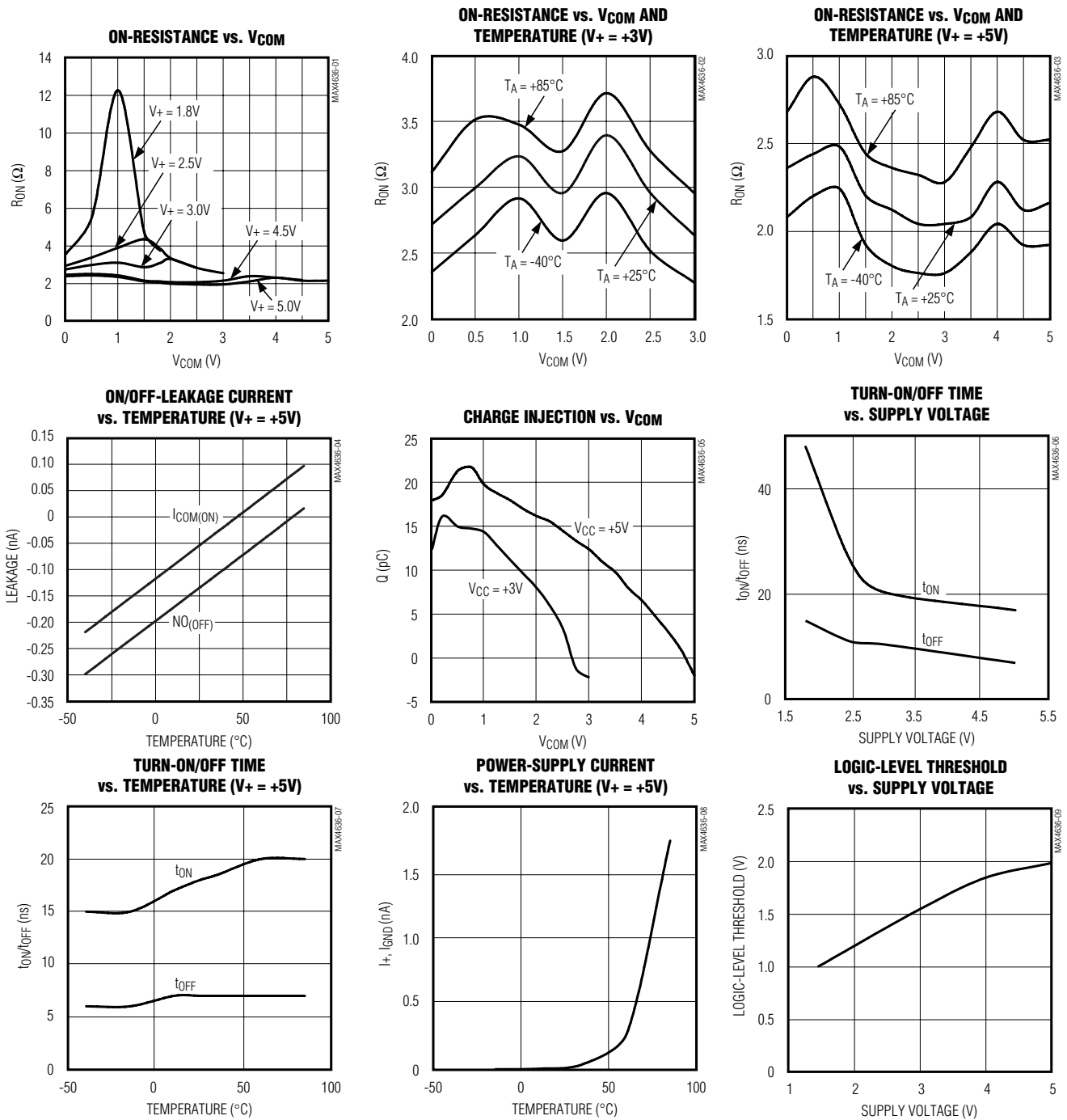
**Note 9:** QFN packaged parts are tested at +25°C and guaranteed by design and correlation over the entire temperature range.

# Fast, Low-Voltage, Dual 4Ω SPDT CMOS Analog Switches

## Typical Operating Characteristics

( $T_A = +25^\circ\text{C}$ , unless otherwise noted.)

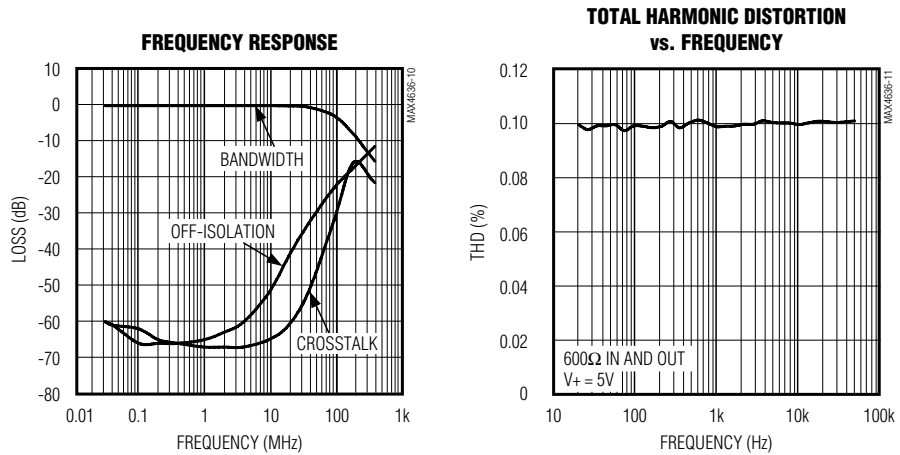
MAX4635/MAX4636



# Fast, Low-Voltage, Dual 4Ω SPDT CMOS Analog Switches

## Typical Operating Characteristics (continued)

(T<sub>A</sub> = +25°C, unless otherwise noted.)



## Pin Description

| PIN     |         | NAME | FUNCTION                             |
|---------|---------|------|--------------------------------------|
| MAX4635 | MAX4636 |      |                                      |
| 1       | 1       | IN1  | Logic Control for Switch 1           |
| 2       | 9       | NO1  | Normally Open Terminal of Switch 1   |
| 3       | 3       | GND  | Ground                               |
| 4       | 7       | NO2  | Normally Open Terminal of Switch 2   |
| 5       | 5       | IN2  | Logic Control Input for Switch 2     |
| 6       | 6       | COM2 | Common Terminal of Switch 2          |
| 7       | 4       | NC2  | Normally Closed Terminal of Switch 2 |
| 8       | 8       | V+   | Input Supply Voltage, +1.8V to +5.5V |
| 9       | 2       | NC1  | Normally Closed Terminal of Switch 1 |
| 10      | 10      | COM1 | Common Terminal of Switch 1          |

# Fast, Low-Voltage, Dual 4Ω SPDT CMOS Analog Switches

**MAX4635/MAX4636**

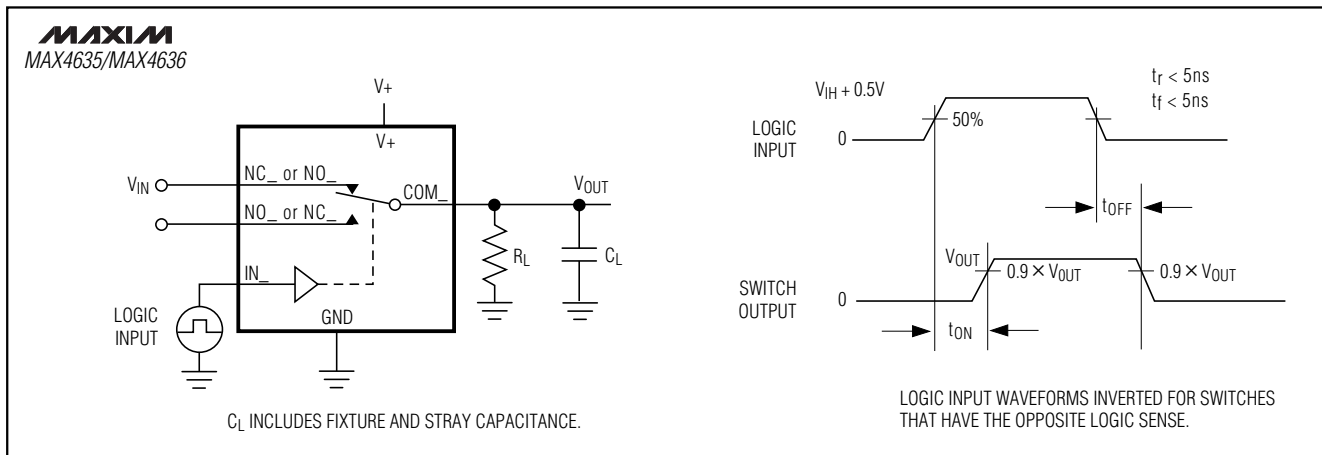


Figure 1a. Switching Time

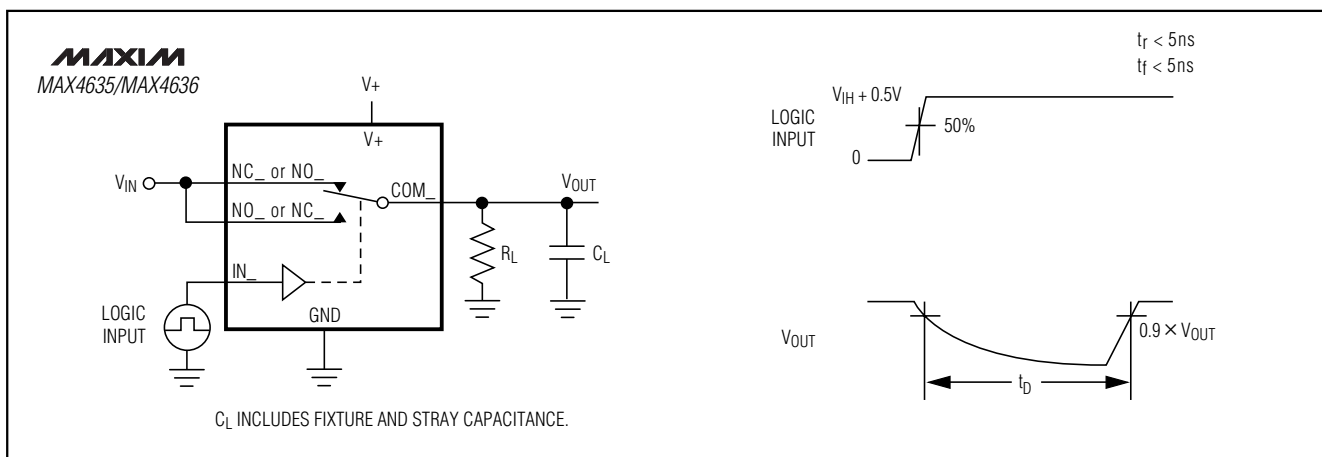


Figure 1b. Break-Before-Make Interval

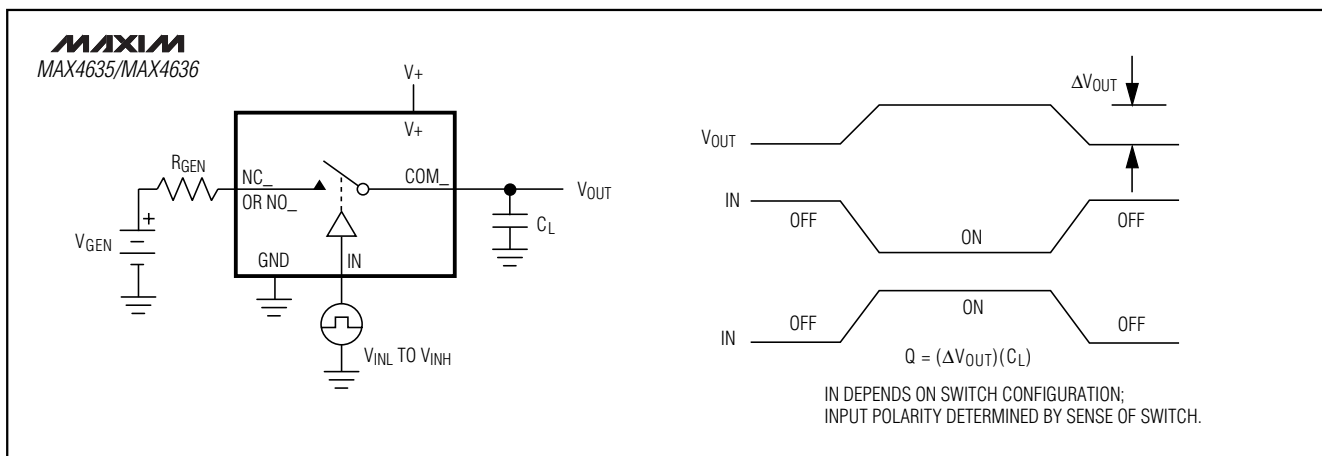


Figure 2. Charge Injection

# Fast, Low-Voltage, Dual 4Ω SPDT CMOS Analog Switches

## Detailed Description

The MAX4635/MAX4636 are low-on-resistance ( $R_{ON}$ ), low-voltage, dual SPDT analog switches that operate from a +1.8V to +5.5V supply. The MAX4635/MAX4636 feature very fast switching speed ( $t_{ON} = 14\text{ns}$  max,  $t_{OFF} = 6\text{ns}$  max) and guaranteed break-before-make switching. The low maximum  $R_{ON}$  allows high continuous currents to be switched in a variety of applications.

## Applications Information

### Logic Inputs

The MAX4635/MAX4636 logic inputs (IN1, IN2) can be driven up to +5.5V, regardless of the voltage on V+. This allows interfacing to 5V logic signals while operating with a +3.3V supply voltage without external level translation.

### Analog Signal Levels

Analog signals ranging over the entire supply voltage ( $V+$  to GND) can be passed with very little change in on-resistance (see *Typical Operating Characteristics*). The switches are bidirectional, so the NO\_, NC\_, and COM\_ pins may be used as either inputs or outputs.

### Power-Supply Sequencing and Overvoltage Protection

**Caution: Do not exceed the absolute maximum ratings because stresses beyond the listed ratings can cause permanent damage to the device.** Proper power-supply sequencing is recommended for all CMOS devices. Always apply V+ before applying analog signals, especially if the analog signal is not current limited. If this sequencing is not possible, and if the analog inputs are not current limited to less than 30mA, add a small-signal diode (D1) as shown in Figure 5. If the analog signal can dip below GND, add D2. Adding protection diodes reduces the analog range to a diode drop (about 0.7V) below V+ (for D1), and a diode drop above ground (for D2).

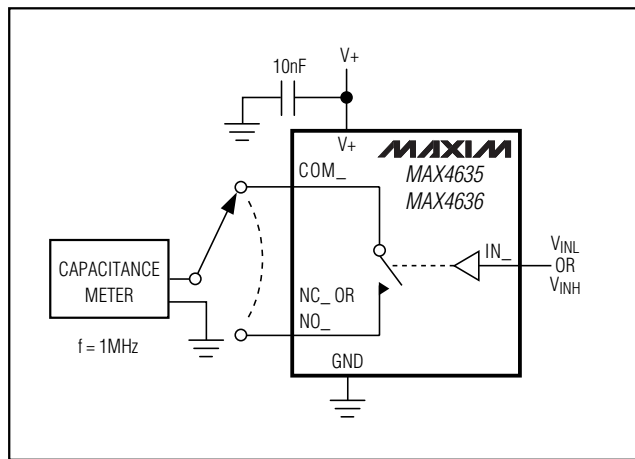


Figure 3. Channel Off/On-Capacitance

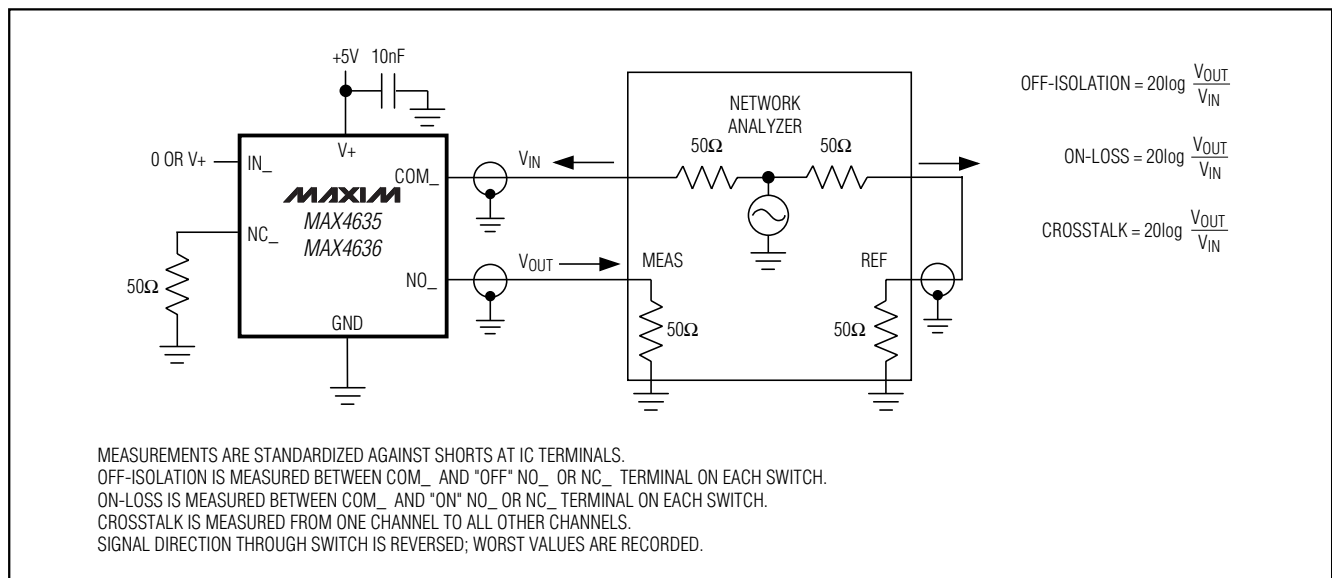


Figure 4. On-Loss, Off-Isolation, and Crosstalk

# Fast, Low-Voltage, Dual 4Ω SPDT CMOS Analog Switches

## Chip Information

TRANSISTOR COUNT: 239

PROCESS: CMOS

MAX4635/MAX4636

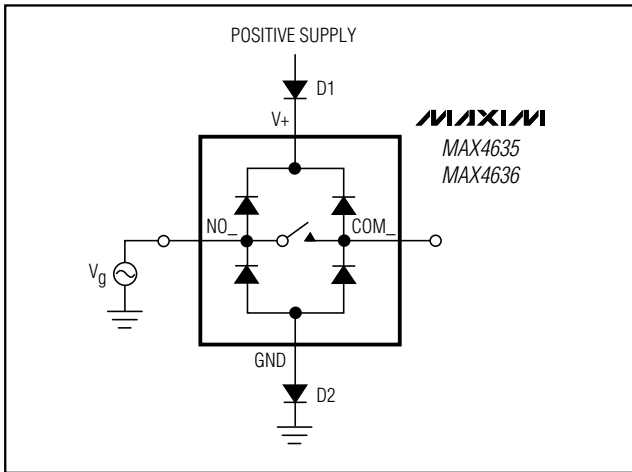


Figure 5. Overvoltage Protection Using Two External Blocking Diodes

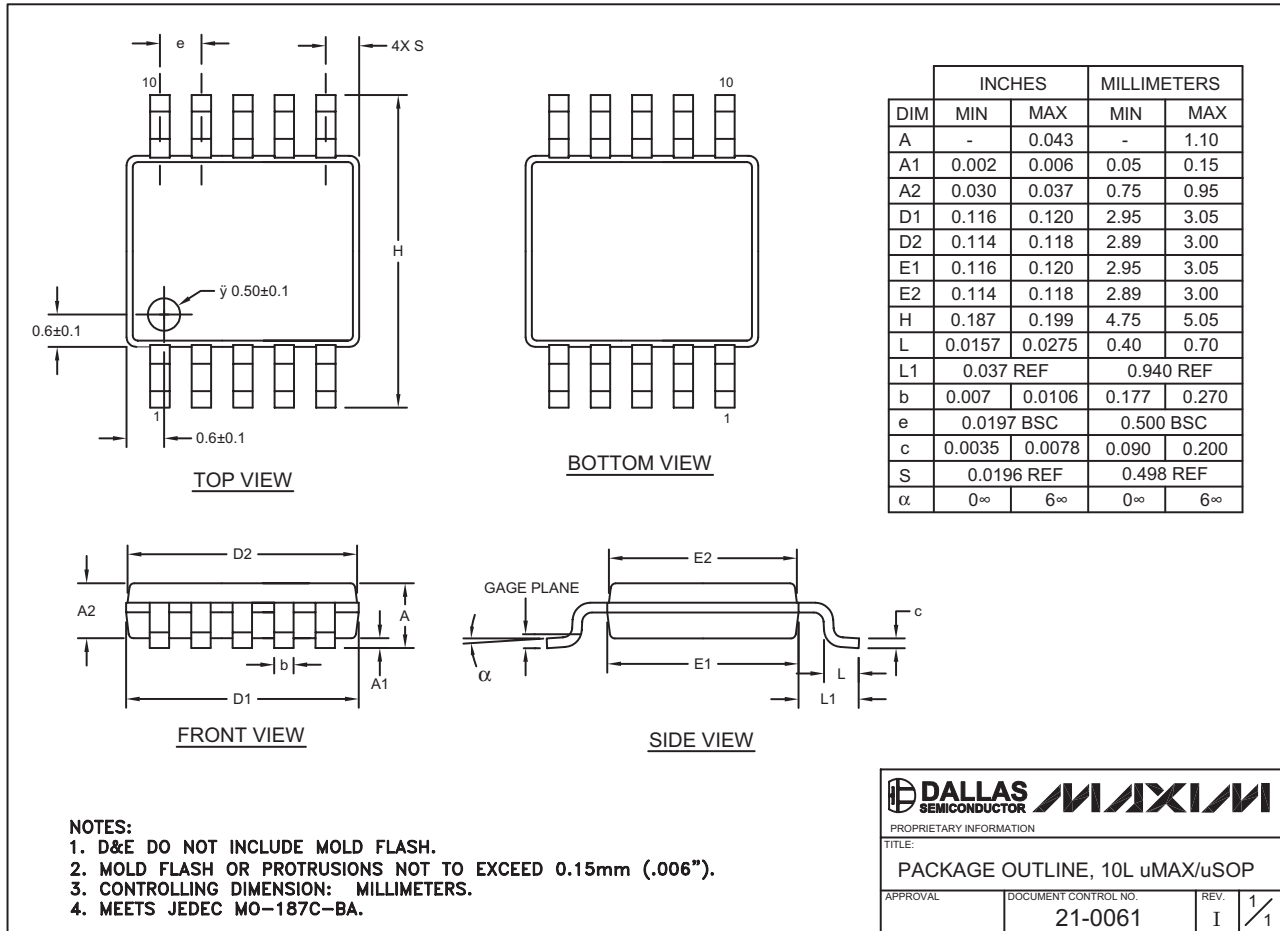
On-resistance increases slightly at low supply voltages. Maximum supply voltage (V+) must not exceed +6V. Adding protection diode D2 causes the logic threshold to be shifted relative to GND. Protection diodes D1 and D2 also protect against some overvoltage situations. With Figure 5's circuit, if the supply voltage is below the absolute maximum rating, and if a fault voltage up to the absolute maximum rating is applied to an analog signal pin, no damage results.



# Fast, Low-Voltage, Dual 4Ω SPDT CMOS Analog Switches

## Package Information

(The package drawing(s) in this data sheet may not reflect the most current specifications. For the latest package outline information, go to [www.maxim-ic.com/packages](http://www.maxim-ic.com/packages).)



10LUMAXEPS

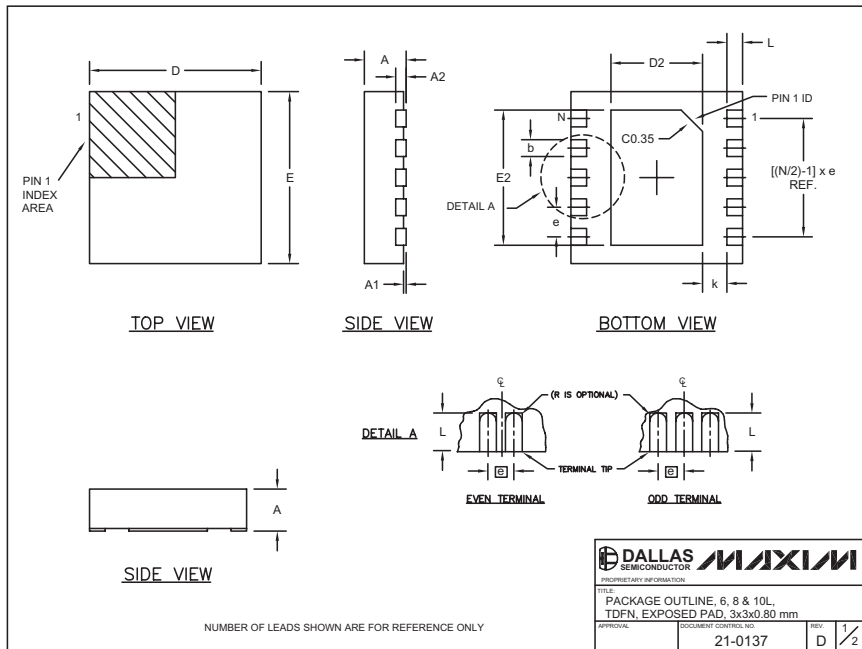
**Note:** The MAX4636 does not have an exposed pad.

# Fast, Low-Voltage, Dual 4Ω SPDT CMOS Analog Switches

## Package Information (continued)

(The package drawing(s) in this data sheet may not reflect the most current specifications. For the latest package outline information, go to [www.maxim-ic.com/packages](http://www.maxim-ic.com/packages).)

MAX4635/MAX4636



| COMMON DIMENSIONS |           |      |  |  |  |  |  |
|-------------------|-----------|------|--|--|--|--|--|
| SYMBOL            | MIN.      | MAX. |  |  |  |  |  |
| A                 | 0.70      | 0.80 |  |  |  |  |  |
| D                 | 2.90      | 3.10 |  |  |  |  |  |
| E                 | 2.90      | 3.10 |  |  |  |  |  |
| A1                | 0.00      | 0.05 |  |  |  |  |  |
| L                 | 0.20      | 0.40 |  |  |  |  |  |
| k                 | 0.25 MIN. |      |  |  |  |  |  |
| A2                | 0.20 REF. |      |  |  |  |  |  |

| PACKAGE VARIATIONS |    |           |           |          |                |           |               |
|--------------------|----|-----------|-----------|----------|----------------|-----------|---------------|
| PKG. CODE          | N  | D2        | E2        | e        | JEDEC SPEC     | b         | [(N/2)-1] x e |
| T633-1             | 6  | 1.50±0.10 | 2.30±0.10 | 0.95 BSC | MO229 / WEEA   | 0.40±0.05 | 1.90 REF      |
| T833-1             | 8  | 1.50±0.10 | 2.30±0.10 | 0.65 BSC | MO229 / WEEC   | 0.30±0.05 | 1.95 REF      |
| T1033-1            | 10 | 1.50±0.10 | 2.30±0.10 | 0.50 BSC | MO229 / WEED-3 | 0.25±0.05 | 2.00 REF      |

**NOTES:**

1. ALL DIMENSIONS ARE IN mm. ANGLES IN DEGREES.
2. COPLANARITY SHALL NOT EXCEED 0.08 mm.
3. WARPAGE SHALL NOT EXCEED 0.10 mm.
4. PACKAGE LENGTH/PACKAGE WIDTH ARE CONSIDERED AS SPECIAL CHARACTERISTIC(S).
5. DRAWING CONFORMS TO JEDEC MO229, EXCEPT DIMENSIONS "D2" AND "E2".
6. "N" IS THE TOTAL NUMBER OF LEADS.

|   |                                     |                     |                    |
|---|-------------------------------------|---------------------|--------------------|
| <b>DALLAS SEMICONDUCTOR</b>   |                                     | <b>MAXIM</b>        |                    |
| <small>PROPRIETARY INFORMATION</small>  |                                     |                     |                    |
| <small>TITLE: PACKAGE OUTLINE, 6, 8 &amp; 10L, TDFN, EXPOSED PAD, 3x3x0.80 mm</small> |                                     |                     |                    |
| <small>APPROVAL</small>   | <small>DOCUMENT CONTROL NO.</small> | <small>REV.</small> | <small>2/2</small> |
|   | 21-0137                             | D                   | 2/2                |

Maxim cannot assume responsibility for use of any circuitry other than circuitry entirely embodied in a Maxim product. No circuit patent licenses are implied. Maxim reserves the right to change the circuitry and specifications without notice at any time.

**Maxim Integrated Products, 120 San Gabriel Drive, Sunnyvale, CA 94086 408-737-7600** \_\_\_\_\_ 11

# Mouser Electronics

Authorized Distributor

Click to View Pricing, Inventory, Delivery & Lifecycle Information:

[Maxim Integrated:](#)

[MAX4636EUB+](#) [MAX4635EUB+](#) [MAX4635EUB+T](#) [MAX4636ETB+T](#) [MAX4636ETB+TG104](#) [MAX4636EUB+T](#)  
[MAX4635EUB/GG8-T](#) [MAX4636EUB](#)