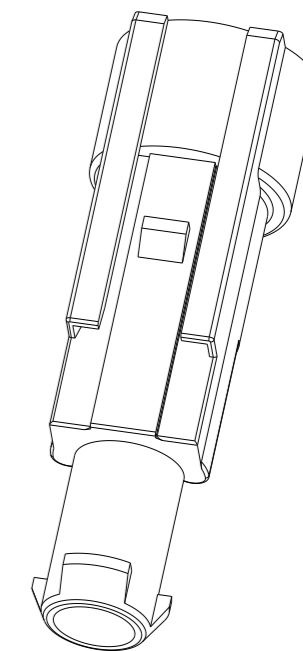
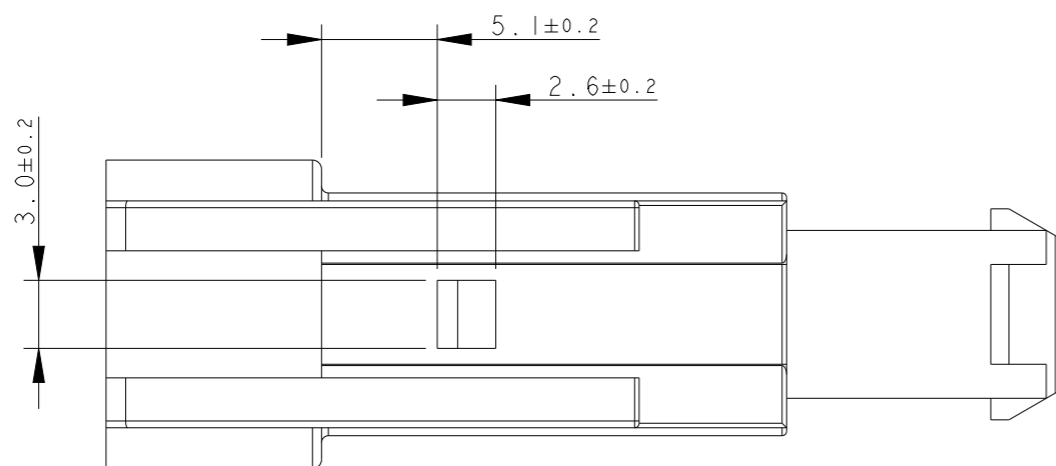
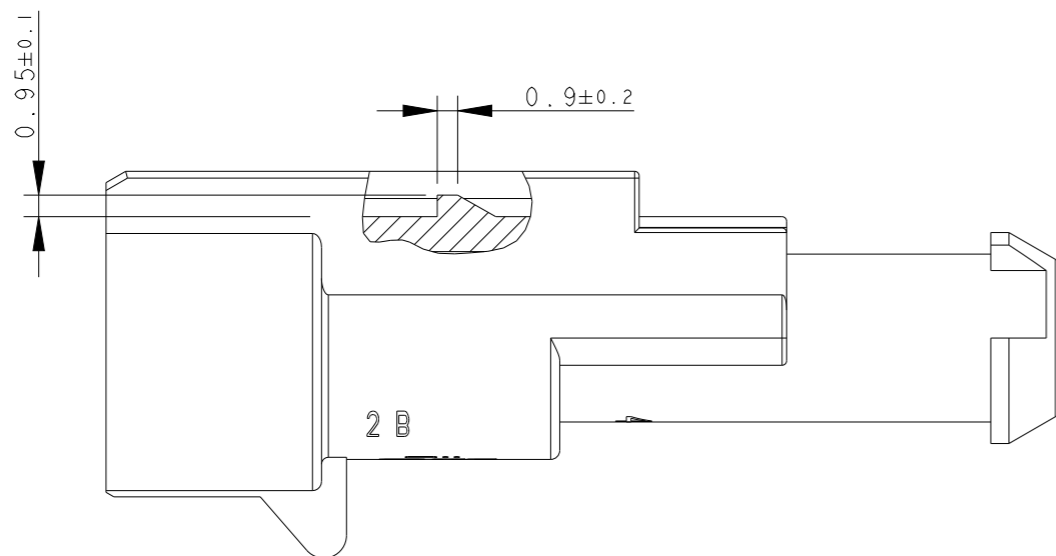


REVISIONS

P	LTR	DESCRIPTION	DATE	DWN	APVD
-	-	SEE SHEET 1	-	-	-

REFER SHEET 1 FOR MISSING DIMENSIONS



4-282103-1 AS SHOWN

THIS DRAWING IS A CONTROLLED DOCUMENT.

DWN C. BERTINI 02-1990

CHK A. BRUNI 02-1990

APVD -

PRODUCT SPEC 108-20090

APPLICATION SPEC 412-20000

WEIGHT 2.83g

NAME AMP SUPERSEAL 1.5 SRS. 1 POSITION TAB ASS'Y

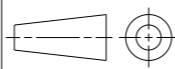
SIZE CAGE CODE DRAWING NO RESTRICTED TO

A300779 C-282103



DIMENSIONS: mm

TOLERANCES UNLESS OTHERWISE SPECIFIED:



- 0 PLC ±-
- 1 PLC ± 0.3
- 2 PLC ±-
- 3 PLC ±-
- 4 PLC ±-
- ANGLES ± 2°

MATERIAL - SEE TABLE

FINISH - SEE TABLE

Customer Drawing SCALE 3:1 SHEET 2 OF 2 REV B4

Mouser Electronics

Authorized Distributor

Click to View Pricing, Inventory, Delivery & Lifecycle Information:

[TE Connectivity:](#)

[282103-1](#)