

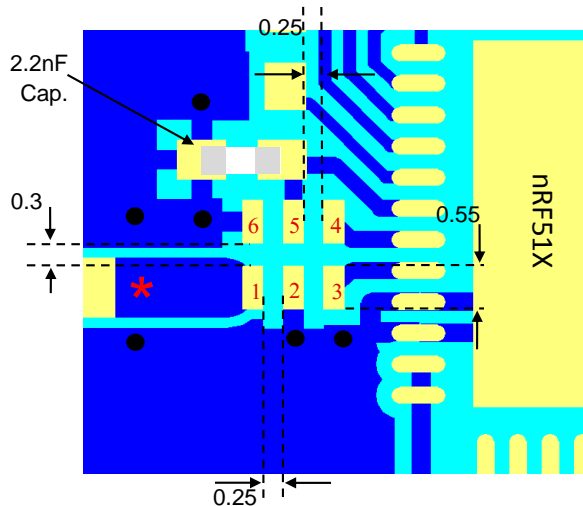
High Frequency Ceramic Solutions

2.45GHz Impedance Matched Balun + Band Pass Filter: Optimized for Nordic's Chipsets: nRF51822-QFAA, P/N 2450BM14E0003
 nRF51422-QFAA, nRF51822-QFAB, nRF51422-QFAB, nRF51822-QFAC, nRF51422-QFAC, nRF51802-QFAA

Detail Specification: 6/29/2016

Page 2 of 4

Mounting Considerations

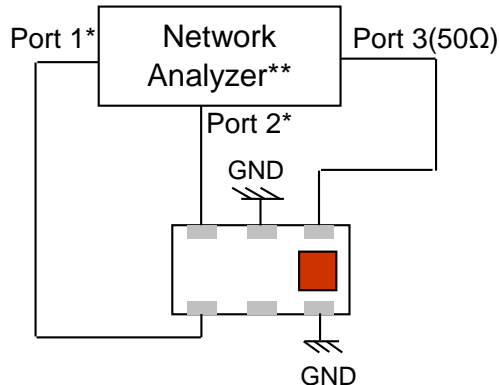


- Land
- Via Through

*Line width should be designed to match 50Ω characteristic impedance, depending on PCB material and thickness.

Do you need the layout/gerber files of the above? Go to: www.johansontechnology.com/nordic or send us a message to review your layout at: www.johansontechnology.com/component/ask-a-question

Solo-Component Characterization Scheme



Port 3: Unbalanced Port
 Ports 1 and 2: Balanced Port
 $IL = S_{ds21}$, $Att_{DM} = S_{ds21}$, $Att_{CM} = S_{cs21}$
 $RL = S_{ss11}$
 $Amp_balance = dB(S(1,3)/S(2,3))$
 $Phase_balance = Phase(S(1,3)/S(2,3))$

*Impedance for ports 1 and 2
 = Conjugate to Balanced Impedance/2
 **E5071B from Agilent

You can download layout files, schematics, output power measured results (App Note AN020), and s-parameters at: <http://johansontechnology.com/nordic>

Johanson Technology, Inc. reserves the right to make design changes without notice.
 All sales are subject to Johanson Technology, Inc. terms and conditions.



www.johansontechnology.com

4001 Calle Tecate • Camarillo, CA 93012, USA • TEL +1.805.389.1166

Ver. 3.0

2016 Johanson Technology, Inc. All Rights Reserved

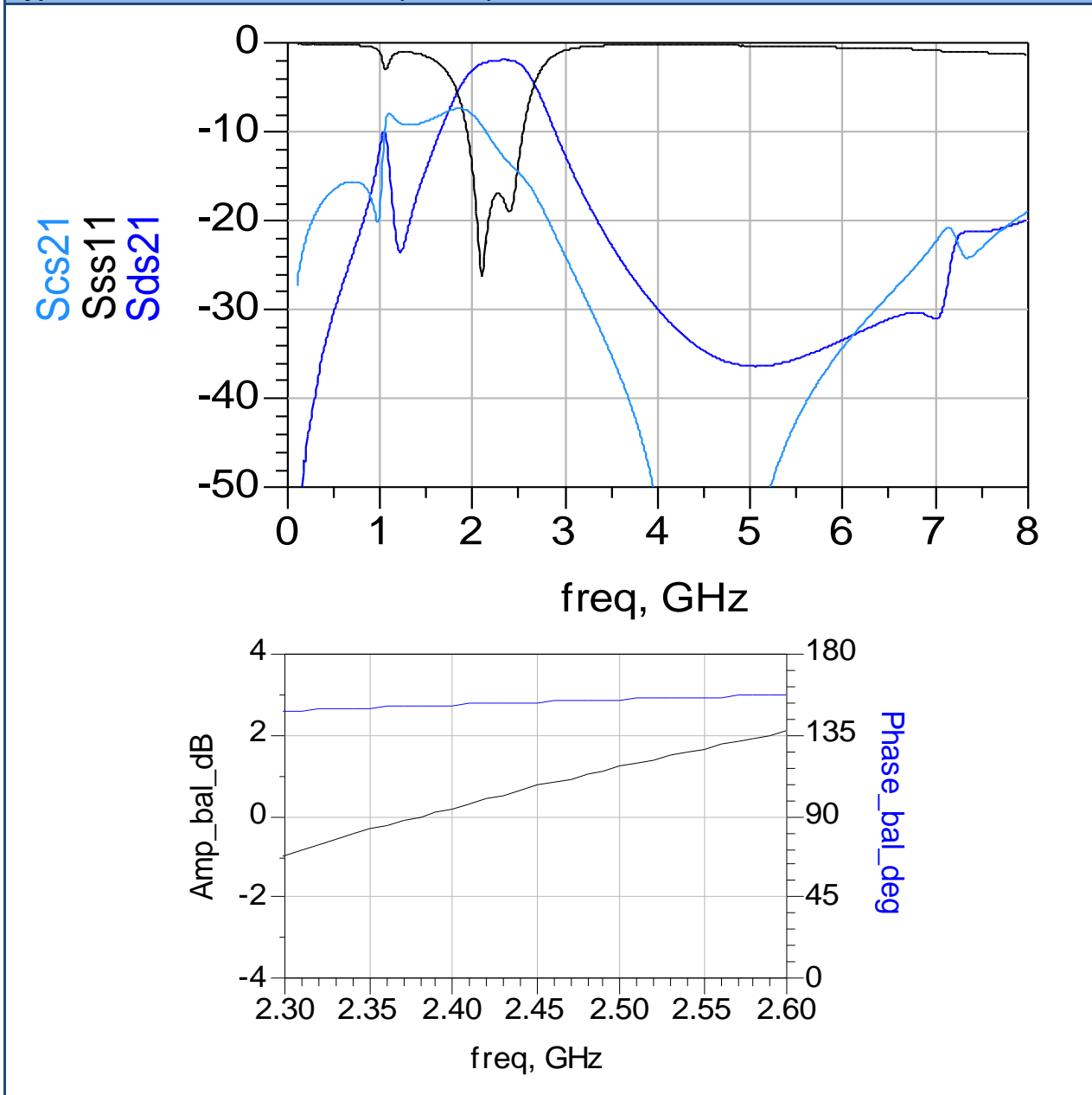
High Frequency Ceramic Solutions

2.45GHz Impedance Matched Balun + Band Pass Filter: Optimized for Nordic's Chipsets: nRF51822-QFAA, P/N 2450BM14E0003
nRF51422-QFAA, nRF51822-QFAB, nRF51422-QFAB, nRF51822-QFAC, nRF51422-QFAC, nRF51802-QFAA

Detail Specification: 6/29/2016

Page 3 of 4

Typical Electrical Characteristics (T=25°C)



Johanson Technology, Inc. reserves the right to make design changes without notice.
All sales are subject to Johanson Technology, Inc. terms and conditions.



www.johansontechnology.com

4001 Calle Tecate • Camarillo, CA 93012, USA • TEL +1.805.389.1166

Ver. 3.0

2016 Johanson Technology, Inc. All Rights Reserved

High Frequency Ceramic Solutions

2.45GHz Impedance Matched Balun + Band Pass Filter: Optimized for Nordic's Chipsets: nRF51822-QFAA, P/N 2450BM14E0003
nRF51422-QFAA, nRF51822-QFAB, nRF51422-QFAB, nRF51822-QFAC, nRF51422-QFAC, nRF51802-QFAA

Detail Specification: 6/29/2016

Page 4 of 4

Application Notes, Layout Files, and more

www.johansontechnology.com/nordic

Packaging information

<http://www.johansontechnology.com/tape-reel-packaging>

Soldering Information

www.johansontechnology.com/ipcsoldering-profile

MSL Info

<http://www.johansontechnology.com/msl-rating>

Recommended Storage Condition and Max Shelf Life

<http://www.johansontechnology.com/recommended-storage-conditions>

RoHS Compliance

<http://www.johansontechnology.com/rohs-compliance>

Antenna layout and tuning techniques

www.johansontechnology.com/tuning

Antenna layout review, tuning, and characterization services

<http://www.johansontechnology.com/ipc-antenna-services>



Johanson Technology, Inc. reserves the right to make design changes without notice.
All sales are subject to Johanson Technology, Inc. terms and conditions.



www.johansontechnology.com

4001 Calle Tecate • Camarillo, CA 93012, USA • TEL +1.805.389.1166

Ver. 3.0

2016 Johanson Technology, Inc. All Rights Reserved

Mouser Electronics

Authorized Distributor

Click to View Pricing, Inventory, Delivery & Lifecycle Information:

[Johanson:](#)

[2450BM14E0003T](#)