

# 17mm Rotary Potentiometer

P170



## Electrical Specifications

Resistance range, Ohms	100-1M (for "B" taper), 5K-1M (for other tapers)
Standard resistance tolerance	±20%
Residual resistance	10 ohms max.
Input voltage, maximum	200 Vac max.
Power rating, Watts	0.1W ("B" taper), 0.05W (other tapers)
Dielectric strength	500Vac, 1 minute
Insulation resistance, minimum	50M ohms at 500Vdc
Sliding noise	100mV max.
Actual electrical travel, nominal	240°
Switch contact resistance	50M ohms max.
Switch power rated	1.0A at 12 Vdc

## Mechanical Specifications

Total mechanical travel	260° ±10°
Static stop strength	40 oz-in
Rotational torque	0.5 to 1.25 oz-in
Switch rotational angle	30° ±10°

## Environmental Specifications

Operating temperature range	-20°C to +70°C
Rotational life (potentiometer)	100,000 cycles
Rotational life (switch)	15,000 cycles

General Note  
TT Electronics reserves the right to make changes in product specification without notice or liability. All information is subject to TT Electronics' own data and is considered accurate at time of going to print.

© TT electronics plc

TT Electronics | BI Technologies  
413 Rood RD, Suite 7  
Calexico, CA 92231  
Ph: +1 714 447 2345  
[www.ttelectronics.com/bi-technologies](http://www.ttelectronics.com/bi-technologies)

Issue C 04/2019 Page 2

# 17mm Rotary Potentiometer

P170

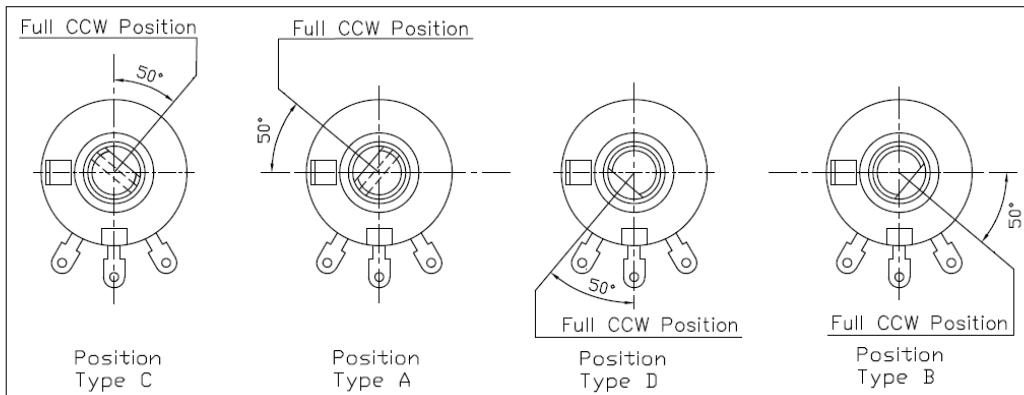


## Shaft Types

E-TYPE										F-TYPE										Q-TYPE																	
										L	10	11	12	15	20	25	30	35	40	L	10	12	13	15	20	25	30	35	L	10	12	13	15	20	25	30	35
L	10	15	20	25	30	35	40	T	4	4	3.5	7	12	12	14	14	14	T	3	4	5	6	10	12	12	12											

## Shaft Position (F-Type Shaft)

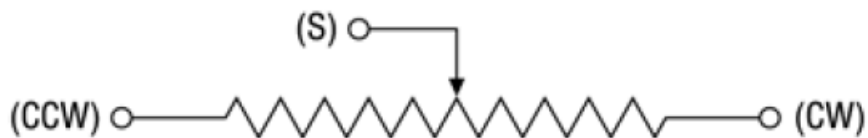
Dashed lines on Type "C" and Type "A" shows position of adjustment slot for E-Type and Q-Type shafts



## Standard Resistance Values, Ohms

100    200    500    1K    2K    5K    10K    20K    50K    100K    200K    500K    1MEG

## Circuit Diagram



General Note  
 TT Electronics reserves the right to make changes in product specification without notice or liability. All information is subject to TT Electronics' own data and is considered accurate at time of going to print.

© TT electronics plc

TT Electronics | BI Technologies  
 413 Rood RD, Suite 7  
 Calexico, CA 92231  
 Ph: +1 714 447 2345  
[www.ttelectronics.com/bi-technologies](http://www.ttelectronics.com/bi-technologies)

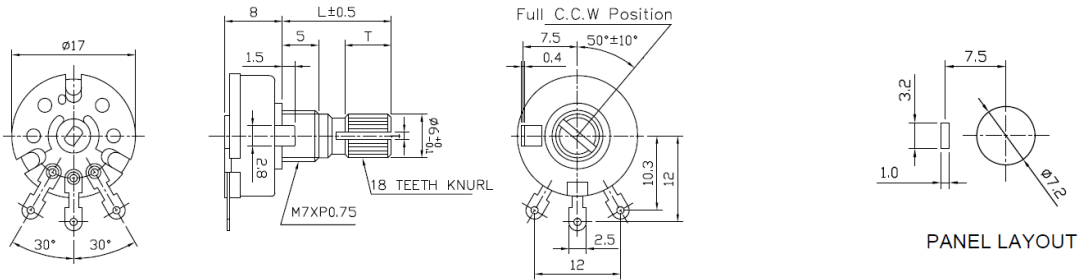
# 17mm Rotary Potentiometer

P170

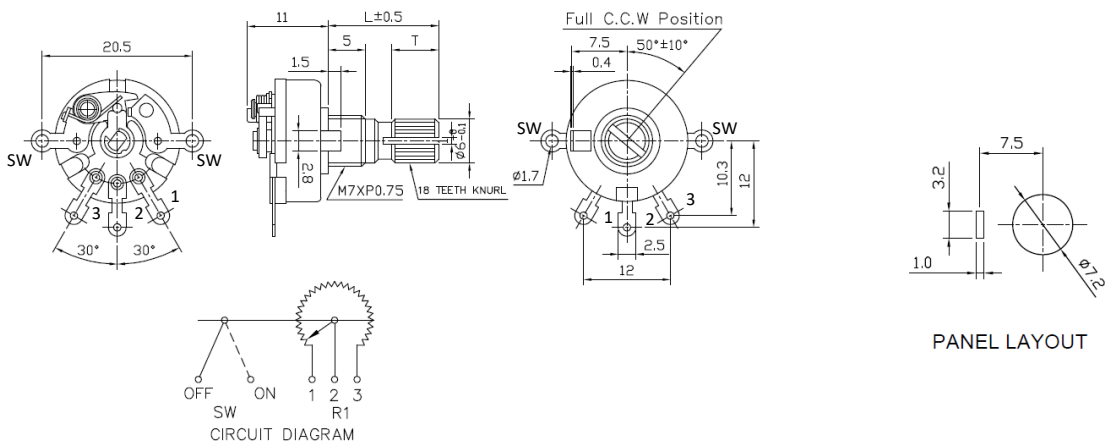


## Outline Drawings

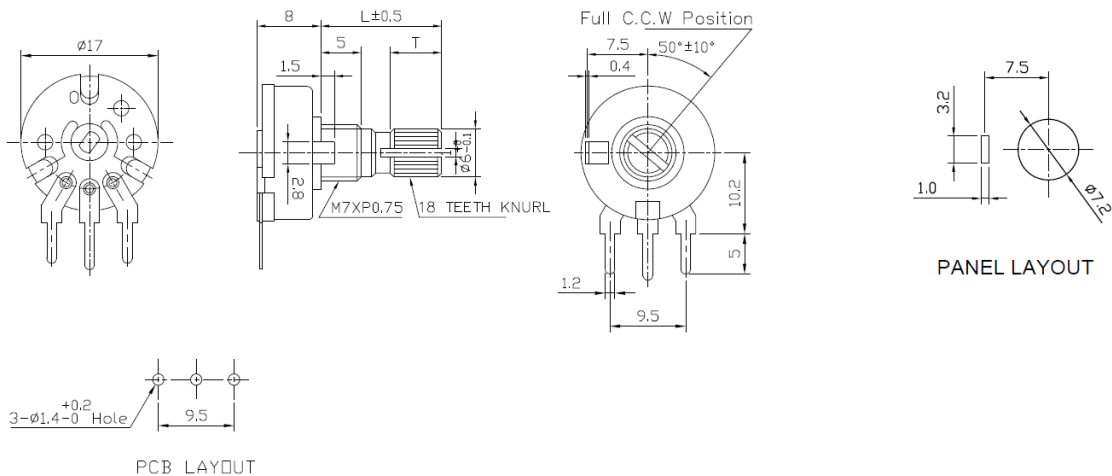
### MODEL P170N (Side Adjust, Solder Lugs)



### MODEL P170S (Side Adjust, Solder Lugs with Switch)



### MODEL P170N2 (Side Adjust, PCB Pins)



General Note  
 TT Electronics reserves the right to make changes in product specification without notice or liability. All information is subject to TT Electronics' own data and is considered accurate at time of going to print.

© TT electronics plc

TT Electronics | BI Technologies  
 413 Rood RD, Suite 7  
 Calexico, CA 92231  
 Ph: +1 714 447 2345  
[www.ttelectronics.com/bi-technologies](http://www.ttelectronics.com/bi-technologies)

Issue C 04/2019 Page 4

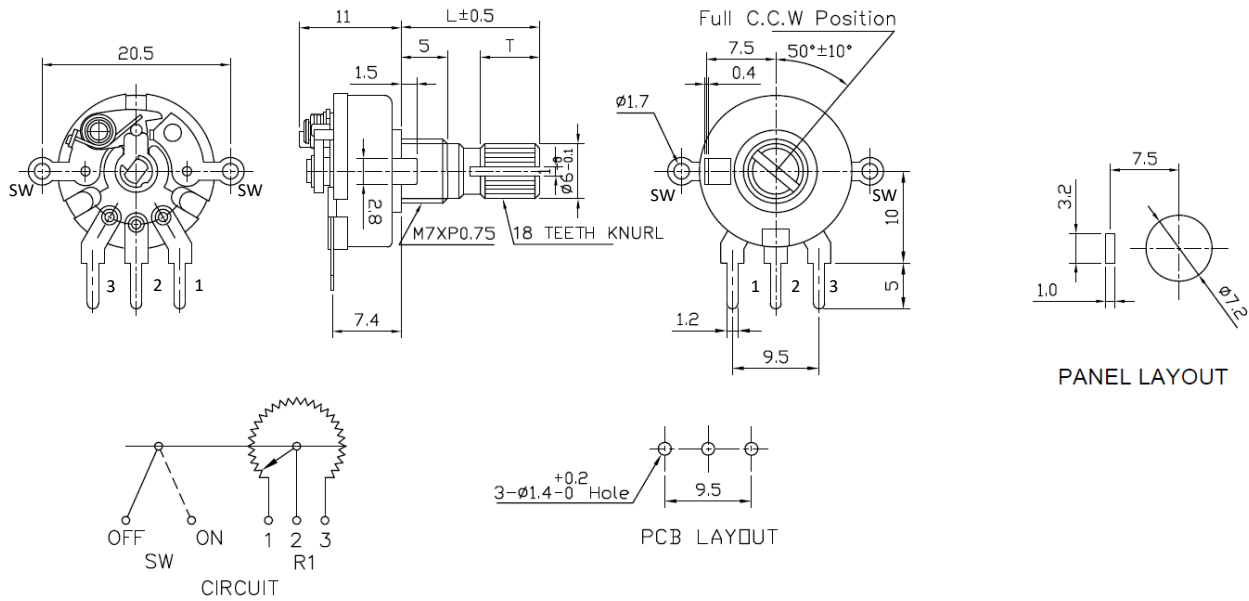
# 17mm Rotary Potentiometer

P170

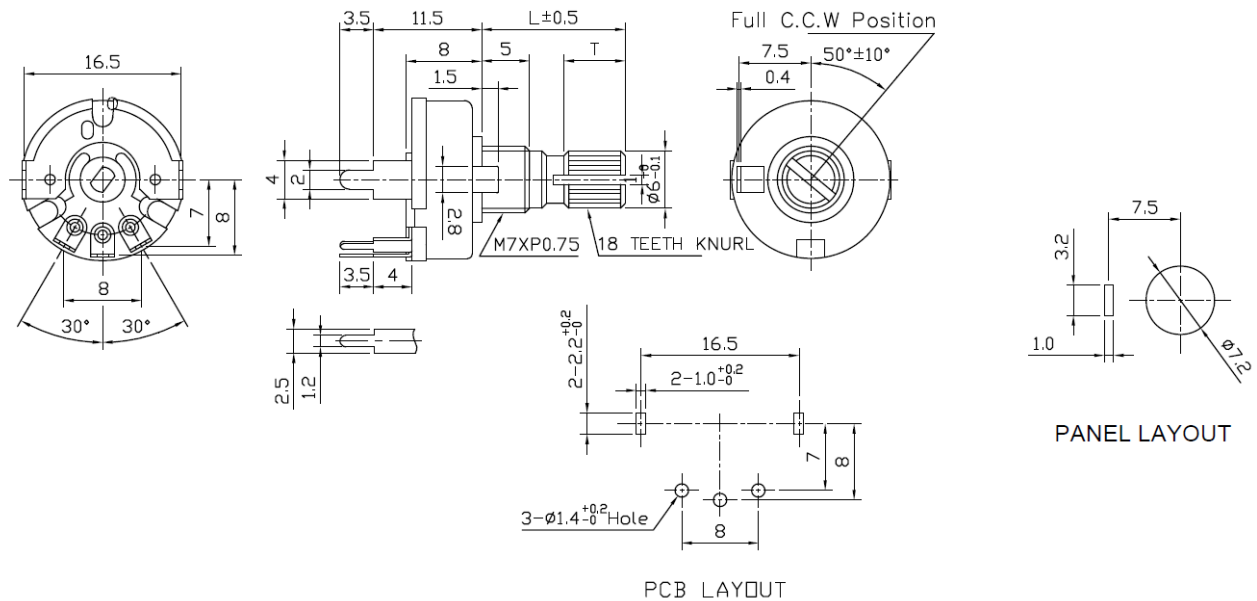


## Outline Drawings

### MODEL P170S2 (Side Adjust, PCB Pins with Switch)



### MODEL P170NP1 (Top Adjust, PCB Pins)



#### General Note

TT Electronics reserves the right to make changes in product specification without notice or liability. All information is subject to TT Electronics' own data and is considered accurate at time of going to print.

© TT electronics plc

TT Electronics | BI Technologies  
 413 Rood RD, Suite 7  
 Calexico, CA 92231  
 Ph: +1 714 447 2345  
[www.ttelectronics.com/bi-technologies](http://www.ttelectronics.com/bi-technologies)

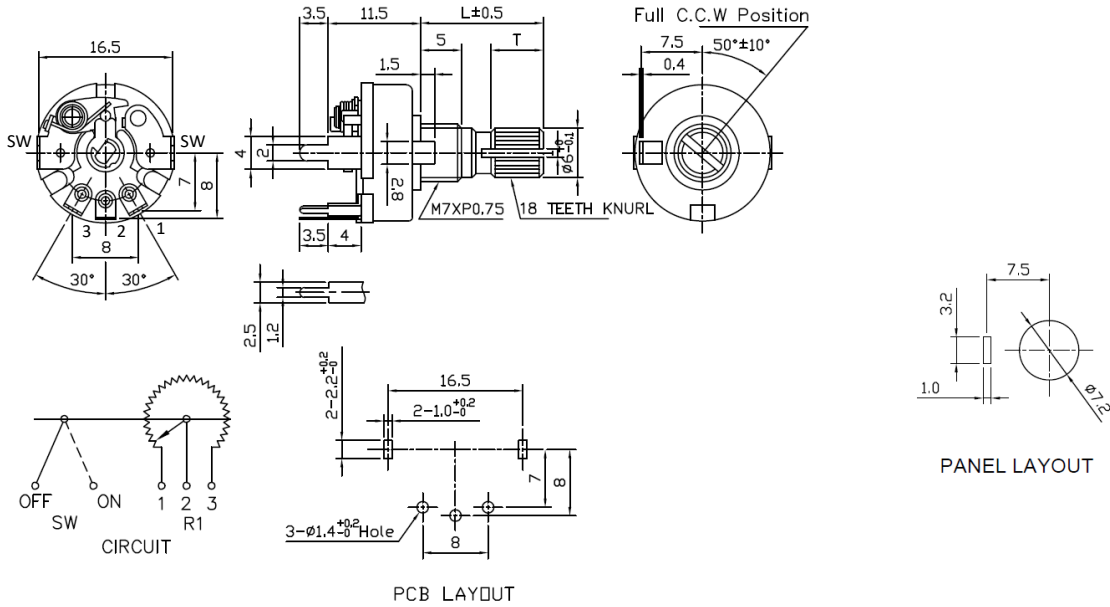
# 17mm Rotary Potentiometer

P170

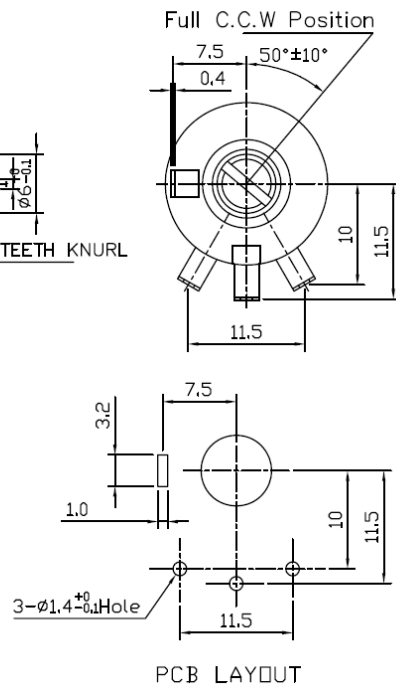


## Outline Drawings

**MODEL P170SP1 (Top Adjust, PCB Pins with Switch)**



**MODEL P170NPD (Rear Adjust, PCB Pins)**



**General Note**

TT Electronics reserves the right to make changes in product specification without notice or liability. All information is subject to TT Electronics' own data and is considered accurate at time of going to print.

© TT electronics plc

TT Electronics | BI Technologies  
 413 Rood RD, Suite 7  
 Calexico, CA 92231  
 Ph: +1 714 447 2345  
[www.ttelectronics.com/bi-technologies](http://www.ttelectronics.com/bi-technologies)

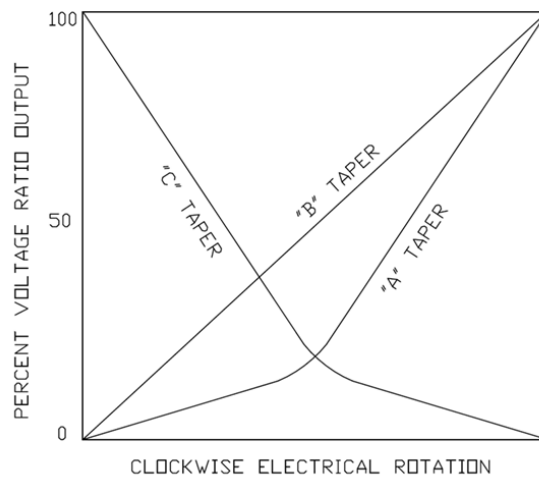
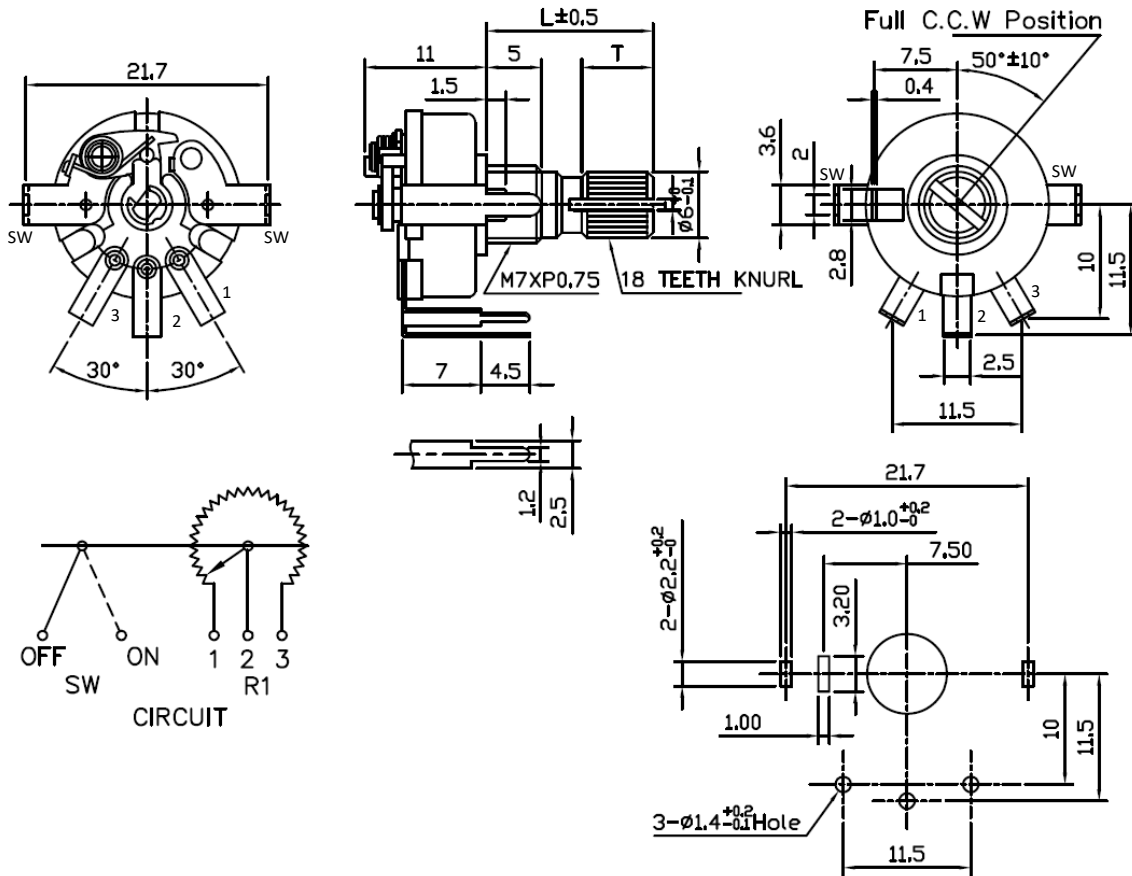
# 17mm Rotary Potentiometer

P170



## Outline Drawings

MODEL P170SPD (Rear Adjust, PCB Pins with Switch)



General Note  
 TT Electronics reserves the right to make changes in product specification without notice or liability. All information is subject to TT Electronics' own data and is considered accurate at time of going to print.

© TT electronics plc

TT Electronics | BI Technologies  
 413 Rood RD, Suite 7  
 Calexico, CA 92231  
 Ph: +1 714 447 2345  
 www.ttelectronics.com/bi-technologies

# Mouser Electronics

Authorized Distributor

Click to View Pricing, Inventory, Delivery & Lifecycle Information:

## TT Electronics:

[P170S2-QC15BR1K](#) [P170N2-QC10BR500K](#) [P170N-QC12BR50K](#) [P170N-QC12BR10K](#) [P170NPD-FB20BR100K](#)  
[P170N-QC12BR5K](#) [P170N2-QC12BR5K](#) [P170N-QC20BR500](#) [P170N-QC12BR500](#) [P170N-QC12BR500K](#) [P170N-QC15BR500](#) [P170S-EA10BR500K](#) [P170S2-FC20BR100K](#) [P170S2-EC20BR100K](#) [P170S-QC15BR1MEG](#) [P170S-FC15BR100K](#) [P170NP1-QC15BR50K](#) [P170N2-QC25BR1K](#) [P170S-FC20BR10K](#) [P170SPD-QC20BR200K](#) [P170NPD-FC10BR10K](#) [P170NP1-QC15BR10K](#) [P170NP1-QC20BR10K](#) [P170NP1-QC15BR500K](#) [P170SP1-QC15BR10K](#) [P170NP1-QC12BR5K](#) [P170SP1-QC20BR1K](#) [P170SP1-FC15AR10K](#) [P170SPD-QC15BR10K](#) [P170NP1-FD15AR50K](#) [P170NP1-QC15BR20K](#) [P170S-EC20AR100K](#) [P170NP1-FD15BR100K](#) [P170N-EB15BR1K](#) [P170NP1-FD15BR10K](#) [P170NPD-QC15BR500K](#) [P170NPD-FC12BR10K](#) [P170NP1-QC12BR50K](#) [P170NPD-QC15BR50K](#) [P170N2-QC12BR50K](#) [P170NP1-FD15BR500K](#) [P170N-EB15BR10K](#) [P170NP1-QC15BR1MEG](#) [P170N2-QB20BR100K](#) [P170N2-EC15BR1K](#) [P170N2-QC20BR100K](#) [P170NP1-QC15BR100K](#) [P170NP1-QC15BR200K](#) [P170NPD-FC15AR10K](#) [P170SP1-FC15BR10K](#) [P170NPD-FC11AR10K](#) [P170NPD-QC15BR5K](#) [P170NPD-FC10AR10K](#) [P170S-EC15BR100K](#) [P170NP1-FD15AR100K](#) [P170NPD-FC11BR10K](#) [P170NPD-FC12AR10K](#) [P170SP1-EA15BR100K](#) [P170NP1-FD15BR50K](#) [P170SP1-QC10AR10K](#) [P170SPD-QA13BR100K](#) [P170SPD-FC15BR10K](#) [P170NP1-FD15AR10K](#) [P170S-QC12AR100K](#) [P170NP1-QC15BR5K](#) [P170NPD-FC15BR10K](#) [P170SP1-FC15BR500K](#) [P170NPD-FD25BR10K](#) [P170NP1-FC15BR5K](#) [P170SP1-FC15BR5K](#) [P170N-FC15AR500K](#) [P170N2-FC15BR20K](#) [P170SP1-FC15BR50K](#) [P170S2-QC15AR10K](#) [P170S-QA15BR500K](#) [P170NP1-EC15BR50K](#) [P170NP1-EC15BR5K](#) [P170NP1-EC15BR1K](#) [P170NP1-EC15BR10K](#)