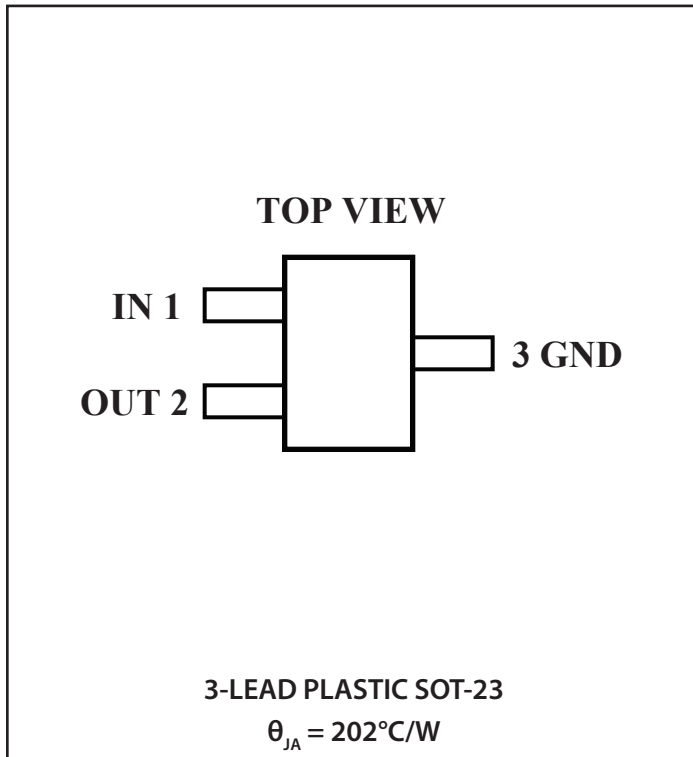
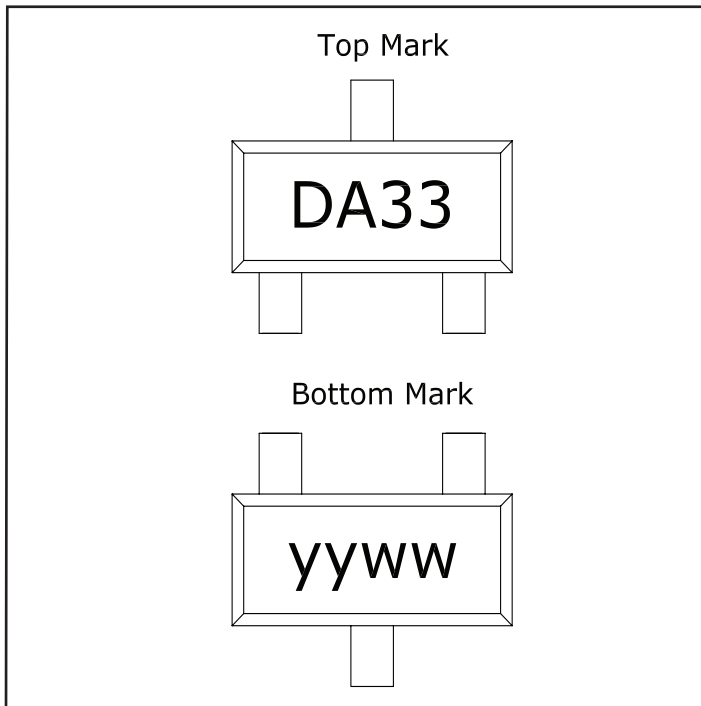


Pin Configuration

Ordering Information

Device	Package
SC4437SK-3.3TRT	3-Lead Plastic SOT-23
SC4437EVB	Evaluation Board

Notes:

- (1) Available in tape and reel only. A reel contains 3,000 devices.
- (2) Pb-Free, Halogen Free, RoHS/WEEE compliant product.

Marking Information


Absolute Maximum Ratings

V_{IN} Voltage	30V
Reverse Voltage	-15V
Output Short Circuit Duration	Indefinite ⁽¹⁾
Lead Temperature (Soldering) 10 seconds ⁽²⁾	260°C
ESD Rating	2kV

Recommended Operating Conditions

V_{IN} Voltage	4.2 to 28V
Maximum Output Current	20mA
Temperature Range	-40°C to 125°C

Thermal Information

Thermal Resistance, Junction to Ambient ⁽³⁾	202 °C/W
Maximum Junction Temperature	+150°C
Storage Temperature Range ⁽⁴⁾	-65°C to +150°C

Exceeding the above specifications may result in permanent damage to the device or device malfunction. Operation outside of the parameters specified in the Electrical Characteristics section is not recommended.

NOTES:

- (1) For $V_{IN} \leq 10V$.
- (2) Compatible for Wave Soldering and IR Reflow.
- (3) Calculated from package in still air, mounted to 3" x 4.5", 4 layer FR4 PCB per JESD51 standards.
- (4) If the part is stored outside of the specified temperature range, the output may drift.

Electrical Characteristics

Unless specified: $V_{IN} = V_{OUT} + 2.5V$, $I_{OUT} = 0$, $C_{IN} = 0.1\mu F$, $C_O = 0\mu F$, $-40^\circ C < T_A = T_J < 125^\circ C$

Parameter	Symbol	Conditions	Min	Typ	Max	Units	
INPUT							
Input Voltage Range	V_{IN}	Refer to Line Regulation Spec.	4.2		28	V	
Drop Out Voltage	$V_{IN} - V_{OUT}$	$I_{OUT} = 0$		0.6	0.9	V	
		$I_{OUT} = 10mA$, $T_A = 25^\circ C$		0.9	1.28	V	
		$I_{OUT} = 10mA$			1.38	V	
Leakage Current for Input Voltage Reverse Connection	I_{REV}	$V_{IN} = -15V$		2	6	μA	
Quiescent Current	I_Q	$T_A = 25^\circ C$		110	180	μA	
					220	μA	
OUTPUT							
Output Voltage	V_{OUT}	$T_J = 25^\circ C$		3.3		V	
Output Voltage Accuracy	%	$0^\circ C \leq T_J < 100^\circ C$, $0mA < I_{OUT} \leq 20mA$, $4.2V \leq V_{IN} \leq 28V$	-1		1	%	
Line Regulation	dV_{OUT}/dV_{IN}	$V_{OUT} + 0.9V \leq V_{IN} \leq V_{OUT} + 2.5V$	$T_A = 25^\circ C$		100	500	ppm/V
						3300	ppm/V
		$V_{OUT} + 2.5V \leq V_{IN} \leq 28V$	$T_A = 25^\circ C$		50	100	ppm/V
						300	ppm/V

Electrical Characteristics (continued)

Unless specified: $V_{IN} = V_{OUT} + 2.5V$, $I_{OUT} = 0$, $C_{IN} = 0.1\mu F$, $C_O = 0\mu F$, $-40^\circ C < T_A = T_J < 125^\circ C$

Parameter	Symbol	Conditions	Min	Typ	Max	Units	
Load Regulation	dV_{OUT}/dI_{LOAD}	$I_{OUT} = 100\mu A$	$T_A = 25^\circ C$		3000	4000	ppm/mA
						6000	ppm/mA
		$I_{OUT} = 10mA$	$T_A = 25^\circ C$		100	150	ppm/mA
						250	ppm/mA
		$I_{OUT} = 20mA$	$T_A = 25^\circ C$		75	100	ppm/mA
						150	ppm/mA
Output Voltage Temperature Coefficient	dV_{OUT}/dT	$0^\circ C \leq T_J < 105^\circ C$		80	120	ppm/ $^\circ C$	
Output Short Circuit Current	I_{SC}	Short V_{OUT} to GND, $T_A = 25^\circ C$		55		mA	
DYNAMIC							
Turn-On Settling Time	T_{ON}	$V_{IN} > V_{OUT} + 2.5V$, V_{OUT} settles to $\pm 0.05\%$ of final value			3 ⁽¹⁾	ms	

NOTES:

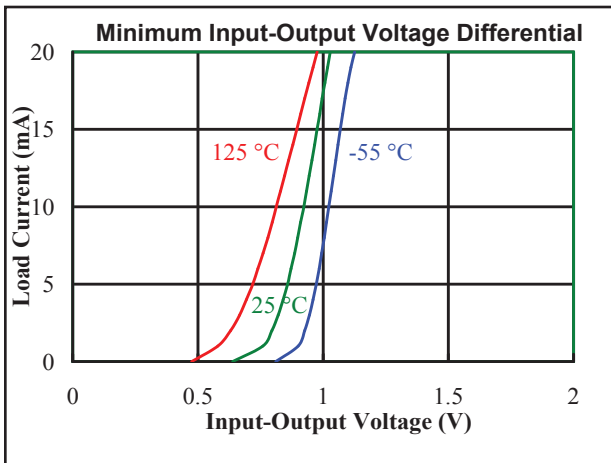
(1) Guaranteed by design.

Pin Descriptions

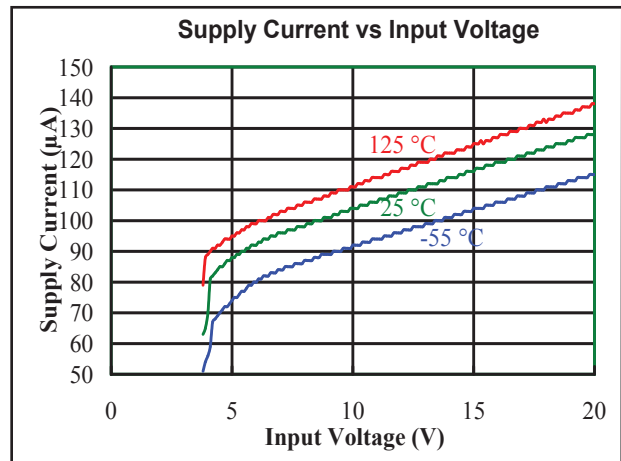
Pin #	Pin Name	Pin Function
1	V _{IN}	Input supply voltage for the precision voltage reference.
2	V _{OUT}	Output voltage.
3	GND	Ground connection for the circuit.

Typical Waveforms

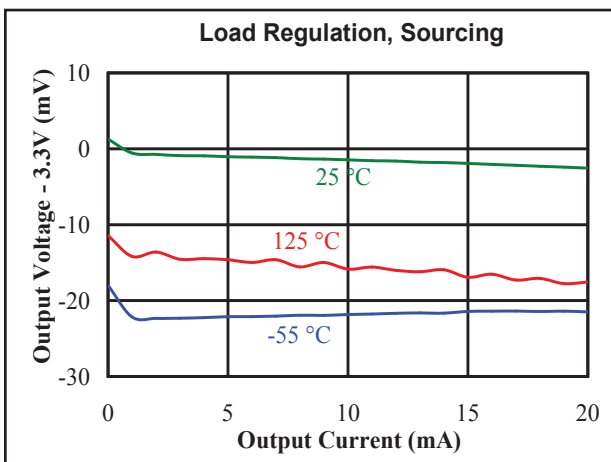
Minimum Input - Output Voltage Differential



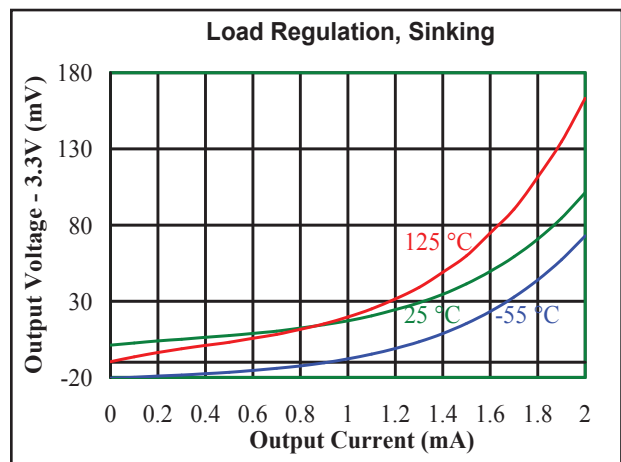
Supply Current vs Input Voltage



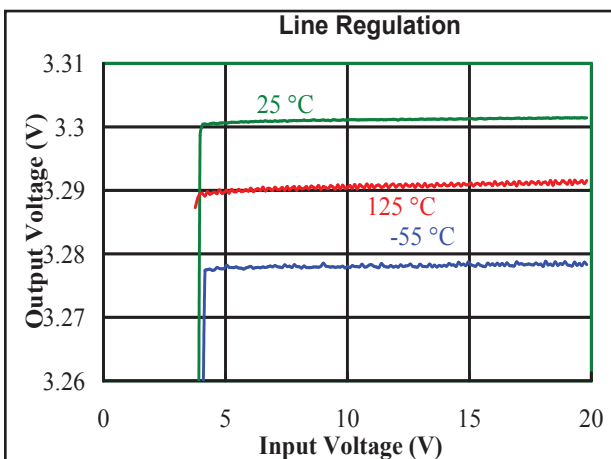
Load Regulation - Sourcing



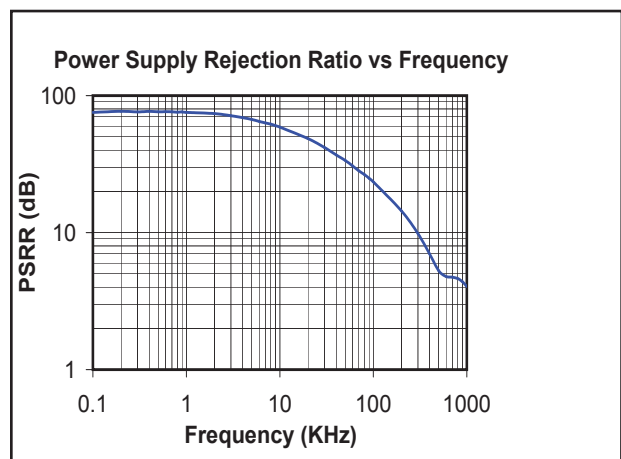
Load Regulation - Sinking



Line Regulation

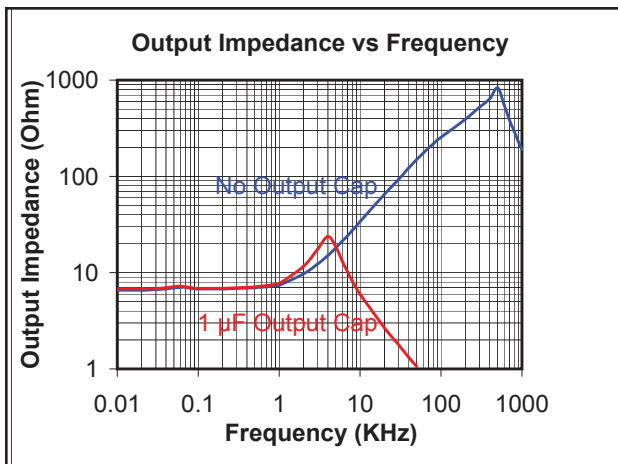


Power Supply Rejection Ratio vs Frequency

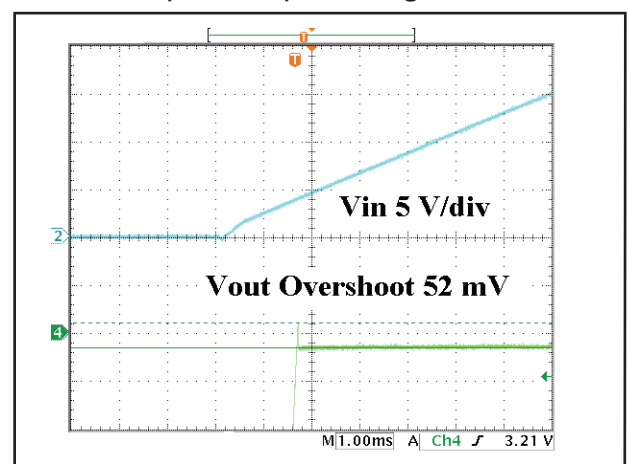


Typical Waveforms (Continued)

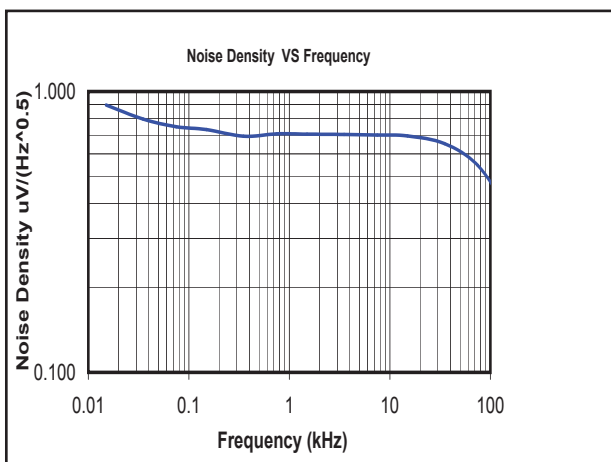
Output Impedance



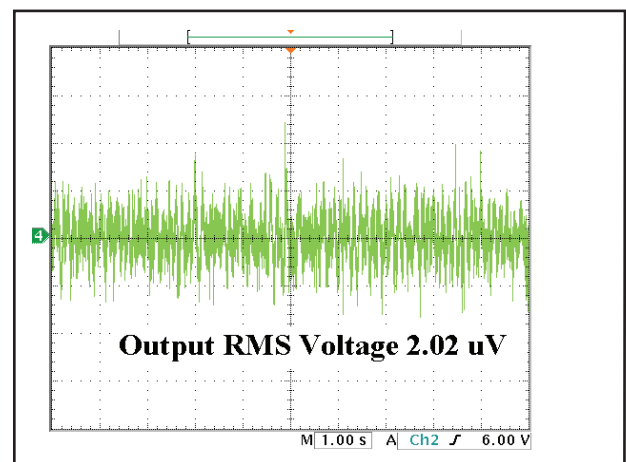
Start Up with Input Voltage 20 V



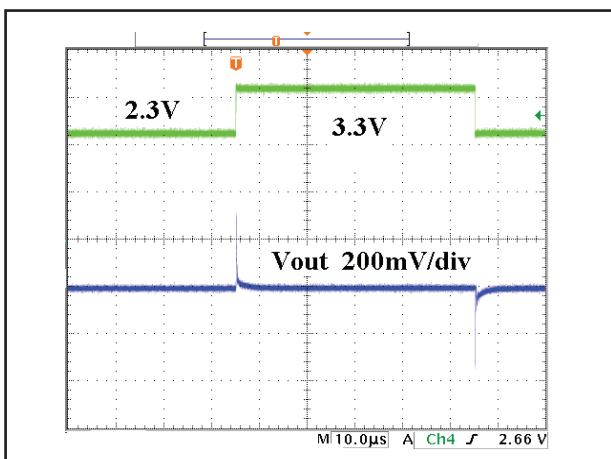
Output Noise Performance 10 Hz to 100 kHz



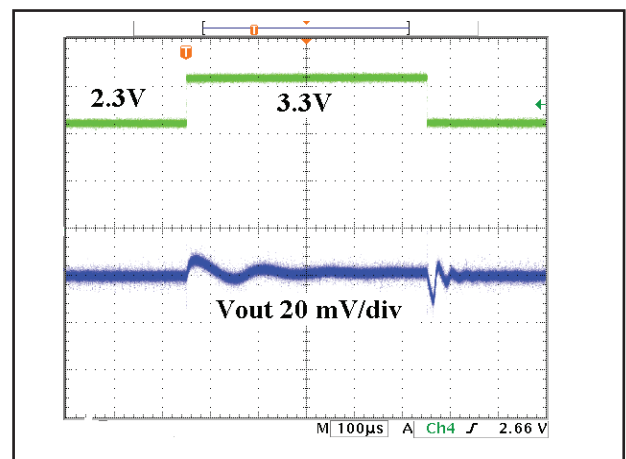
Output Noise Waveform 0.1Hz to 10 Hz



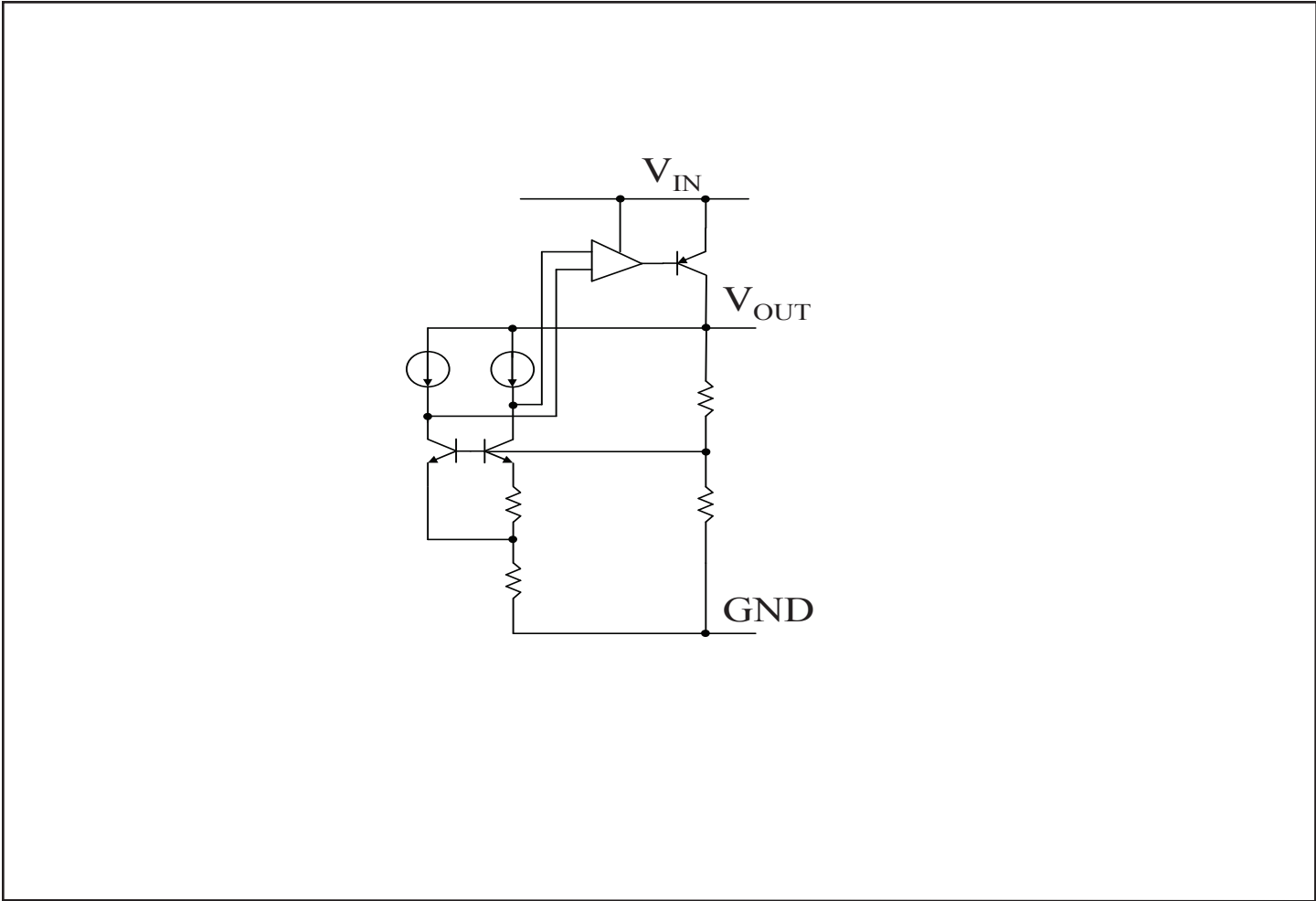
1 mA Transient Response without Output Cap



1 mA Transient Response with 1 μ F Output Cap



Block Diagram



Applications Information

Advantage Over Shunt References

The SC4437 is a low power precision series voltage reference. The series reference has major advantages over shunt references when the load current has variations and the reference is powered by a battery. A shunt reference requires a resistance to connect the input and the output. This resistance will be designed to consume the maximum load current. When the actual load current is smaller than the maximum load current, the difference will be consumed by the reference. This behavior not only reduce efficiency but also increase the thermal stress on the device, thus is not desirable. On the contrary, the series reference consumes the same current as the load. When there is no load current required, the device itself consumes very little current (in the scale of 10s of μA).

Precision Reference Over Wide Input Voltage Range, Load Conditions and Operating Temperatures

The SC4437 can maintain 1% precision regulation over wide load range, operating temperature condition and input voltage range. To provide 3.3V output voltage, the load can range from 0 to 20mA; the temperature can range from $-40\text{ }^{\circ}\text{C}$ to $125\text{ }^{\circ}\text{C}$; the input voltage can range from $V_{\text{OUT}} + 0.9\text{V}$ to 28V, depending on the load and temperature conditions. The input voltage range should be selected based on the drop out voltage specification. Although the SC4437 can maintain tight regulation over wide operating conditions, attention should be paid to the thermal stress of the device. For example, with the input voltage of 28V and the load current of 20mA, the power consumption on the device is

$$P = (28\text{V} - 3.3\text{V}) * 0.02\text{A} = 0.494\text{W}$$

With the thermal resistance of $202\text{ }^{\circ}\text{C}/\text{W}$, the power consumption on the chip gives an ambient to junction temperature increase of $99.8\text{ }^{\circ}\text{C}$. If the ambient temperature is higher than $25\text{ }^{\circ}\text{C}$, then the junction temperature will be higher than $125\text{ }^{\circ}\text{C}$, thus should be avoided.

Input and Output Capacitances

The SC4437 is stable with or without output capacitors under all load conditions. Adding output capacitances can

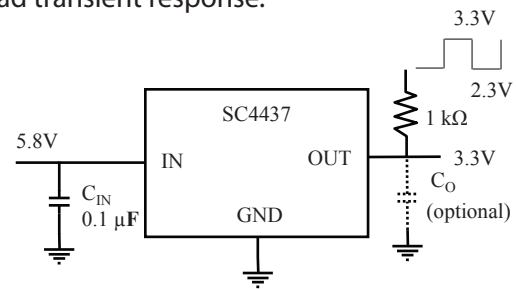
improve the dynamic response under load transient. In order to obtain optimum performance under load transient, it is recommended that a $0.1\text{ }\mu\text{F}$ ceramic capacitor placed at the input and a $1\text{ }\mu\text{F}$ (and up) ceramic capacitor placed at the output.

Reverse Battery Connection Protection

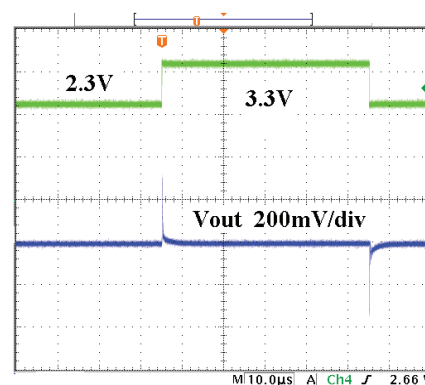
The SC4437 has reverse battery connection protection. When the input and ground is reversely connected, the leakage current from the input is very small (maximum $6\text{ }\mu\text{A}$), protecting both the battery and the device itself.

Load Transient Responses

The following figure shows the circuit setup to test the 1 mA load transient response.



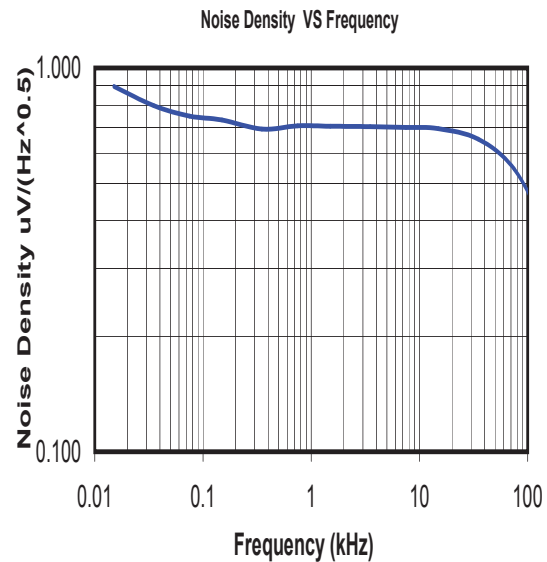
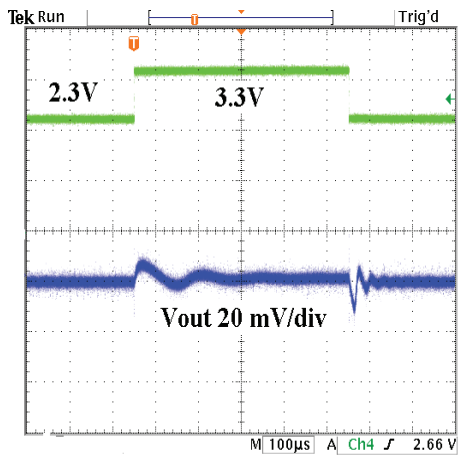
Without output capacitance, the transient response is shown below.



The high overshoot is due to the high resistance at high frequency without output capacitance.

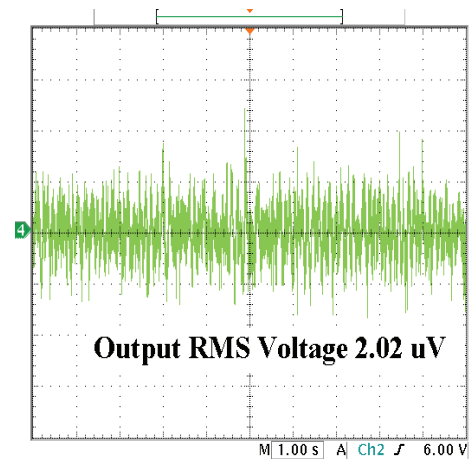
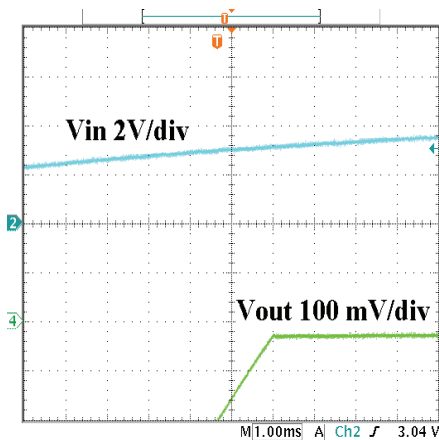
With $1\text{ }\mu\text{F}$ capacitance, the transient response is improved significantly. The figure below shows the 1mA transient response with $1\text{ }\mu\text{F}$ capacitance at the output.

Applications Information (continued)



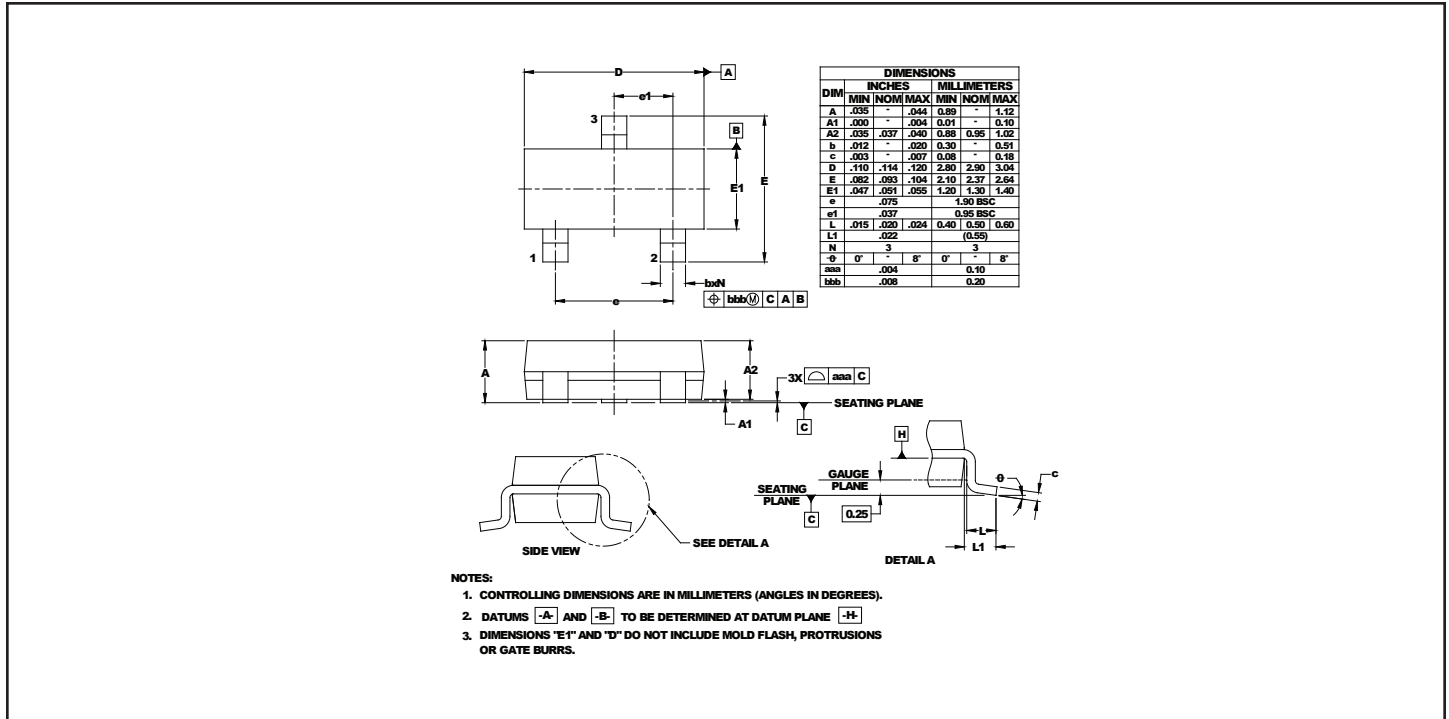
Start Up

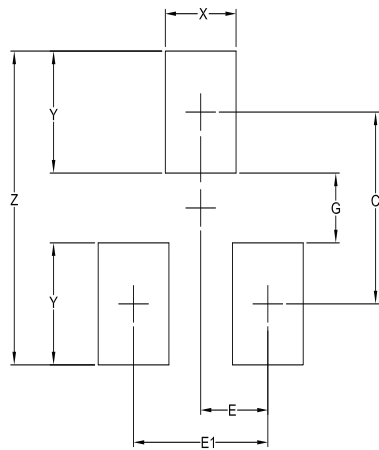
With the input voltage 5.8V, the device shows very small start up overshoot, as shown by the figure below.



Low Noise Operation

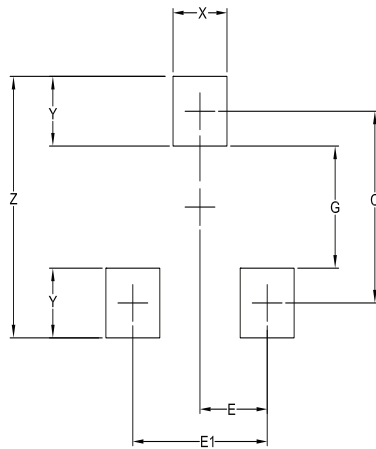
The SC4437 is a low noise reference. The noise is measured with high gain amplification and band filtering. Without any output capacitor the noise level is measured to be around $0.7 \mu\text{V}/\sqrt{\text{Hz}}$ from 0 to 100 kHz. With output capacitor the noise level will be significantly lower. The following figure shows the noise measurement result under room temperature without output capacitor from 10Hz to 100kHz and the scope picture of noise measurement result from 0.1 Hz to 10 Hz.

Outline Drawing – SOT-23 3L


Land Pattern – SOT-23


(RECOMMENDED LAND PATTERN FOR REFLOW SOLDERING)

DIMENSIONS		
DIM	INCHES	MILLIMETERS
C	(.087)	(2.20)
E	.037	0.95
E1	.075	1.90
G	.031	0.80
X	.039	1.00
Y	.055	1.40
Z	.141	3.60



(RECOMMENDED LAND PATTERN FOR WAVE SOLDERING)

DIMENSIONS		
DIM	INCHES	MILLIMETERS
C	(.087)	(2.20)
E	.037	0.95
E1	.075	1.90
G	.055	1.40
X	.030	0.76
Y	.032	0.80
Z	.118	3.00

NOTES:

1. THIS LAND PATTERN IS FOR REFERENCE PURPOSES ONLY. CONSULT YOUR MANUFACTURING GROUP TO ENSURE YOUR COMPANY'S MANUFACTURING GUIDELINES ARE MET.
2. REFERENCE IPC-SM-782A.

Contact Information

Semtech Corporation
 Power Management Products Division
 200 Flynn Road, Camarillo, CA 93012
 Phone: (805) 498-2111 Fax: (805) 498-3804

www.semtech.com

Mouser Electronics

Authorized Distributor

Click to View Pricing, Inventory, Delivery & Lifecycle Information:

[Semtech:](#)

[SC4437SK-3.3TRT](#)