

Description:

The uPG2012TK-EVAL-A evaluation board provides a quick and convenient means of evaluating the performance of the NEC uPG2012TK switch. In addition to the device, the board provides DC block capacitors, power supply bypass capacitors, and RF and DC connectors.

A DC block capacitor is required at all RF ports. On this board, two parallel capacitors of 22pF are used for this purpose. This configuration minimizes the mismatch effect associated with the serial capacitors over a wide frequency range. In a real application where the operation frequency range is relatively narrow, one DC block capacitor usually is sufficient. The user should select the appropriate capacitor value according to the operation frequencies and the type of capacitor selected. Generally the performance of the switch circuit is not sensitive, to a certain extent, to the value of DC block capacitors.

A 1000pF DC bypass capacitor is used on all control lines. For high speed applications the user may choose smaller capacitance or no capacitor at all.

DC supply connectors:

P1 is control voltage V_{cont} , P2 is V_{dd} and pins P3 and P4 are the ground. V_{dd} and V_{cont} should be connected to separate power supplies to provide the required control logic.

RF connectors:

As indicated on the board, J1 is connected to the OUTPUT1 port, J2 is connected to the OUTPUT2 port and J3 is connected to the INPUT port.

Information on Board Material:

The board material is 20 mil thick Duroid 6002. Its dielectric constant is 2.94.

Switch Logic Table:

The following table lists the logic table for switch states.

Vdd	Vcont	INPUT – OUTPUT1	INPUT – OUTPUT2
H	L	OFF	ON
H	H	ON	OFF

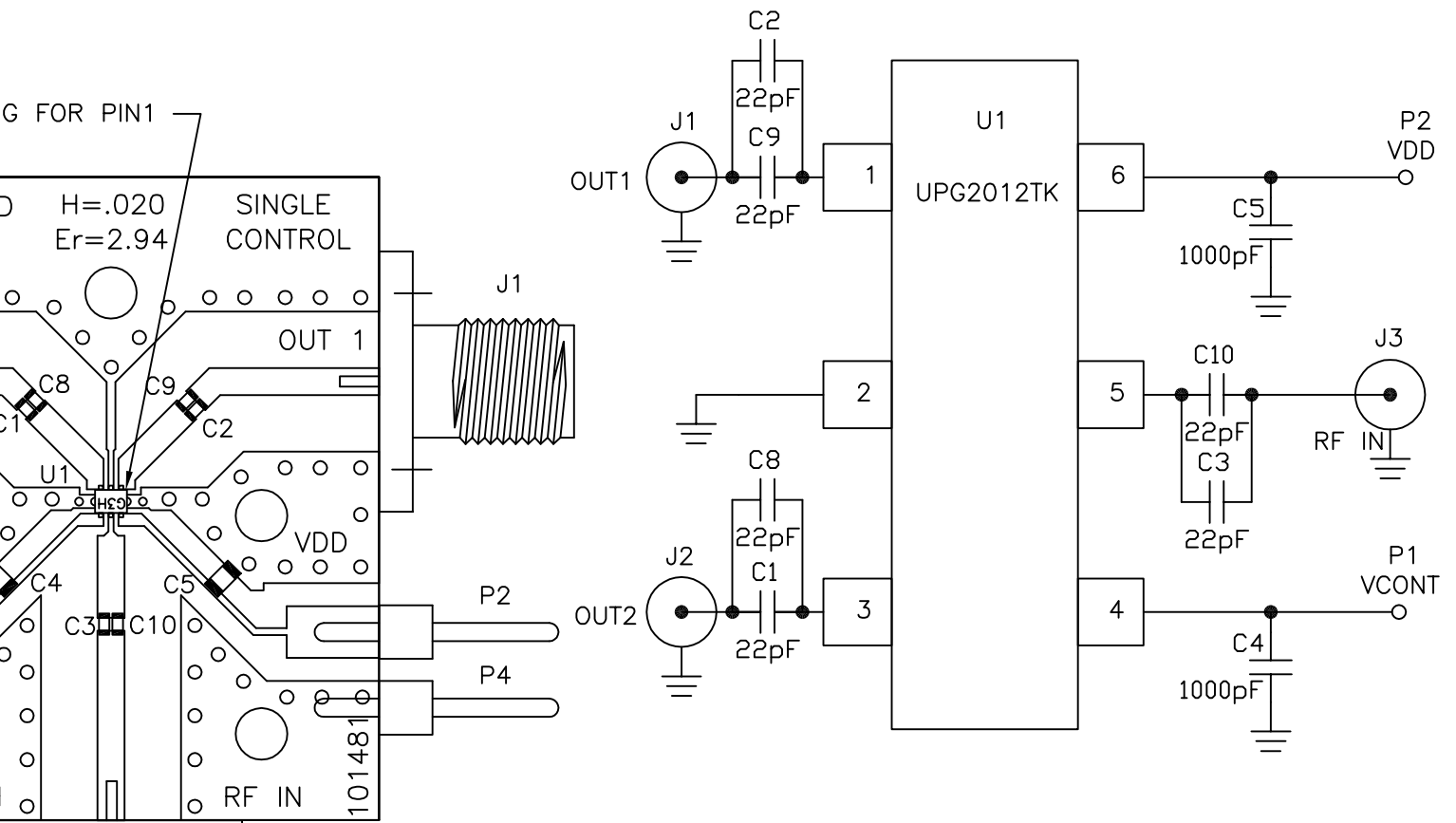
Insertion Loss of Through Board:

In assessing the insertion loss of the switch by measuring S21 of the evaluation board, it is necessary to take into account the loss through the connectors and PCB trace. To this end a through board was characterized to determine the board/connector loss. The table below lists the board loss at different frequencies.

INPUT FREQUENCY (GHz)	BOARD LOSS (dB)
0.5	0.053
1.0	0.073
1.5	0.107
2.0	0.120
2.5	0.133

PECIFIED.

REVISIONS				
ZONE	LTR	DESCRIPTION	DATE	APPROVED



1	UPG2012TK	U1	IC NEC	6
2	GRM1885C1H102JA01D	C4,C5	0603 1000pF CAP MURATA	5
6	GRM1555C1H220JZ01D	C1,C2,C3,C8,C9,C10	0402 22pF CAP MURATA	4
4	2340-6111 TG	P1,P2,P3,P4	PIN HEADER 3M	3
3	5308-2CC	J1,J2,J3	SMA FEMALE CONNECTOR TENSOLITE	2
1	FD-101481	PCB	FABRICATION DRAWING	1
QTY	PART OR IDENTIFYING NO.	NOMENCLATURE OR DESCRIPTION	MATERIAL/SPECIFICATION	ITEM NO.

PARTS LIST

UNLESS OTHERWISE SPECIFIED DIMENSIONS ARE IN INCHES		APPROVALS		CEL CALIFORNIA EASTERN LABS 4590 PATRICK HENRY DR. SANTA CLARA CA. 95054 TITLE: TK SWITCH/SINGLE CONTROL ASSEMBLY DRAWING	
DECIMALS .XX±	TOLERANCES ANGULAR ±	DRAWN TMILLER	8/29/02	SIZE C	FSCM NO.
DO NOT SCALE DRAWING	MATERIAL	DESIGNED	CHECKED	DWG NO. AD-101481	REV -
NEXT ASSY	USED ON	PROJECT ENGINEER	QUALITY	SCALE	RELEASE DATE NR
APPLICATION	FINISH			SHEET 1	OF 1

PIN1
CHIP

Mouser Electronics

Authorized Distributor

Click to View Pricing, Inventory, Delivery & Lifecycle Information:

[CEL:](#)

[UPG2012TK-EVAL-A](#)