

Force-Sense Switches

ABSOLUTE MAXIMUM RATINGS

(Voltages referenced to GND)

| | |
|---|---------------------------------|
| V+ |-0.3V to +44V |
| V- |-25V to +0.3V |
| V+ to V- |-0.3V to +44V |
| All Other Pins (Note 1) |(V- - 0.3V) to (V+ + 0.3V) |
| Continuous Current into Force Terminals |±100mA |
| Continuous Current into Any Other Terminal |±30mA |
| Peak Current into Force Terminals (pulsed at 1ms, 10% duty cycle) |±300mA |
| Peak Current into Any Other Terminal (pulsed at 1ms, 10% duty cycle) |±100mA |

| | |
|---|----------------------|
| ESD per Method 3015.7 |>2000V |
| Continuous Power Dissipation (T _A = +70°C) | |
| Plastic DIP (derate 10.53mW/°C above +70°C) |842mW |
| Narrow SO (derate 8.7mW/°C above +70°C) |696mW |
| Operating Temperature Ranges | |
| MAX455_C_E |0°C to +70°C |
| MAX455_E_E |-40°C to +85°C |
| Storage Temperature Range |-65°C to +150°C |
| Lead Temperature (soldering, 10sec) |+300°C |

Note 1: Signals on analog or digital pins exceeding V+ or V- are clamped by internal diodes. Limit forward diode current to maximum current rating.

Stresses beyond those listed under "Absolute Maximum Ratings" may cause permanent damage to the device. These are stress ratings only, and functional operation of the device at these or any other conditions beyond those indicated in the operational sections of the specifications is not implied. Exposure to absolute maximum rating conditions for extended periods may affect device reliability.

ELECTRICAL CHARACTERISTICS—MAX4554 (+20V, -10V Supplies)

(V+ = +20V, V- = -10V, V_L = 5V, GND = 0V, V_{IN_H} = 2.4V, V_{IN_L} = 0.8V, T_A = T_{MIN} to T_{MAX}, unless otherwise noted. Typical values are at T_A = +25°C.)

| PARAMETER | SYMBOL | CONDITIONS | T _A | MIN | TYP (Note 2) | MAX | UNITS |
|--|--|--|----------------|-------|-----------------|------|-------|
| 6Ω ANALOG SWITCH (FORCE) | | | | | | | |
| Analog Signal Range | V _{COMF} , V _{NOF_} | (Note 3) | C, E | V- | | V+ | V |
| On-Resistance | R _{ON} | V _{COMF} = 10V, I _{COMF} = 10mA | +25°C | | 3.5 | 6 | Ω |
| | | | C, E | | | 7 | |
| On-Resistance Match (Note 4) | ΔR _{ON} | V _{COMF} = 10V, I _{COMF} = 10mA | +25°C | | 0.4 | 1 | Ω |
| | | | C, E | | | 1.5 | |
| On-Resistance Flatness (Note 5) | R _{FLAT(ON)} | V _{COMF} = +5V, 0V, -5V; I _{COMF} = 10mA | +25°C | | 0.5 | 1.5 | Ω |
| | | | C, E | | | 2.0 | |
| NOF_ Off-Leakage Current | I _{NOF(OFF)} | V+ = 22V, V- = -11V, V _{COMF} = ±10V, V _{NOF_} = ∓10V | +25°C | -0.25 | 0.03 | 0.25 | nA |
| | | | C, E | -2.5 | | 2.5 | |
| COMF Off-Leakage Current | I _{COMF(OFF)} | V+ = 22V, V- = -11V, V _{COMF} = ±10V, V _{NOF_} = ∓10V | +25°C | -0.5 | 0.03 | 0.5 | nA |
| | | | C, E | -2.5 | | 2.5 | |
| COMF On-Leakage Current | I _{COMF(ON)} | V+ = 22V, V- = -11V, V _{COMF} = ±10V | +25°C | -0.5 | 0.06 | 0.5 | nA |
| | | | C, E | -10 | | 10 | |
| Charge Injection | Q | V _{COMF} = 0, Figure 13 | C, E | | 80 | | pC |
| 60Ω ANALOG SWITCH (SENSE-GUARD) | | | | | | | |
| Analog Signal Range | V _{COMS} , V _{COMG} , V _{NOS_} , V _{NOG_} | (Note 3) | C, E | V- | | V+ | V |
| On-Resistance | R _{ON} | V _{COM_} = 10V, I _{COM_} = 1mA | +25°C | | 34 | 60 | Ω |
| | | | C, E | | | 70 | |
| On-Resistance Match (Note 4) | ΔR _{ON} | V _{COM_} = 10V, I _{COM_} = 1mA | +25°C | | 5 | 8 | Ω |
| | | | C, E | | | 10 | |

Force-Sense Switches

MAX4554/MAX4555/MAX4556

ELECTRICAL CHARACTERISTICS—MAX4554 (+20V, -10V Supplies) (continued)

(V+ = +20V, V- = -10V, VL = 5V, GND = 0V, VIN_H = 2.4V, VIN_L = 0.8V, TA = TMIN to TMAX, unless otherwise noted. Typical values are at TA = +25°C.)

| PARAMETER | SYMBOL | CONDITIONS | TA | MIN | TYP (Note 2) | MAX | UNITS |
|--|--|---|-------|-------|-----------------|------|-------|
| On-Resistance Flatness (Note 5) | R _{FLAT(ON)} | V _{COM_} = +5V, 0V, -5V; I _{COM_} = 10mA | +25°C | | 3.5 | 9 | Ω |
| | | | C, E | | | 10 | |
| NOS_, NOG_ Off-Leakage Current | I _{NOS(OFF)} , I _{NOG(OFF)} | V+ = 22V; V- = -11V; V _{COM_} = ±10V; V _{NOS_} , V _{NOG_} = ±10V | +25°C | -0.25 | 0.02 | 0.25 | nA |
| | | | C, E | -2.5 | | 2.5 | |
| COMS, COMG Off-Leakage Current | I _{COMS(OFF)} , I _{COMG(OFF)} | V+ = 22V; V- = -11V; V _{COM_} = ±10V; V _{NOS_} , V _{NOG_} = ±10V | +25°C | -0.25 | 0.02 | 0.25 | nA |
| | | | C, E | -2.5 | | 2.5 | |
| COMS, COMG On-Leakage Current | I _{COMS(ON)} , I _{COMG(ON)} | V+ = 22V, V- = -11V, V _{COM_} = ±10V | +25°C | -0.5 | 0.04 | 0.5 | nA |
| | | | C, E | -5.0 | | 5.0 | |
| Charge Injection | Q | V _{COM_} = 0, Figure 13 | +25°C | | 6 | | pC |
| LOGIC INPUT | | | | | | | |
| IN_, EN Input Logic Threshold High | V _{IN_H} , V _{ENH} | | C, E | | 1.6 | 2.4 | V |
| IN_, EN Input Logic Threshold Low | V _{IN_L} , V _{ENL} | | C, E | 0.8 | 1.6 | | V |
| IN_, EN Input Current Logic High or Low | I _{IN_H} , I _{IN_L} , I _{ENH} , I _{ENL} | V _{IN_} = V _{EN_} = 0 or VL | C, E | -0.5 | 0.03 | 0.5 | μA |
| SWITCH DYNAMIC CHARACTERISTICS | | | | | | | |
| Turn-On Time (Force) | t _{ON} | V _{COMF} = 3V, R _L = 300Ω, Figure 10 | +25°C | | 150 | 300 | ns |
| | | | C, E | | | 350 | |
| Turn-On Time (Sense-Guard) | t _{ON} | V _{COMS} , V _{COMG} = 10V; R _L = 1kΩ; Figure 10 | +25°C | | 150 | 300 | ns |
| | | | C, E | | | 350 | |
| Turn-Off Time (Force) | t _{OFF} | V _{COMF} = 3V, R _L = 300Ω, Figure 10 | +25°C | | 130 | 300 | ns |
| | | | C, E | | | 350 | |
| Turn-Off Time (Sense-Guard) | t _{OFF} | V _{COMS} , V _{COMG} = 10V; R _L = 1kΩ; Figure 10 | +25°C | | 130 | 300 | ns |
| | | | C, E | | | 350 | |
| Enable Time On | t _{EN} | V _{COM_} = 10V, Figure 11 | +25°C | | 375 | 500 | ns |
| | | | C, E | | | 600 | |
| Enable Time Off | t _{EN} | V _{COM_} = 10V, Figure 11 | +25°C | | 170 | 275 | ns |
| | | | C, E | | | 350 | |
| NOF_ Off-Capacitance | C _{OFF} | V _{NOF} = GND, f = 1MHz, Figure 14 | +25°C | | 22 | | pF |
| NOS_, NOG_ Off-Capacitance | C _{OFF} | V _{NOS_} , V _{NOG_} = GND; f = 1MHz; Figure 14 | +25°C | | 7 | | pF |
| COMF Off-Capacitance | C _{OFF} | V _{COMF} = GND, f = 1MHz, Figure 14 | +25°C | | 50 | | pF |
| COMS, COMG Off-Capacitance | C _{OFF} | V _{COMS} , V _{COMG} = GND; f = 1MHz; Figure 14 | +25°C | | 15 | | pF |
| COMF On-Capacitance | C _{ON} | V _{COMF} = GND, f = 1MHz, Figure 14 | +25°C | | 130 | | pF |
| COMS, COMG On-Capacitance | C _{ON} | V _{COMS} , V _{COMG} = GND; f = 1MHz; Figure 14 | +25°C | | 30 | | pF |
| Total Harmonic Distortion (Force) | THD | | +25°C | | 0.007 | | % |
| Off Isolation (Force) | V _{ISO} | R _{IN_} = 50Ω, R _{OUT} = 50Ω, f = 1MHz, V _{COM_} = 100mV _{RMS} , Figure 15 | +25°C | | -30 | | dB |

Force-Sense Switches

ELECTRICAL CHARACTERISTICS—MAX4554 (+20V, -10V Supplies) (continued)

(V+ = +20V, V- = -10V, VL = 5V, GND = 0V, VIN_H = 2.4V, VIN_L = 0.8V, TA = TMIN to TMAX, unless otherwise noted. Typical values are at TA = +25°C.)

| PARAMETER | SYMBOL | CONDITIONS | TA | MIN | TYP (Note 2) | MAX | UNITS |
|---------------------|------------|---|-------|------|-----------------|-----|-------|
| POWER SUPPLY | | | | | | | |
| Power-Supply Range | V+, VL, V- | VL ≥ 4.5V | C, E | ±4.5 | | ±20 | V |
| V+ Supply Current | I+ | V+ = 22V; V- = -11V; VEN, VIN_ = 0 or VL | +25°C | -1.0 | | 1.0 | μA |
| | | | C, E | -5.0 | | 5.0 | |
| V- Supply Current | I- | V+ = 22V; V- = -11V; VEN, VIN_ = 0 or VL | +25°C | -1.0 | | 1.0 | μA |
| | | | C, E | -5.0 | | 5.0 | |
| VL Supply Current | IL+ | V+ = 22V; V- = -11V; VEN, VIN_ = 0 or VL | +25°C | -1.0 | | 1.0 | μA |
| | | | C, E | -5.0 | | 5.0 | |
| Ground Current | IGND | V+ = 22V; V- = -11V; VEN, VIN_ = 0 or VL | +25°C | -1.0 | | 1.0 | μA |
| | | | C, E | -5.0 | | 5.0 | |

ELECTRICAL CHARACTERISTICS—MAX4554 (±15V Supplies)

(V+ = +15V, V- = -15V, VL = 5V, GND = 0V, VIN_H = 2.4V, VIN_L = 0.8V, TA = TMIN to TMAX, unless otherwise noted. Typical values are at TA = +25°C.)

| PARAMETER | SYMBOL | CONDITIONS | TA | MIN | TYP (Note 2) | MAX | UNITS |
|--|-------------------------------------|--|-------|-------|-----------------|------|-------|
| 6Ω ANALOG SWITCH (FORCE) | | | | | | | |
| Analog Signal Range | VCOMF, VNOF_ | (Note 3) | C, E | V- | | V+ | V |
| On-Resistance | RON | VCOMF = ±10V, ICOMF = 10mA | +25°C | | 4 | 6 | Ω |
| | | | C, E | | | 7 | |
| On-Resistance Match (Note 4) | ΔRON | VCOMF = ±10V, ICOMF = 10mA | +25°C | | 0.5 | 1 | Ω |
| | | | C, E | | | 1.5 | |
| On-Resistance Flatness (Note 5) | RFLAT(ON) | VCOMF = +5V, 0V, -5V; ICOMF = 10mA | +25°C | | 0.1 | 1 | Ω |
| | | | C, E | | | 1.5 | |
| NOF_ Off-Leakage Current | INOF_(OFF) | V+ = 16.5V, V- = -16.5V, VCOMF = ±10V, VNOF_ = ∓10V | +25°C | -0.25 | 0.03 | 0.25 | nA |
| | | | C, E | -2.5 | | 2.5 | |
| COMF Off-Leakage Current | ICOMF(OFF) | V+ = 16.5V, V- = -16.5V, VCOMF = ±10V, VNOF_ = ∓10V | +25°C | -0.5 | 0.03 | 0.5 | nA |
| | | | C, E | -5.0 | | 5.0 | |
| COMF On-Leakage Current | ICOMF(ON) | V+ = 16.5V, V- = -16.5V, VCOMF = ±10V | +25°C | -0.5 | 0.06 | 0.5 | nA |
| | | | C, E | -10 | | 10 | |
| Charge Injection | Q | VCOMF = 0, Figure 13 | +25°C | | 100 | | pC |
| 60Ω ANALOG SWITCH (SENSE-GUARD) | | | | | | | |
| Analog Signal Range | VCOMS, VCOMG, VNOS_, VNOG_ | (Note 3) | C, E | V- | | V+ | V |
| On-Resistance | RON | VCOM_ = ±10V, ICOM_ = 1mA | +25°C | | 38 | 60 | Ω |
| | | | C, E | | | 70 | |

Force-Sense Switches

MAX4554/MAX4555/MAX4556

ELECTRICAL CHARACTERISTICS—MAX4554 (±15V Supplies) (continued)

(V+ = +15V, V- = -15V, VL = 5V, GND = 0V, VIN_H = 2.4V, VIN_L = 0.8V, TA = TMIN to TMAX, unless otherwise noted. Typical values are at TA = +25°C.)

| PARAMETER | SYMBOL | CONDITIONS | TA | MIN | TYP (Note 2) | MAX | UNITS |
|---|-----------------------------|--|-------|-------|-----------------|------|----------|
| On-Resistance Match (Note 4) | ΔR_{ON} | VCOM_ = ±10V, ICOM_ = 1mA | +25°C | 5 | 9 | 10 | Ω |
| | | | C, E | | | | |
| On-Resistance Flatness (Note 5) | RFLAT(ON) | VCOM_ = +5V, 0V, -5V; ICOM_ = 1mA | +25°C | 1.5 | 5 | 6 | Ω |
| | | | C, E | | | | |
| NOS_, NOG Off-Leakage Current | INOS_(OFF), INOG_(OFF) | V+ = 16.5V; V- = -16.5V; VCOM_ = ±10V; VNOS_, VNOG_ = \mp 10V | +25°C | -0.25 | 0.01 | 0.25 | nA |
| | | | C, E | -2.5 | | 2.5 | |
| COMS, COMG Off-Leakage Current | ICOMS(OFF), ICOMG(OFF) | V+ = 16.5V; V- = -16.5V; VCOM_ = ±10V; VNOS_, VNOG_ = \mp 10V | +25°C | -0.25 | 0.01 | 0.25 | nA |
| | | | C, E | -2.5 | | 2.5 | |
| COMS, COMG On-Leakage Current | ICOMS(ON), ICOMG(ON) | V+ = 16.5V, V- = -16.5V, VCOM_ = ±10V | +25°C | -0.5 | 0.02 | 0.5 | nA |
| | | | C, E | -5.0 | | 5.0 | |
| Charge Injection | Q | VCOM_ = 0, Figure 13 | +25°C | 4 | | | pC |
| LOGIC INPUT | | | | | | | |
| IN_, \overline{EN} Input Logic Threshold High | VIN_H, VENH | | C, E | 1.6 | 2.4 | | V |
| IN_, \overline{EN} Input Logic Threshold Low | VIN_L, VENL | | C, E | 0.8 | 1.6 | | V |
| IN_, \overline{EN} Input Current Logic High or Low | IIN_H, IIN_L, IENH, IENL | V \overline{EN} = 0 or VL | C, E | -0.5 | 0.03 | 0.5 | μ A |
| SWITCH DYNAMIC CHARACTERISTICS | | | | | | | |
| Turn-On Time (Force) | tON | VCOM_ = ±10V, RL = 300 Ω , Figure 10 | +25°C | 135 | 275 | 325 | ns |
| | | | C, E | | | | |
| Turn-On Time (Sense-Guard) | tON | VCOM_ = ±10V, RL = 1k Ω , Figure 10 | +25°C | 135 | 225 | 275 | ns |
| | | | C, E | | | | |
| Turn-Off Time (Force) | tOFF | VCOM_ = ±10V, RL = 300 Ω , Figure 10 | +25°C | 170 | 275 | 325 | ns |
| | | | C, E | | | | |
| Turn-Off Time (Sense-Guard) | tOFF | VCOM_ = ±10V, RL = 1k Ω , Figure 10 | +25°C | 135 | 225 | 275 | ns |
| | | | C, E | | | | |
| Enable Time On | tEN | VCOM_ = ±10V, RL = 300 Ω , Figure 11 | +25°C | 310 | 500 | 600 | ns |
| | | | C, E | | | | |
| Enable Time Off | tEN | VCOM_ = ±10V, RL = 300 Ω , Figure 11 | +25°C | 170 | 300 | 400 | ns |
| | | | C, E | | | | |
| NOF_ Off-Capacitance | COFF | VNOF = GND, f = 1MHz, Figure 14 | +25°C | 22 | | | pF |
| NOS_, NOG_ Off-Capacitance | COFF | VNOS_, VNOG_ = GND; f = 1MHz; Figure 14 | +25°C | 9 | | | pF |
| COMF Off-Capacitance | COFF | VCOMF = GND, f = 1MHz, Figure 14 | +25°C | 29 | | | pF |
| COMS, COMG Off-Capacitance | COFF | VCOMS_, VCOMG_ = GND; f = 1MHz; Figure 14 | +25°C | 9 | | | pF |

Force-Sense Switches

ELECTRICAL CHARACTERISTICS—MAX4554 (±15V Supplies) (continued)

(V+ = +15V, V- = -15V, VL = 5V, GND = 0V, VIN_H = 2.4V, VIN_L = 0.8V, TA = TMIN to TMAX, unless otherwise noted. Typical values are at TA = +25°C.)

| PARAMETER | SYMBOL | CONDITIONS | TA | MIN | TYP (Note 2) | MAX | UNITS |
|--------------------------------------|------------|--|-------|------|-----------------|-----|-------|
| COMF On-Capacitance | CON | VCOMF = GND, f = 1MHz, Figure 14 | +25°C | | 107 | | pF |
| COMS, COMG On-Capacitance | CON | VCOMS, VCOMG_ = GND; f = 1MHz; Figure 14 | +25°C | | 29 | | pF |
| Total Harmonic Distortion (Force) | THD | | +25°C | | 0.007 | | % |
| Off Isolation (Force) | VISO | RIN_ = 50Ω, ROUT = 50Ω, f = 1MHz, VCOM_ = 100mVRMS, Figure 15 | +25°C | | -30 | | dB |
| POWER SUPPLY | | | | | | | |
| Power-Supply Range | V+, VL, V- | VL ≥ 4.5V | C, E | ±4.5 | | ±20 | V |
| V+ Supply Current | I+ | V+ = 16.5V; V- = -16.5V; VEN, VIN_ = 0 or V+ | +25°C | -1.0 | 0.001 | 1.0 | μA |
| | | | C, E | -5.0 | | 5.0 | |
| V- Supply Current | I- | V+ = 16.5V; V- = -16.5V; VEN, VIN_ = 0 or V+ | +25°C | -1.0 | 0.001 | 1.0 | μA |
| | | | C, E | -5.0 | | 5.0 | |
| VL Supply Current | IL+ | V+ = 16.5V; V- = -16.5V; VEN, VIN_ = 0 or V+ | +25°C | -1.0 | 0.001 | 1.0 | μA |
| | | | C, E | -5.0 | | 5.0 | |
| Ground Current | IGND | V+ = 16.5V; V- = -16.5V; VEN, VIN_ = 0 or V+ | +25°C | -1.0 | | 1.0 | μA |
| | | | C, E | -5.0 | | 5.0 | |

ELECTRICAL CHARACTERISTICS—MAX4555 (±15V Supplies)

(V+ = +15V, V- = -15V, VL = 5V, GND = 0V, VIN_H = 2.4V, VIN_L = 0.8V, TA = TMIN to TMAX, unless otherwise noted. Typical values are at TA = +25°C.)

| PARAMETER | SYMBOL | CONDITIONS | TA | MIN | TYP (Note 2) | MAX | UNITS |
|------------------------------------|-------------|---|-------|-------|-----------------|------|-------|
| 6Ω ANALOG SWITCH (FORCE) | | | | | | | |
| Analogue Signal Range | VCOM_, VNO_ | (Note 3) | C, E | V- | | V+ | V |
| On-Resistance | RON | VCOM_ = ±10V, ICOM_ = 10mA | +25°C | | 3.8 | 6 | Ω |
| | | | C, E | | | 7 | |
| On-Resistance Match (Note 4) | ΔRON | VCOM_ = ±10V, ICOM_ = 10mA | +25°C | | 0.3 | 1 | Ω |
| | | | C, E | | | 1.5 | |
| On-Resistance Flatness (Note 5) | RFLAT(ON) | VCOM_ = +5V, 0V, -5V; ICOM_ = 10mA | +25°C | | 0.05 | 1 | Ω |
| | | | C, E | | | 1.5 | |
| NC_ Off-Leakage Current | INC_(OFF) | V+ = 16.5V, V- = -16.5V, VCOM_ = ±10V, VNO_ = ∓10V | +25°C | -0.25 | 0.03 | 0.25 | nA |
| | | | C, E | -2.5 | | 2.5 | |
| COM_ Off-Leakage Current | ICOM_(OFF) | V+ = 16.5V, V- = -16.5V, VCOM_ = ±10V, VNO_ = ∓10V | +25°C | -0.5 | 0.03 | 0.5 | nA |
| | | | C, E | -5.0 | | 5.0 | |
| COM_ On-Leakage Current | ICOM_(ON) | V+ = 16.5V, V- = -16.5V, VCOM_ = ±10V | +25°C | -0.5 | 0.06 | 0.5 | nA |
| | | | C, E | -10 | | 10 | |
| Charge Injection | Q | VCOM_ = 0, Figure 13 | +25°C | | 100 | | pC |

Force-Sense Switches

MAX4554/MAX4555/MAX4556

ELECTRICAL CHARACTERISTICS—MAX4555 (±15V Supplies) (continued)

(V+ = +15V, V- = -15V, VL = 5V, GND = 0V, VIN_H = 2.4V, VIN_L = 0.8V, TA = TMIN to TMAX, unless otherwise noted. Typical values are at TA = +25°C.)

| PARAMETER | SYMBOL | CONDITIONS | TA | MIN | TYP (Note 2) | MAX | UNITS |
|--|-----------------|---|-------|------|-----------------|-----|-------|
| 30Ω ANALOG SWITCH (SENSE-GUARD) | | | | | | | |
| Analog Signal Range | VCOM_, VNO_ | (Note 3) | C, E | V- | | V+ | V |
| On-Resistance | RON | VCOM_ = ±10V, ICOM_ = 10mA | +25°C | | 15 | 30 | Ω |
| | | | C, E | | | 45 | |
| On-Resistance Match (Note 4) | ΔRON | VCOM_ = ±10V, ICOM_ = 10mA | +25°C | | 0.6 | 4 | Ω |
| | | | C, E | | | 5 | |
| On-Resistance Flatness (Note 5) | RFLAT(ON) | VCOM_ = +5V, 0V, -5V; ICOM_ = 10mA | +25°C | | 0.6 | 5 | Ω |
| | | | C, E | | | 6 | |
| NC_ Off-Leakage Current | INC_(OFF) | V+ = 16.5V, V- = -16.5V, VCOM_ = ±10V, VNO_ = ∓10V | +25°C | -0.3 | 0.01 | 0.3 | nA |
| | | | C, E | -2.5 | | 2.5 | |
| COM_ Off-Leakage Current | ICOM_(OFF) | V+ = 16.5V, V- = -16.5V, VCOM_ = ±10V, VNO_ = ∓10V | +25°C | -0.3 | 0.01 | 0.3 | nA |
| | | | C, E | -2.5 | | 2.5 | |
| COM_ On-Leakage Current | INC_(ON) | V+ = 16.5V, V- = -16.5V, VNC_ = ±10V | +25°C | -0.6 | 0.02 | 0.6 | nA |
| | | | C, E | -5.0 | | 5.0 | |
| Charge Injection | Q | VCOM_ = 0, Figure 13 | +25°C | | 4 | | pC |
| LOGIC INPUT | | | | | | | |
| IN_ Input Logic Threshold High | VIN_H | | C, E | | 1.6 | 2.4 | V |
| IN_ Input Logic Threshold Low | VIN_L | | C, E | 0.8 | 1.6 | | V |
| IN_ Input Current Logic High or Low | IIN_H, IIN_L | VIN_ = 0.8V or 2.4V | C, E | -0.5 | 0.03 | 0.5 | μA |
| SWITCH DYNAMIC CHARACTERISTICS | | | | | | | |
| Turn-On Time (Force) | tON | VCOM_ = ±3V, RL = 300Ω, Figure 10 | +25°C | | 155 | 275 | ns |
| | | | C, E | | | 325 | |
| Turn-On Time (Sense-Guard) | tON | VCOM_ = ±10V, RL = 1kΩ, Figure 10 | +25°C | | 125 | 225 | ns |
| | | | C, E | | | 275 | |
| Turn-Off Time (Force) | tOFF | VCOM_ = ±3V, RL = 300Ω, Figure 10 | +25°C | | 190 | 275 | ns |
| | | | C, E | | | 325 | |
| Turn-Off Time (Sense-Guard) | tOFF | VCOM_ = ±10V, RL = 1kΩ, Figure 10 | +25°C | | 125 | 225 | ns |
| | | | C, E | | | 275 | |
| COM_ Off-Capacitance (Force) | COFF | VCOM_, VNO_ = GND; f = 1MHz; Figure 14 | +25°C | | 29 | | pF |
| COM_ On-Capacitance (Sense-Guard) | CON | VCOM_, VNO_ = GND; f = 1MHz; Figure 14 | +25°C | | 9 | | pF |
| COM_ On-Capacitance (Force) | CON | VCOM_, VNO_ = GND; f = 1MHz; Figure 14 | +25°C | | 107 | | pF |
| COM_ Off-Capacitance (Sense-Guard) | COFF | VCOM_, VNO_ = GND; f = 1MHz; Figure 14 | +25°C | | 29 | | pF |

Force-Sense Switches

ELECTRICAL CHARACTERISTICS—MAX4555 (±15V Supplies) (continued)

(V+ = +15V, V- = -15V, VL = 5V, GND = 0V, VIN_H = 2.4V, VIN_L = 0.8V, TA = TMIN to TMAX, unless otherwise noted. Typical values are at TA = +25°C.)

| PARAMETER | SYMBOL | CONDITIONS | TA | MIN | TYP (Note 2) | MAX | UNITS |
|-----------------------------------|------------------|---|-------|------|-----------------|-----|-------|
| NC_ Off-Capacitance (Force) | C _{OFF} | V _{COM_} , V _{NO_} = GND; f = 1MHz; Figure 14 | +25°C | | 22 | | pF |
| NC_ Off-Capacitance (Sense-Guard) | C _{OFF} | V _{COM_} , V _{NO_} = GND; f = 1MHz; Figure 14 | +25°C | | 9 | | pF |
| Total Harmonic Distortion (Force) | THD | | +25°C | | 0.007 | | % |
| Off Isolation (Force) (Note 6) | V _{ISO} | R _{IN} = 50Ω, R _{OUT} = 50Ω, f = 1MHz, V _{COM_} = 100mV _{RMS} , Figure 15 | +25°C | | -38 | | dB |
| POWER SUPPLY | | | | | | | |
| Power-Supply Range | V+, VL, V- | | C, E | ±4.5 | | ±20 | V |
| V+ Supply Current | I+ | V+ = 16.5V; V- = -16.5V; V _{EN} , V _{IN_} = 0 or V+ | +25°C | -1.0 | 0.001 | 1.0 | μA |
| | | | C, E | -5.0 | | 5.0 | |
| V- Supply Current | I- | V+ = 16.5V; V- = -16.5V; V _{EN} , V _{IN_} = 0 or V+ | +25°C | -1.0 | 0.001 | 1.0 | μA |
| | | | C, E | -5.0 | | 5.0 | |
| VL Supply Current | I _{L+} | V+ = 16.5V; V- = -16.5V; V _{EN} , V _{IN_} = 0 or V+ | +25°C | -1.0 | 0.001 | 1.0 | μA |
| | | | C, E | -5.0 | | 5.0 | |
| Ground Current | I _{GND} | V+ = 16.5V; V- = -16.5V; V _{EN} , V _{IN_} = 0 or V+ | +25°C | -1.0 | 0.001 | 1.0 | μA |
| | | | C, E | -5.0 | | 5.0 | |

ELECTRICAL CHARACTERISTICS—MAX4556 (±15V Supplies)

(V+ = +15V, V- = -15V, VL = 5V, GND = 0V, VIN_H = 2.4V, VIN_L = 0.8V, TA = TMIN to TMAX, unless otherwise noted. Typical values are at TA = +25°C.)

| PARAMETER | SYMBOL | CONDITIONS | TA | MIN | TYP (Note 2) | MAX | UNITS |
|---------------------------------|---|---|-------|-------|-----------------|------|-------|
| 6Ω ANALOG SWITCH (FORCE) | | | | | | | |
| Analog Signal Range | V _{COM1} , V _{NO1} , V _{NC1} | (Note 3) | C, E | V- | | V+ | V |
| On-Resistance | R _{ON} | V _{COM1} = ±10V, I _{COM1} = 10mA | +25°C | | 3.8 | 6 | Ω |
| | | | C, E | | | 7 | |
| On-Resistance Match (Note 4) | ΔR _{ON} | V _{COM1} = ±10V, I _{COM1} = 10mA | +25°C | | 0.3 | 1 | Ω |
| | | | C, E | | | 1.5 | |
| On-Resistance Flatness (Note 5) | R _{FLAT(ON)} | V _{COM1} = +5V, 0V, -5V; I _{COM1} = 10mA | +25°C | | 0.05 | 1 | Ω |
| | | | C, E | | | 1.5 | |
| NO1, NC1 Off-Leakage Current | I _{NO1(OFF)} , I _{NC1(OFF)} | V+ = 16.5V; V- = -16.5V; V _{COM1} = ±10V; V _{NO1} , V _{NC1} = ∓10V | +25°C | -0.25 | 0.03 | 0.25 | nA |
| | | | C, E | -2.5 | | 2.5 | |
| COM1 Off-Leakage Current | I _{COM1(OFF)} | V+ = 16.5V, V- = -16.5V, V _{COM1} = ±10V, V _{NO1} = ∓10V | +25°C | -0.5 | 0.03 | 0.5 | nA |
| | | | C, E | -5.0 | | 5.0 | |
| COM1 On-Leakage Current | I _{COM1(ON)} | V+ = 16.5V, V- = -16.5V, V _{COM1} = ±10V | +25°C | -0.5 | 0.06 | 0.5 | nA |
| | | | C, E | -10 | | 10 | |
| Charge Injection | Q | V _{COM1} = 0, Figure 13 | +25°C | | 100 | | pC |

Force-Sense Switches

MAX4554/MAX4555/MAX4556

ELECTRICAL CHARACTERISTICS—MAX4556 ($\pm 15V$ Supplies) (continued)

($V_+ = +15V$, $V_- = -15V$, $V_L = 5V$, $GND = 0V$, $V_{IN_H} = 2.4V$, $V_{IN_L} = 0.8V$, $T_A = T_{MIN}$ to T_{MAX} , unless otherwise noted. Typical values are at $T_A = +25^\circ C$.)

| PARAMETER | SYMBOL | CONDITIONS | T_A | MIN | TYP (Note 2) | MAX | UNITS |
|--|--|--|------------------------|---------------|-----------------|-------------|----------|
| 60Ω ANALOG SWITCH (SENSE-GUARD) | | | | | | | |
| Analog Signal Range | $V_{COM_}$, $V_{NO_}$, $V_{NC_}$ | (Note 3) | C, E | V- | | V+ | V |
| On-Resistance | R_{ON} | $V_{COM_} = \pm 10V$, $I_{COM_} = 10mA$ | +25 $^\circ C$ C, E | | 36 70 | 60 | Ω |
| On-Resistance Match (Note 4) | ΔR_{ON} | $V_{COM_} = \pm 10V$, $I_{COM_} = 10mA$ | +25 $^\circ C$ C, E | | 5 10 | 9 | Ω |
| On-Resistance Flatness (Note 5) | $R_{FLAT(ON)}$ | $V_{COM_} = +5V, 0V, -5V$; $I_{COM_} = 10mA$ | +25 $^\circ C$ C, E | | 0.6 6 | 5 | Ω |
| NO $_1$, NC Off-Leakage Current | $I_{NO_(OFF)}$, $I_{NC_(OFF)}$ | $V_+ = 16.5V$; $V_- = -16.5V$; $V_{COM_} = \pm 10V$; $V_{NO_}$, $V_{NC_} = \mp 10V$ | +25 $^\circ C$ C, E | -0.25 -2.5 | 0.01 | 0.25 2.5 | nA |
| COM $_1$ Off-Leakage Current | $I_{COM_(OFF)}$ | $V_+ = 16.5V$; $V_- = -16.5V$; $V_{COM_} = \pm 10V$; $V_{NO_}$, $V_{NC_} = \mp 10V$ | +25 $^\circ C$ C, E | -0.25 -2.5 | 0.01 | 0.25 2.5 | nA |
| COM $_1$ On-Leakage Current | $I_{COM_(ON)}$ | $V_+ = 16.5V$, $V_- = -16.5V$, $V_{COM_} = \pm 10V$ | +25 $^\circ C$ C, E | -0.5 -5.0 | 0.02 | 0.5 5.0 | nA |
| Charge Injection | Q | $V_{COM_} = 0$, Figure 13 | +25 $^\circ C$ | | 5 | | pC |
| LOGIC INPUT | | | | | | | |
| IN $_1$ Input Logic Threshold High | V_{IN_H} | | C, E | | 1.6 | 2.4 | V |
| IN $_1$ Input Logic Threshold Low | V_{IN_L} | | C, E | 0.8 | 1.6 | | V |
| IN $_1$ Input Current Logic High or Low | I_{IN_H} , I_{IN_L} | $V_{IN_} = 0$ or V_L | C, E | -0.5 | 0.03 | 0.5 | μA |
| SWITCH DYNAMIC CHARACTERISTICS | | | | | | | |
| Transition Time (Force) | t_{TRANS} | $V_{COM_} = \pm 10V$, $R_L = 300\Omega$, Figure 10 | +25 $^\circ C$ C, E | | 150 300 | 250 | ns |
| Transition Time (Sense-Guard) | t_{TRANS} | $V_{COM_} = \pm 10V$, $R_L = 1k\Omega$, Figure 10 | +25 $^\circ C$ C, E | | 125 275 | 225 | ns |
| Break-Before-Make Time | t_{BBM} | $V_{COM_} = \pm 10V$, $R_L = 1k\Omega$, Figure 12 | +25 $^\circ C$ | 1 | 15 | | ns |
| NO $_1$, NC $_1$ Off-Capacitance (Force) | C_{OFF} | V_{NO_1} , $V_{NC_1} = GND$; $f = 1MHz$; Figure 14 | +25 $^\circ C$ | | 21 | | pF |
| COM $_1$ On-Capacitance (Force) | C_{ON} | $V_{COM_1} = GND$, $f = 1MHz$, Figure 14 | +25 $^\circ C$ | | 137 | | pF |
| NO $_1$, NC $_1$ Off-Capacitance (Sense-Guard) | C_{OFF} | V_{NO_1} , $V_{NC_1} = GND$; $f = 1MHz$; Figure 14 | +25 $^\circ C$ | | 7 | | pF |
| COM $_1$ On-Capacitance (Sense-Guard) | C_{ON} | $V_{COM_} = GND$, $f = 1MHz$, Figure 14 | +25 $^\circ C$ | | 30 | | pF |
| Total Harmonic Distortion (Force) | THD | | +25 $^\circ C$ | | 0.007 | | % |
| Off Isolation (Force) | V_{ISO} | $R_{IN} = 50\Omega$, $R_{OUT} = 50\Omega$, $f = 1MHz$, $V_{COM_} = 100mV_{RMS}$, Figure 15 | +25 $^\circ C$ | | -30 | | dB |

Force-Sense Switches

ELECTRICAL CHARACTERISTICS—MAX4556 ($\pm 15\text{V}$ Supplies) (continued)

($V_+ = +15\text{V}$, $V_- = -15\text{V}$, $V_L = 5\text{V}$, $\text{GND} = 0\text{V}$, $V_{\text{IN}_H} = 2.4\text{V}$, $V_{\text{IN}_L} = 0.8\text{V}$, $T_A = T_{\text{MIN}}$ to T_{MAX} , unless otherwise noted. Typical values are at $T_A = +25^\circ\text{C}$.)

| PARAMETER | SYMBOL | CONDITIONS | T_A | MIN | TYP (Note 2) | MAX | UNITS |
|----------------------|-----------------------|--|---------------------|-----------|-----------------|----------|---------------|
| POWER SUPPLY | | | | | | | |
| Power-Supply Range | V_+ , V_L , V_- | $V_L \geq 4.5\text{V}$ | C, E | ± 4.5 | | ± 20 | V |
| V_+ Supply Current | I_+ | $V_+ = 16.5\text{V}$, $V_- = -16.5\text{V}$, $V_{\text{IN}_-} = 0$ or V_L | $+25^\circ\text{C}$ | -1.0 | 0.001 | 1.0 | μA |
| | | | C, E | -5.0 | | 5.0 | |
| V_- Supply Current | I_- | $V_+ = 16.5\text{V}$, $V_- = -16.5\text{V}$, $V_{\text{IN}_-} = 0$ or V_L | $+25^\circ\text{C}$ | -1.0 | 0.001 | 1.0 | μA |
| | | | C, E | -5.0 | | 5.0 | |
| V_L Supply Current | I_{L+} | $V_+ = 16.5\text{V}$, $V_- = -16.5\text{V}$, $V_{\text{IN}_-} = 0$ or V_L | $+25^\circ\text{C}$ | -1.0 | 0.001 | 1.0 | μA |
| | | | C, E | -5.0 | | 5.0 | |
| Ground Current | I_{GND} | $V_+ = 16.5\text{V}$, $V_- = -16.5\text{V}$, $V_{\text{IN}_-} = 0$ or V_L | $+25^\circ\text{C}$ | -1.0 | 0.001 | 1.0 | μA |
| | | | C, E | -5.0 | | 5.0 | |

Note 2: The algebraic convention is used in this data sheet; the most negative value is shown in the minimum column.

Note 3: Guaranteed by design.

Note 4: $\Delta R_{\text{ON}} = \Delta R_{\text{ON}(\text{MAX})} - \Delta R_{\text{ON}(\text{MIN})}$.

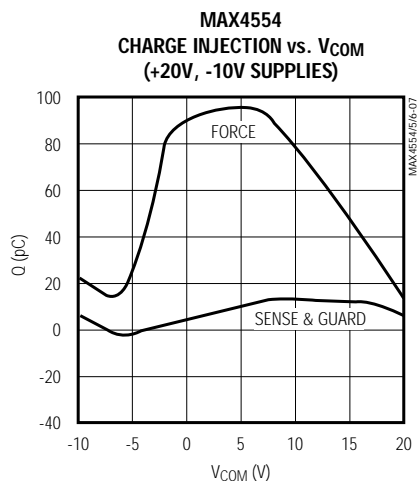
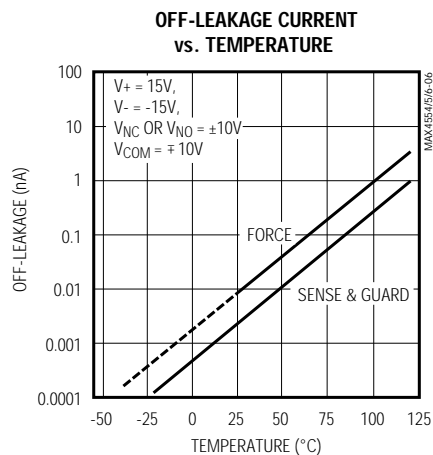
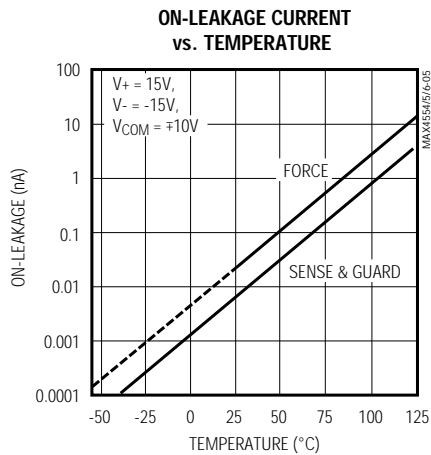
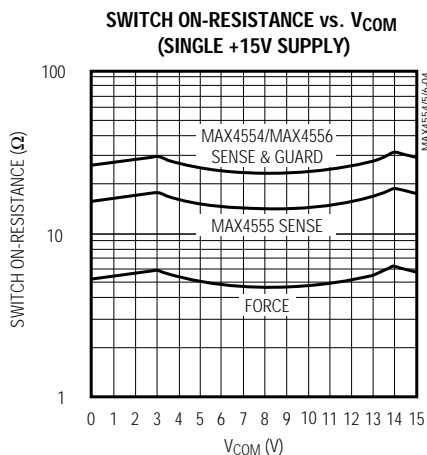
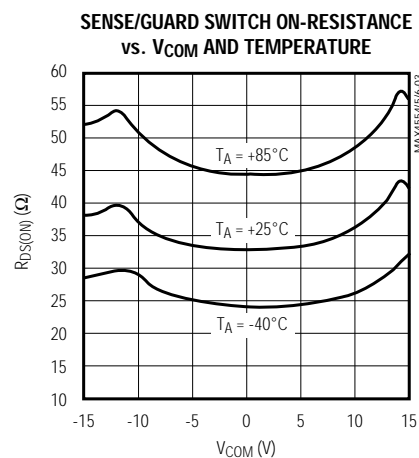
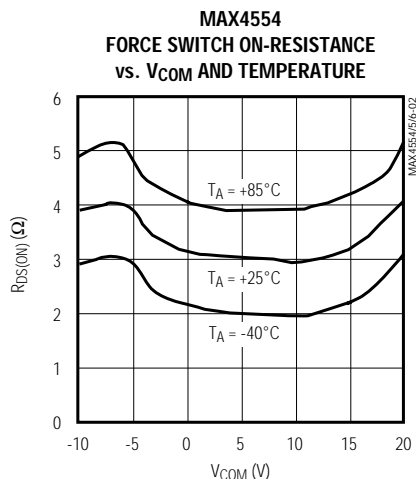
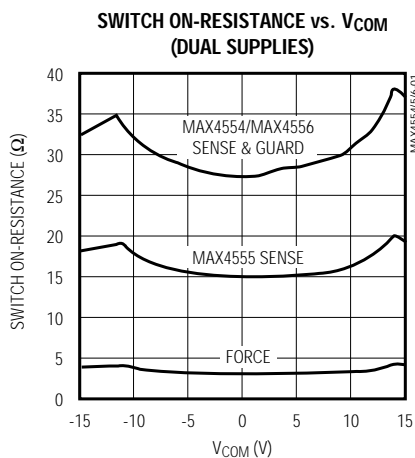
Note 5: Resistance flatness is defined as the difference between the maximum and the minimum value of on-resistance as measured over the specified analog signal range.

Force-Sense Switches

Typical Operating Characteristics

($V_+ = +15V$, $V_- = -15V$, $GND = 0V$, $T_A = +25^\circ C$, unless otherwise noted.)

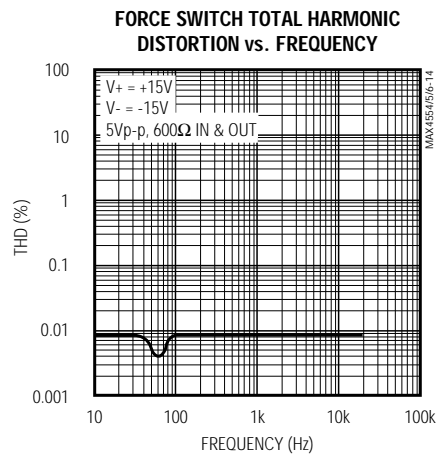
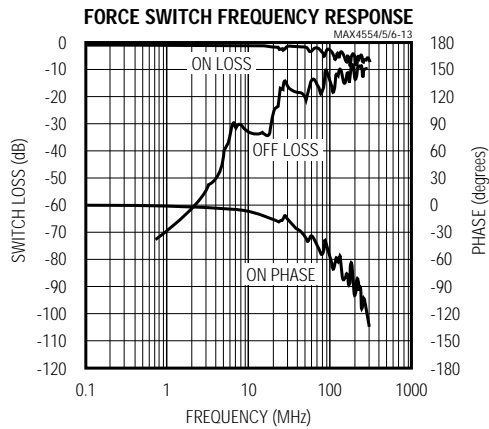
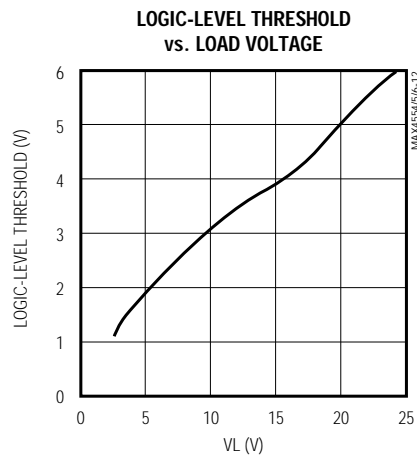
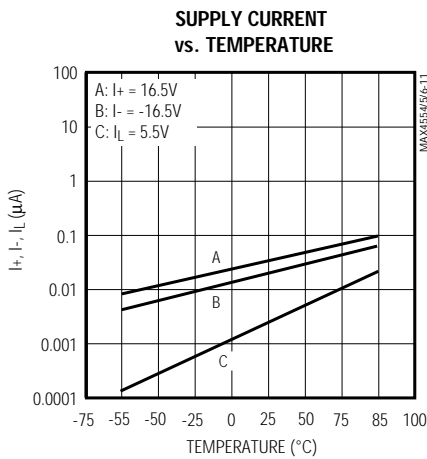
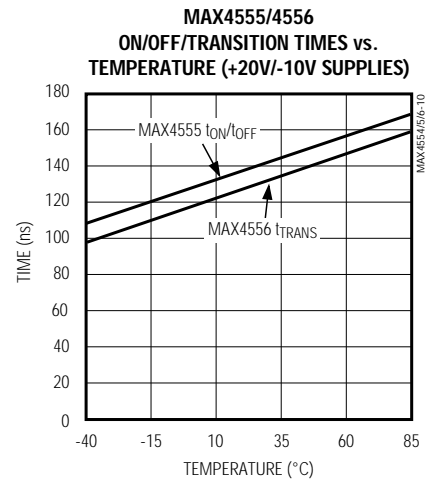
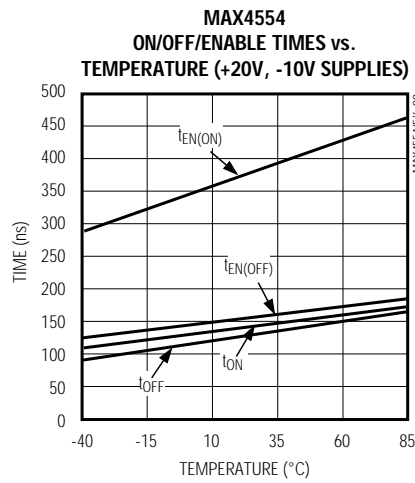
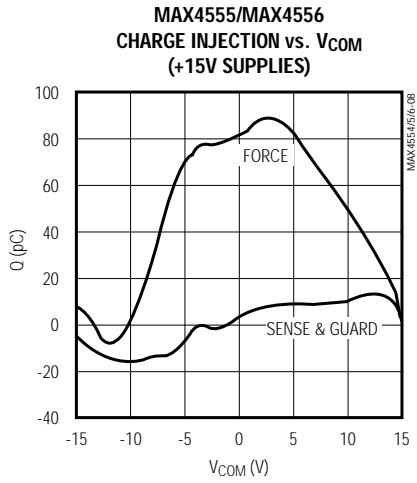
MAX4554/MAX4555/MAX4556



Force-Sense Switches

Typical Operating Characteristics (continued)

($V_+ = +15V$, $V_- = -15V$, GND = 0V, $T_A = +25^\circ C$, unless otherwise noted.)



Force-Sense Switches

Pin Description

MAX4554/MAX4555/MAX4556

| PIN | | | NAME | FUNCTION |
|---------|-------------------|-------------|--------------------------|---|
| MAX4554 | MAX4555 | MAX4556 | | |
| 1 | — | — | NOG1 | Analog Guard Channel 1 Normally Open Terminal |
| — | — | 1, 2 | NO3, NO2 | Analog Signal Normally Open Terminals |
| 2 | — | — | NOS1 | Analog Sense Channel 1 Normally Open Terminal |
| — | 2, 15*, 10*, 7 | 14*, 15, 16 | COM1, COM2 COM3, COM4 | Analog Signal Common Terminals. COM2 and COM3 are low-resistance (force) switches on the MAX4555. COM1 is a low-resistance (force) switch on the MAX4556. |
| 3* | — | — | NOF1* | Analog Force Channel 1 Normally Open Terminal |
| — | 3, 14, 11, 6 | — | NC1, NC2, NC3, NC4 | Analog Signal Normally Closed Pins. NC2 and NC3 are low-resistance (force) switches. |
| — | — | 3* | NO1* | Analog Force Signal Normally Open Terminal |
| 4 | 4 | 4 | V- | Negative Analog Supply Voltage Input. Connect to GND for single-supply operation. |
| 5 | 5 | 5 | GND | Ground. Connect to digital ground. (Analog signals have no ground reference; they are limited to V+ and V-.) |
| 6* | — | — | NOF2* | Analog Force Channel 2 Normally Open Terminal |
| — | — | 6* | NC1* | Analog Force Signal Normally Closed Terminal |
| 7 | — | — | NOS2 | Analog Sense Channel 2 Normally Open Terminal |
| — | — | 7, 8 | NC2, NC3 | Analog Signal Normally Closed Terminal |
| 8 | — | — | NOG2 | Analog Guard Channel 2 Normally Open Terminal |
| 9 | — | — | \overline{EN} | Enable Logic-Level Digital Input. Connect to GND to enable all switches. |
| 11, 10 | 1, 16, 9, 8 | 9, 10, 11 | IN1, IN2, IN3, IN4 | Logic-Level Digital Inputs. See <i>Truth Tables</i> . |
| 12 | 12 | 12 | VL | Logic-Level Positive Supply Input. Connect to logic (+5V) supply. Can be connected to V+ for single-supply operation. |
| 13 | 13 | 13 | V+ | Positive Analog Supply Voltage Input. Internally connected to substrate. |
| 14* | — | — | COMF* | Analog Force Channel Common Terminal |
| 15 | — | — | COMS | Analog Sense Channel Common Terminal |
| 16 | — | — | COMG | Analog Guard Channel Common Terminal |

* Indicates high-current, low-resistance (force) switch terminal.

Note: NO_, NC_, and COM_ pins are identical and interchangeable. Any may be considered as an input or output; signals pass equally well in either direction.

Force-Sense Switches

Force-Sense Philosophy

When a precise voltage must be applied to a load that draws appreciable current, the resistance of the conductors connecting the source and the load can degrade the load voltage. The resistance of the conductors forms a voltage divider with the load, so that the load voltage is lower than the source voltage. The greater the distance between the source and the load, and the greater the current or conductor resistance, the greater the degradation. The resulting signal reduction can be overcome and the signal at the load guaranteed by using a 4-wire technique known as Kelvin sensing, or force-sense.

The basic idea behind the force-sense philosophy is to use four wires, forcing a voltage or current through two high-current wires to the load, and measuring (sensing) the voltage with two separate wires that carry very low or negligible current. One of two basic configurations is used, depending on whether or not feedback is employed:

- 1) The sensed voltage can be completely independent of the forced voltage or current, as in the case of a 4-wire ohmmeter, where a constant current is forced through one pair of wires and the voltage at the resistor is measured by another pair.
- 2) The sensed voltage can be part of a feedback circuit to force the load voltage to the desired value, as in the case of a 4-wire power supply. (In rare cases, this method is also used to measure resistance; the source is forced to produce a desired voltage in the resistor, and the source current required to achieve this voltage is measured.)

In all cases, the resistance of the high-current conductors can be ignored and the sensed voltage is an accurate measure of the load (or resistor's) voltage, despite appreciable voltage loss in the wires connecting the source and load.

There are two limitations to this scheme. First, the maximum source voltage (compliance) must be able to overcome the combined voltage loss of the load and the connecting wires. In other words, the conductors in the force circuit can have significant resistance, but there is a limit. Second, the impedance of the sensing circuit (typically a voltmeter, A/D converter, or feedback amplifier) must be very high compared to the load resistance and the sense wire resistance. These limitations are usually simple to overcome. The source compliance is usually required to be only a volt more than the load voltage, and the sense wire usually has a multimegohm impedance. Typical 4-wire force-sense configurations are shown in Figure 1.

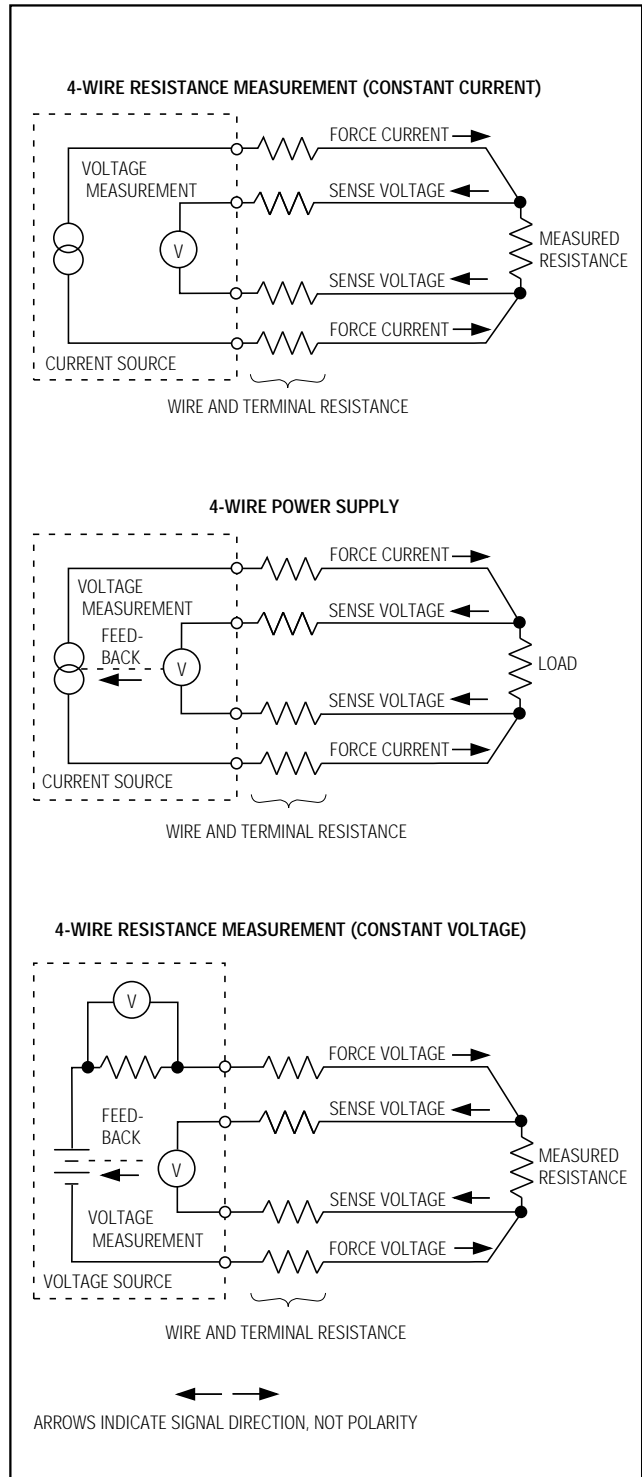


Figure 1. 4-Wire Force-Sense Measurements

Force-Sense Switches

Guard Philosophy

When measuring a precise voltage from a high-resistance source, or when measuring a very small current or forcing it into a load, unwanted leakage currents can degrade the results. These leakage currents may exist in the insulation of wires connecting the source and the measuring device. Higher source voltages, higher source impedances, longer wires, lower currents, and higher temperatures further degrade the measurement. The effect has both DC and low-frequency AC components; AC signals are generally capacitively coupled into the high-impedance source and wiring. The AC and DC effects are hard to separate, and are generally grouped under the designation "low-frequency noise." This signal degradation can be overcome and the measured signal guaranteed by using a 3-wire technique known as guarding.

A "guard," "guard channel," or "driven guard" is formed by adding a third wire to a 2-wire measurement. It consists of a physical barrier (generally the surrounding shield of a coaxial cable) that is actively forced to the same voltage as is being measured on its inner conductor. The forcing of the driven guard is from the output of a low-impedance buffer amplifier whose high-impedance input is connected to the source. The idea is not just to buffer or shield the signal with a low-impedance source but, by forcing the shield to the same potential as the signal, to also force the leakage currents between the signal and the outside world to extremely small values. Any unwanted leakage current from the source must first go through the coaxial-cable insulation to the shield. Since the shield is at the same potential, there is virtually no unwanted leakage current, regardless of the insulation resistance. The shield itself can have significant leakage currents to the outside world, but it is separated from the measured signal.

The physical positioning of the guard around the signal is extremely important in maintaining low leakage. Since the guard can be at potentials far from ground, conventional coaxial cable is often replaced by triaxial cable (i.e., cable with a center conductor and two separate inner and outer shields). The signal is the center conductor, the inner shield is the guard, and the outer shield is the chassis ground. The outer shield isolates the inner driven guard from ground, physically protects the driven guard, and acts as a secondary Faraday shield for external noise.

The physical guard must be maintained continuously from the source to the measuring device, including paths on printed circuit boards, where the guard becomes extra traces surrounding the signal traces on both sides (and above and below the signal traces on

multilevel boards.) This is one case where a ground plane is *not* appropriate. In extreme cases, such as with nano-voltmeters and femto-ammeters, printed circuit boards cannot be adequately shielded and are eliminated from the guarded signal paths altogether.

Figure 2 shows both the basic 3-wire guarded measurement and a 5-wire variation, used for balanced signals that are elevated from ground potential. The 5-wire configuration is really two 3-wire circuits sharing a common ground. Figure 2 also shows the configuration using triaxial cable.

Force-Sense-Guard Philosophy

Force-sense measurements are combined with guarded measurements when a wide range of voltages and currents are encountered, or when voltage and current must be accurately measured or controlled simultaneously. This frequently occurs in automatic test equipment (ATE) and in some critical physical or chemical sensor applications where voltage and/or current measurements can span many decades. Two techniques are used: 8-wire and 12-wire.

8-Wire Measurements

Figure 3 shows an 8-wire guarded force-sense power supply. A precise voltage is forced to the load, and load current is sensed without interacting with the output voltage, and without unwanted leakage currents. Separate twin-axial, or "twinax" cable is used for each of the positive and negative wires. Each cable has a twisted-pair of wires surrounded by a common shield, which is connected as the driven guard. Since the force and sense wires are at approximately the same potential, they can be protected by the same driven guard. In critical applications, two special 4-wire cables and connectors are substituted for the two twinax cables and separate ground wire. These cables add a second shield, which replaces the chassis-to-chassis ground wire and reduces noise.

Figure 3 shows current sensing with a fixed precision resistor and voltmeter, but other methods (such as op amps with feedback) are frequently employed, particularly if current limiting is required. One of the advantages of Figure 3's circuit is that leakage in the current-sensing path has no effect on the output voltage.

The two diodes in the force-sense feedback path protect the force-sense amplifier from operating open loop if either the force or sense wires are disconnected from the load. These diodes must have both lower forward voltage and lower reverse leakage than the current being measured.

Force-Sense Switches

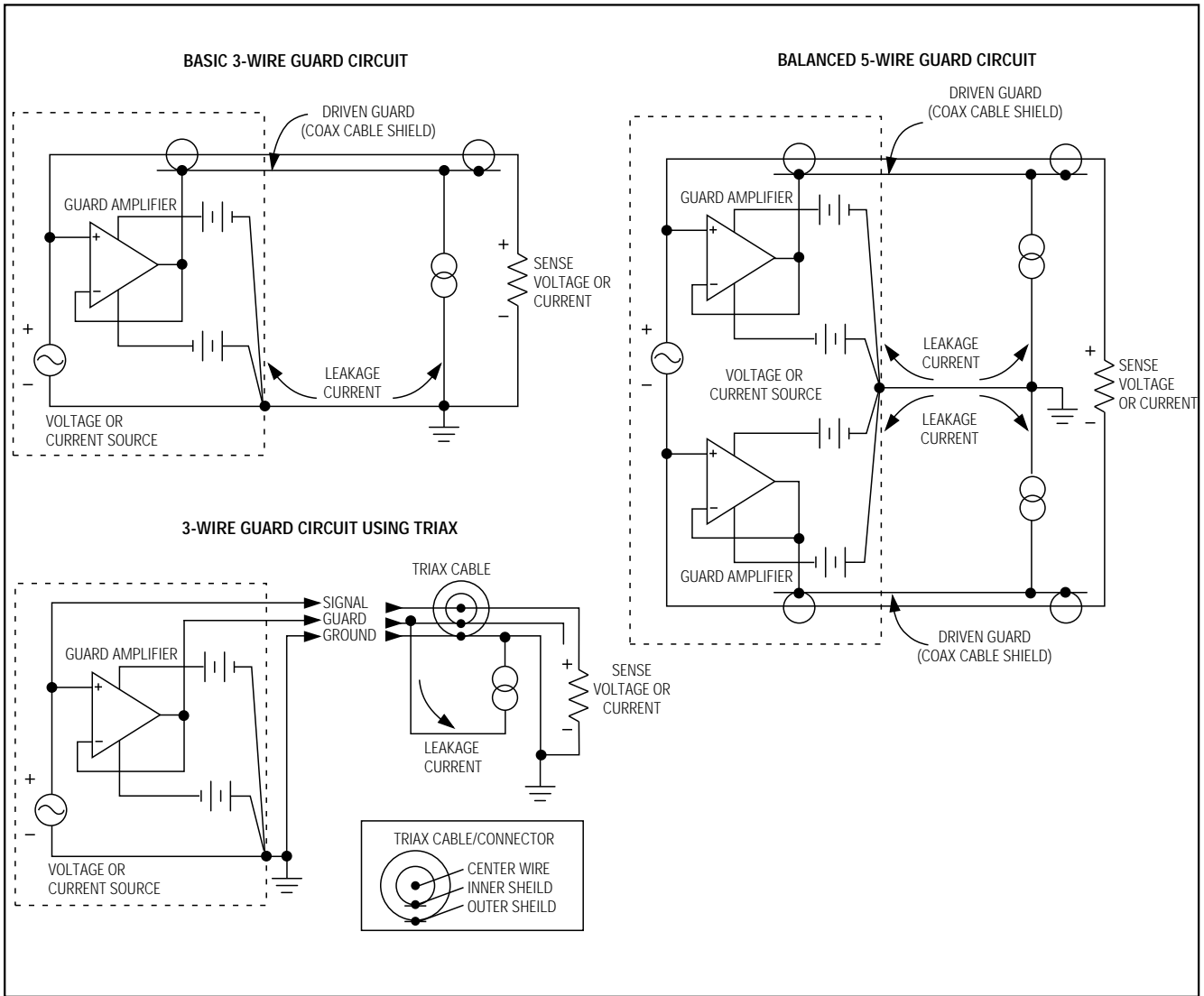


Figure 2. 3-Wire and 5-Wire Guarded Measurements

Force-Sense Switches

MAX4554/MAX4555/MAX4556

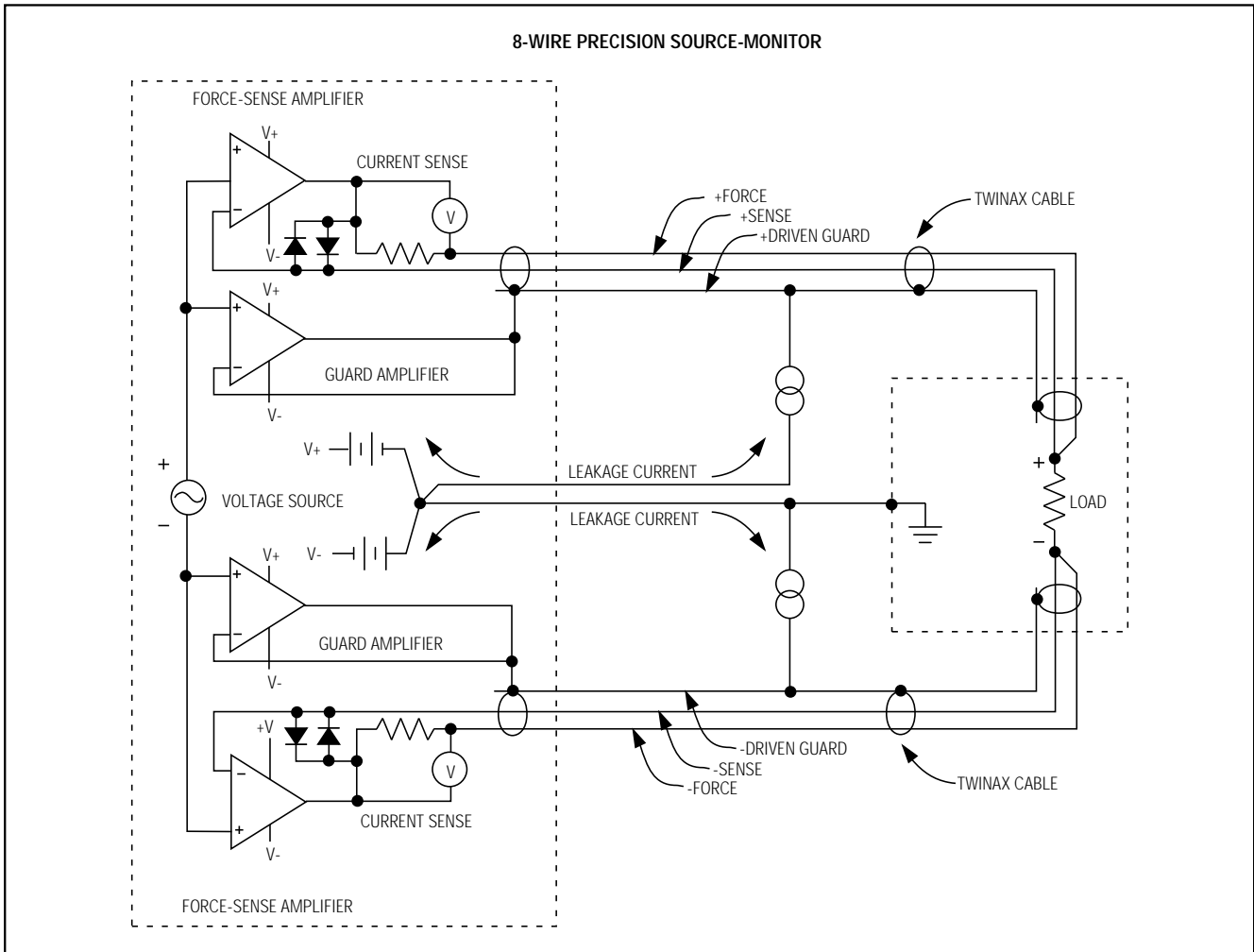


Figure 3. 8-Wire Guarded Force-Sense Measurements

Note that although the positive and negative circuits are identical, they are not redundant. Both are always used, even when one side of the load is grounded, because maintaining a precision output voltage requires losses in the ground leads to be corrected by a force-sense amplifier. If more than one power supply and load are operated together, and they have a common connection, this requirement becomes even more critical. Separate 8-wire connections prevent current changes in one load from changing voltage in the other load.

12-Wire Measurements

Figure 4 shows a 12-wire circuit, which is an elaboration of the 8-wire system using separate driven guards for the force and sense wires. Four sets of triaxial

cables and connectors are used. The extra wires are used for two reasons: 1) They provide better shielding by having separate chassis grounds on each cable, rather than separate ground wires external to the signal cables; 2) In test equipment, where connection changes are frequent, it is very convenient to use four triax connectors or two quadrx (dual triax) connectors for each load.

In addition, this method is slightly better for power supplies or measurements that switch between constant voltage and constant current, since separate driven guards reduce circuit capacitance. Also, when troubleshooting, it is convenient to be able to interchange force and sense leads.

Force-Sense Switches

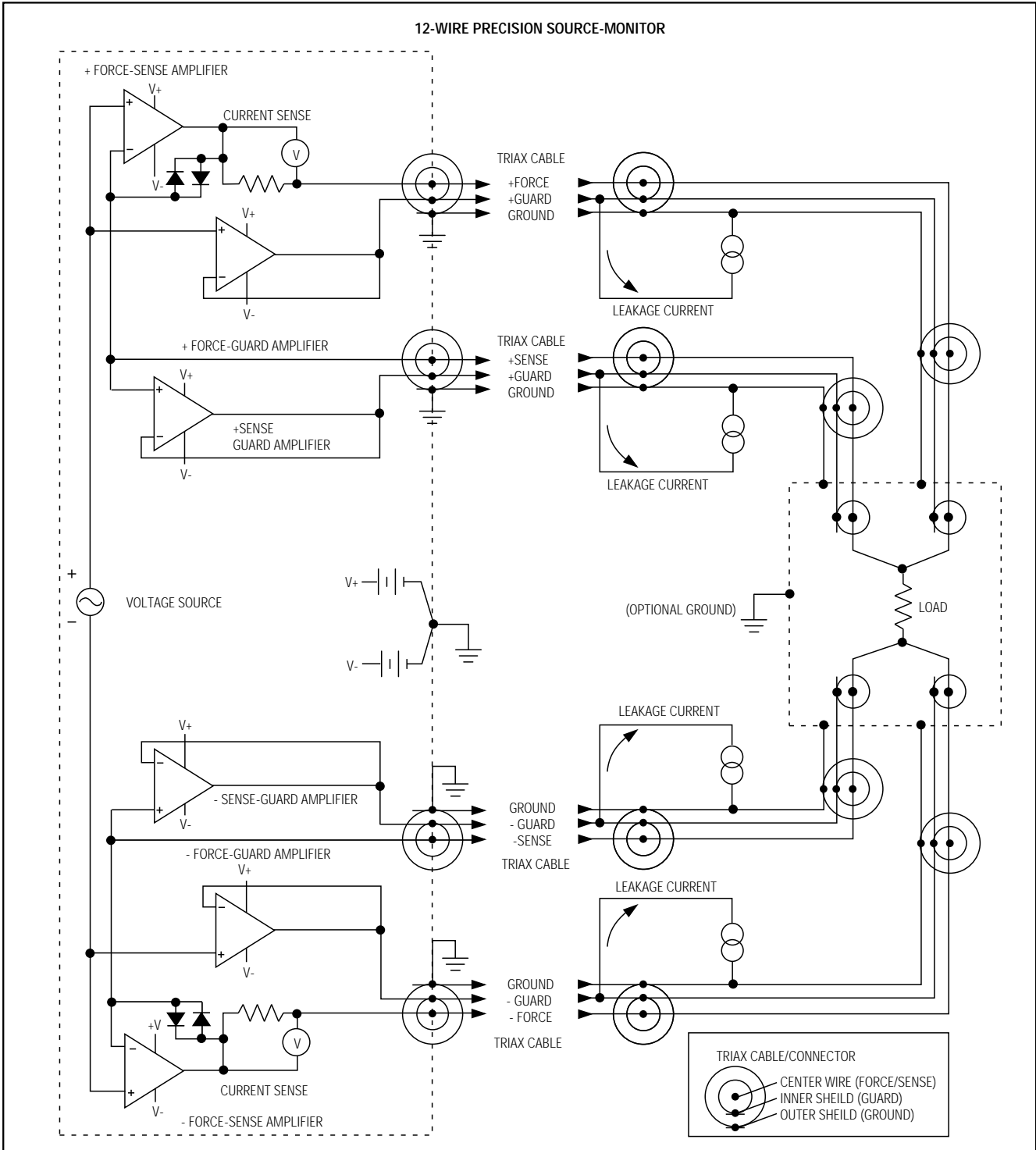


Figure 4. 12-Wire Guarded Force-Sense Measurements

Force-Sense Switches

Switching Guarded and Force-Sense Signals

When a precision source or measurement must be connected sequentially to several circuits, all sense and guard connections must be switched simultaneously, and at least one of the force connections must be switched. To maintain safety and low noise levels, the ground (or chassis) connection should never be disconnected.

The force circuit switch should have low-resistance, high-current capability, but the sense and guard circuit switches require only moderate resistance and current capability. The sense and guard switches should have lower leakage than the lowest measured current. CMOS switches should also be operated from power supplies higher than the highest circuit voltage to be switched.

Detailed Description

The MAX4554/MAX4555/MAX4556 are CMOS analog ICs configured as force-sense switches. Each part contains low-resistance switches for forcing current, and higher resistance switches for sensing a voltage or driving guard wires. Analog signals on the force, sense, or guard circuits can range from V_- to V_+ . Each switch is completely symmetrical and signals are bidirectional; any switch terminal can be an input or output. The switches' open or closed states are controlled by TTL/CMOS-compatible input (IN_*) pins.

The MAX4555 and MAX4556 are characterized and guaranteed only with $\pm 15V$ supplies, but they can operate from a single supply up to +44V or non-symmetrical supplies with a voltage totaling less than +44V. The MAX4554 is fully characterized for operation from $\pm 15V$ supplies, and it is also fully specified for operation with +20V and -10V supplies. A separate logic supply pin, VL, allows operation with +5V or +3V logic, even with unusual V_+ values. The negative supply pin, V_- , must be connected to GND for single-supply operation.

The MAX4554 contains two force switches, two sense switches, and two guard switches configured as two 3PST switches. The two switches operate independently of one another, but they have a common connection, allowing one source to be connected simultaneously to two loads, or two sources to be connected to one load. An enable pin, \overline{EN} , turns all switches off when driven to logic high. The MAX4554 is also fully specified for operation with +20V and -10V supplies. The MAX4555 contains four independent SPDT, NC switches; two are force switches and two are sense switches. The MAX4556 contains three independent SPDT switches; one is a force switch and two are sense switches.

Switch Resistances

Each IC contains four internal switches: four low-current sense-guard switches and two high-current force switches. Each sense-guard switch has an on-resistance of approximately 60Ω , while each force switch has an on-resistance of approximately 6Ω . The MAX4555's two low-current sense-guard switches are connected in parallel to produce lower on-resistance and allow higher current.

Power-Supply Considerations

Overview

The MAX4554/MAX4555/MAX4556's construction is typical of most CMOS analog switches. They have four supply pins: V_+ , V_- , VL, and GND. V_+ and V_- are used to drive the internal CMOS switches and set the analog voltage limits on any switch. Reverse ESD protection diodes are internally connected between each analog and digital signal pin and both V_+ and V_- . If any signal exceeds V_+ or V_- , one of these diodes will conduct. During normal operation these reverse-biased ESD diodes leak, forming the only current drawn from the signal paths.

Virtually all the analog leakage current comes through the ESD diodes to V_+ or V_- . Although the ESD diodes on a given signal pin are identical, and therefore fairly well balanced, they are reverse biased differently. Each is biased by either V_+ or V_- and the analog signal. This means their leakages vary as the signal varies. The *difference* in the two diode leakages from the signal path to the V_+ and V_- pins constitutes the analog-signal-path leakage current. All analog leakage current flows to the supply terminals, not to the other switch terminal. This explains how both sides of a given switch can show leakage currents of either the same or opposite polarity.

There is no connection between the analog signal paths and GND or VL. The analog signal paths consist of an N-channel and P-channel MOSFET with their sources and drains paralleled, and their gates driven out of phase to V_+ and V_- by the logic-level translators.

VL and GND power the internal logic and logic-level translator and set the input logic threshold. The logic-level translator converts the logic levels to switched V_+ and V_- signals for driving the gates of the analog switches. This drive signal is the only connection between GND and the analog supplies. V_+ and V_- have ESD-protection diodes to GND. The logic-level inputs (IN_* and \overline{EN}) have ESD protection to V_+ and V_- , but not to GND; therefore, the logic signal can go below GND (as low as V_-) when bipolar supplies are used. The logic-level threshold V_{IN} is CMOS and TTL compatible when VL is between 4.5V and 36V (see *Typical Operating Characteristics*).

Force-Sense Switches

Increasing V- has no effect on the logic-level thresholds, but it does increase the drive to the internal P-channel switches, reducing the overall switch on-resistance. V- also sets the negative limit of the analog signal voltage.

Bipolar-Supply Operation

The MAX4554/MAX4555/MAX4556 operate with bipolar supplies between $\pm 4.5V$ and $\pm 18V$. However, since all factory characterization is done with $\pm 15V$ supplies (and $+20V, -10V$ for MAX4554), operation at other supplies is not guaranteed. The V+ and V- supplies need not be symmetrical, but their sum cannot exceed the absolute maximum rating of 44V (see *Absolute Maximum Ratings*). VL must not exceed V+.

Single-Supply Operation

The MAX4554/MAX4555/MAX4556 operate from a single supply between $+4.5V$ and $+44V$ when V- is con-

nected to GND. All of the bipolar precautions must be observed.

Applications Information

Switching 4-Wire Force-Sense Circuits

Figure 5 shows how to switch a single voltage or current source between two loads using two MAX4555s. A single CMOS inverter ensures that only one switch is on at a time. On each MAX4555, switches 2 and 3 are the high-current switches, so they should be used for force circuits. By interchanging loads and sources, the circuit can be reversed to switch two sources to a single load. Additional MAX4555s and loads or sources can be added to expand the circuit, but additional IN_ address decoding must be incorporated.

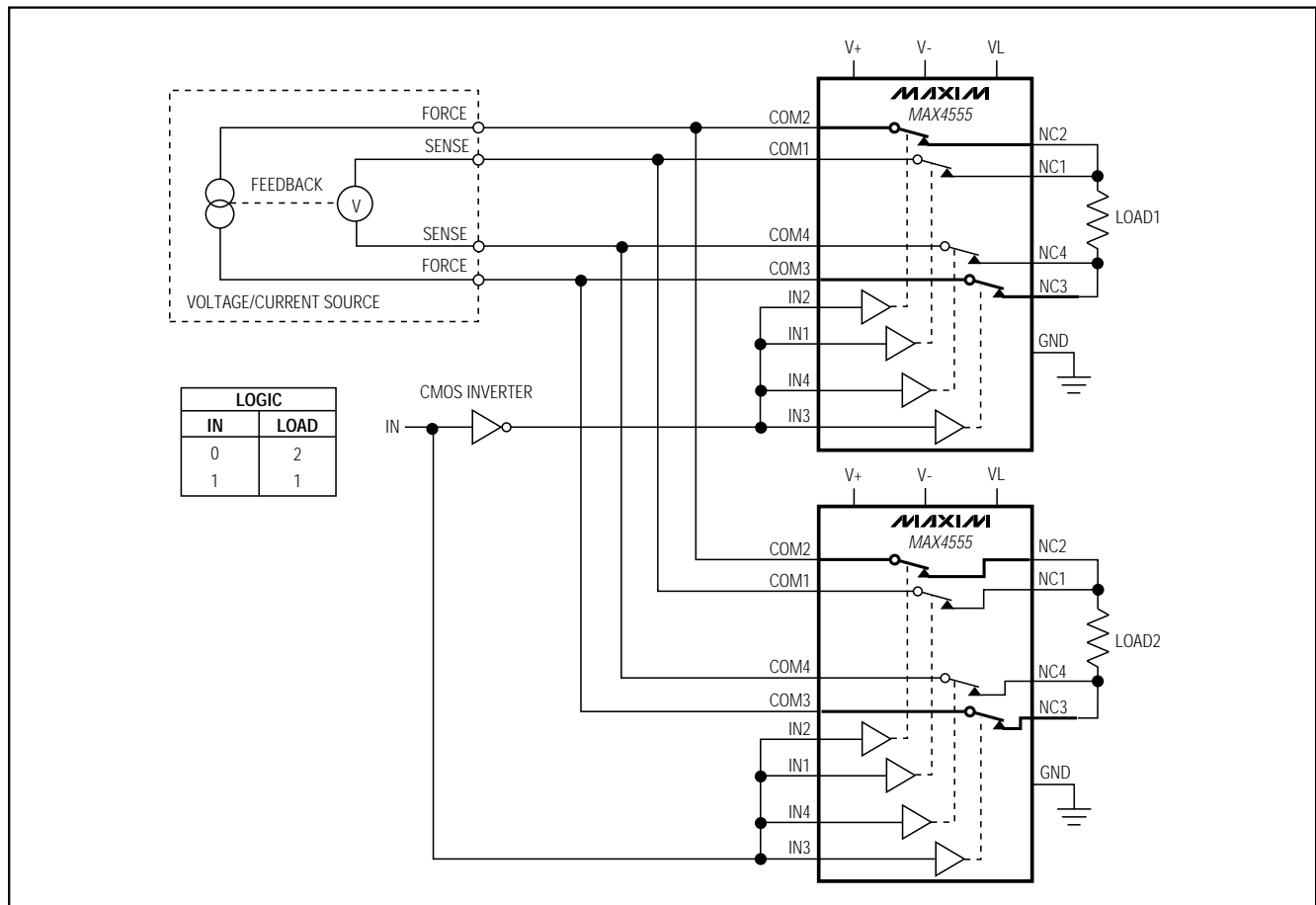


Figure 5. Using the MAX4555 to Switch 4-Wire Force-Sense Circuits from One Source to Two Loads

Force-Sense Switches

Figure 6 shows how to switch a single voltage or current source between two loads using the MAX4554 or MAX4556. By interchanging loads and sources, the circuits can be reversed so that they switch two sources to a single load. The two loads are electrically connected together at one point, but may be physically separated. This means that one force wire does not need to be switched, but the corresponding sense wires do.

The MAX4554 has independent 3PST, NO switches driven out of phase by an external CMOS inverter, so that one switch is on while the other is off. If both switches were turned on at the same time, both loads would be connected, and the resulting voltage at either load

would be close to (but not exactly equal to) the desired value; this would not cause any damage to the device.

Switching 3-Wire Guarded Circuits

Figure 7 shows how to switch a single guarded voltage or current source between two loads using the MAX4554 or MAX4556. By interchanging loads and sources, the circuits can be reversed to switch two sources to a single load. If the loads have a common connection, the switch to that node can be eliminated.

Note that these circuits use sense (high-resistance) switches to switch the common wire. This is permissible only if the load currents are very low. If the currents are high, the common connection should not be switched unless another force switch is substituted.

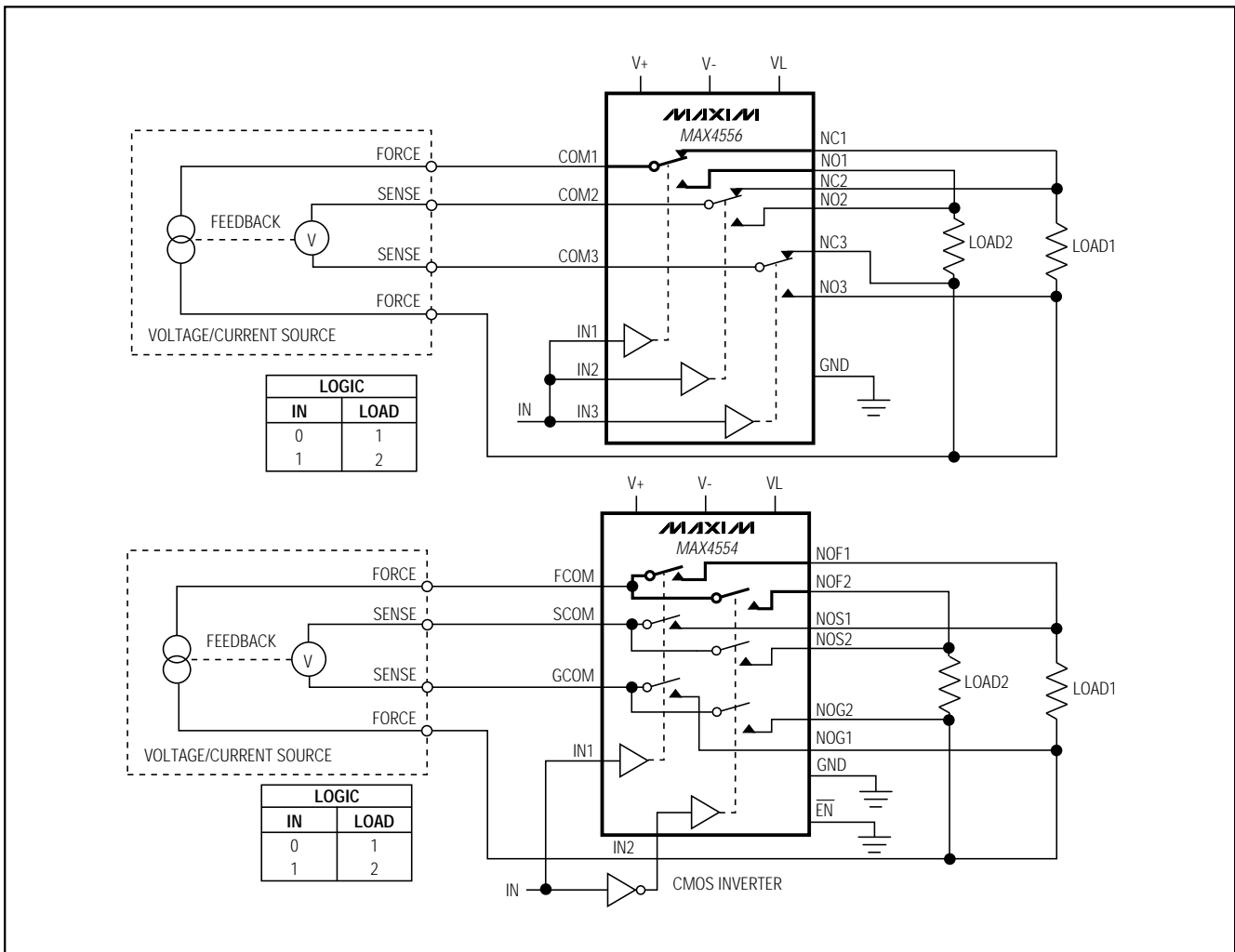


Figure 6. Using the MAX4554/MAX4556 to Switch 4-Wire Force-Sense Circuits from One Source to Two Loads

Force-Sense Switches

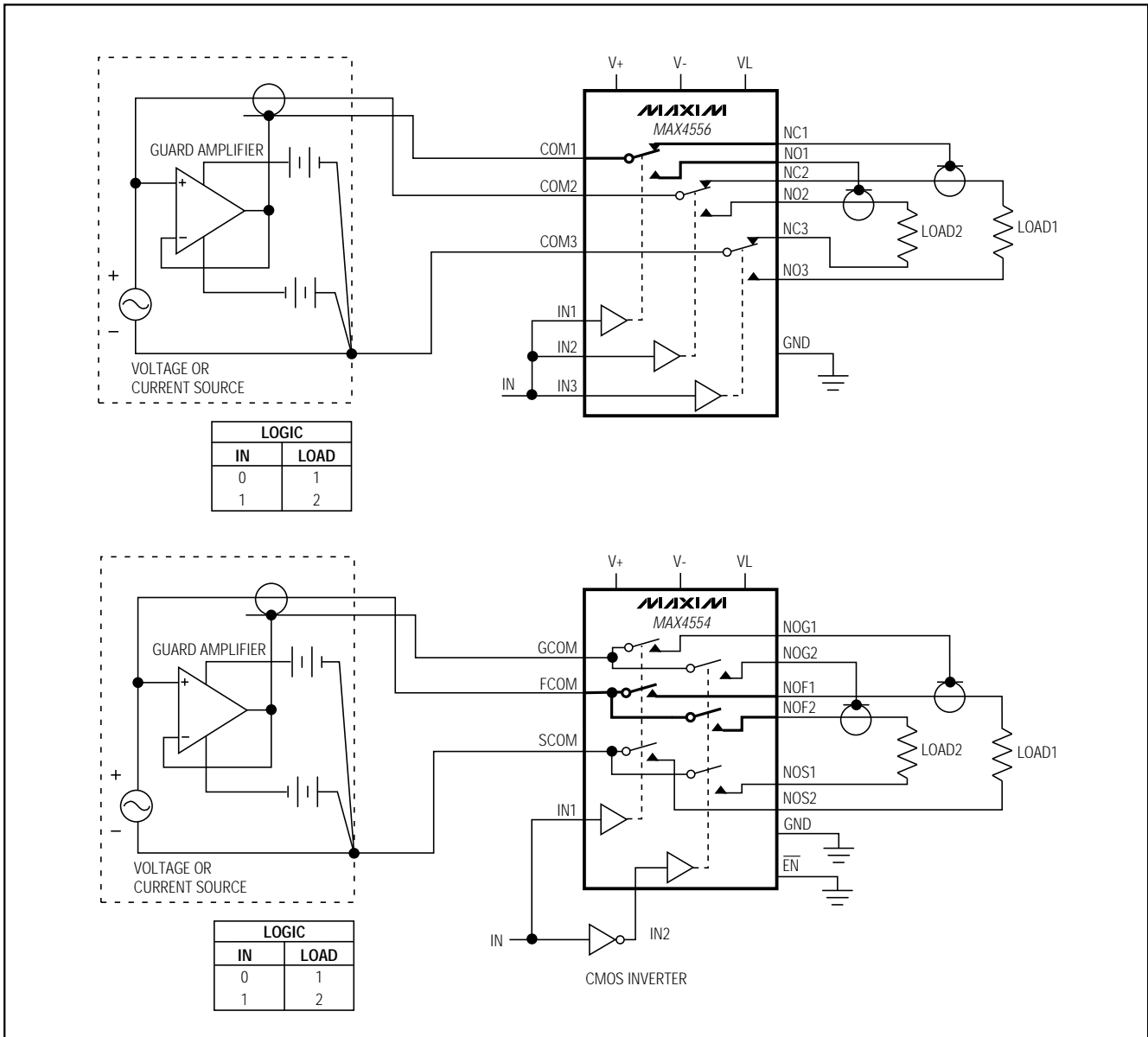


Figure 7. Using the MAX4554/MAX4556 to Switch 3-Wire Guarded Circuits from One Source to Two Loads

Force-Sense Switches

Figure 8 shows how to switch a single guarded voltage or current source between two grounded loads using a MAX4555. By interchanging loads and sources, the circuits can be reversed so that two sources are switched to a single load.

Switching 8-Wire Guarded Circuits

Figure 9 shows how to switch a single 8-wire guarded voltage or current source between two loads using two MAX4556s or two MAX4554s. By interchanging loads and sources, the circuits can be reversed so that they switch two sources to a single load. The two loads are shown isolated from each another, but if they have a common connection then the circuit must remain as shown in order to maintain accurate load voltage.

High-Frequency Performance
 Although switching speed is restricted, once a switch is in a steady state it exhibits good RF performance. In 50Ω systems, signal response is reasonably flat up to 50MHz (see *Typical Operating Characteristics*). The force switches have lower on-resistance, so their insertion loss in 50Ω systems is lower. Above 20MHz, the on-response has several minor peaks that are highly layout dependent. The problem with high-frequency operation is not turning the switches on, but turning them off. The off-state switches act like capacitors and pass higher frequencies with less attenuation. At 10MHz, off-isolation between input or output signals is approximately -30dB in 50Ω systems, degrading (approximately 20dB per decade) as frequency increases. Higher circuit impedances also degrade off-isolation.

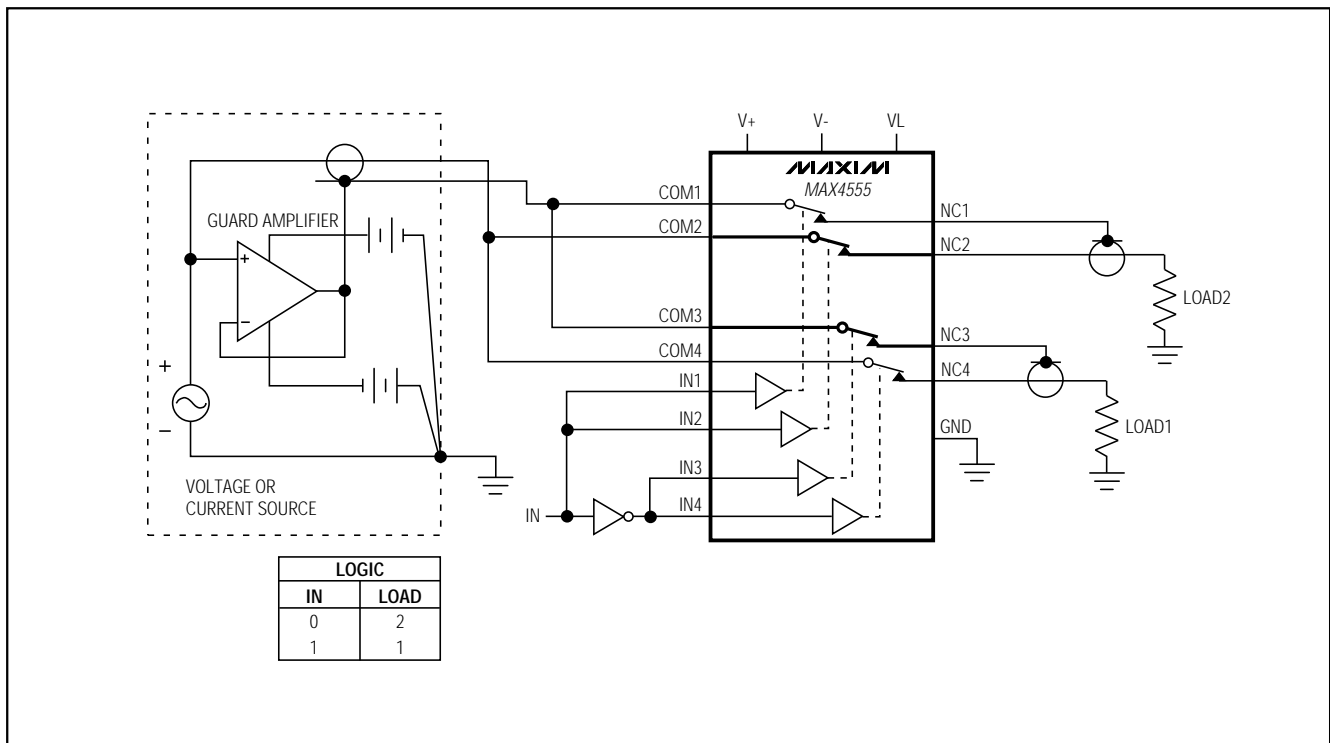


Figure 8. Using the MAX4555 to Switch 3-Wire Guarded Circuits from One Source to Two Loads

Force-Sense Switches

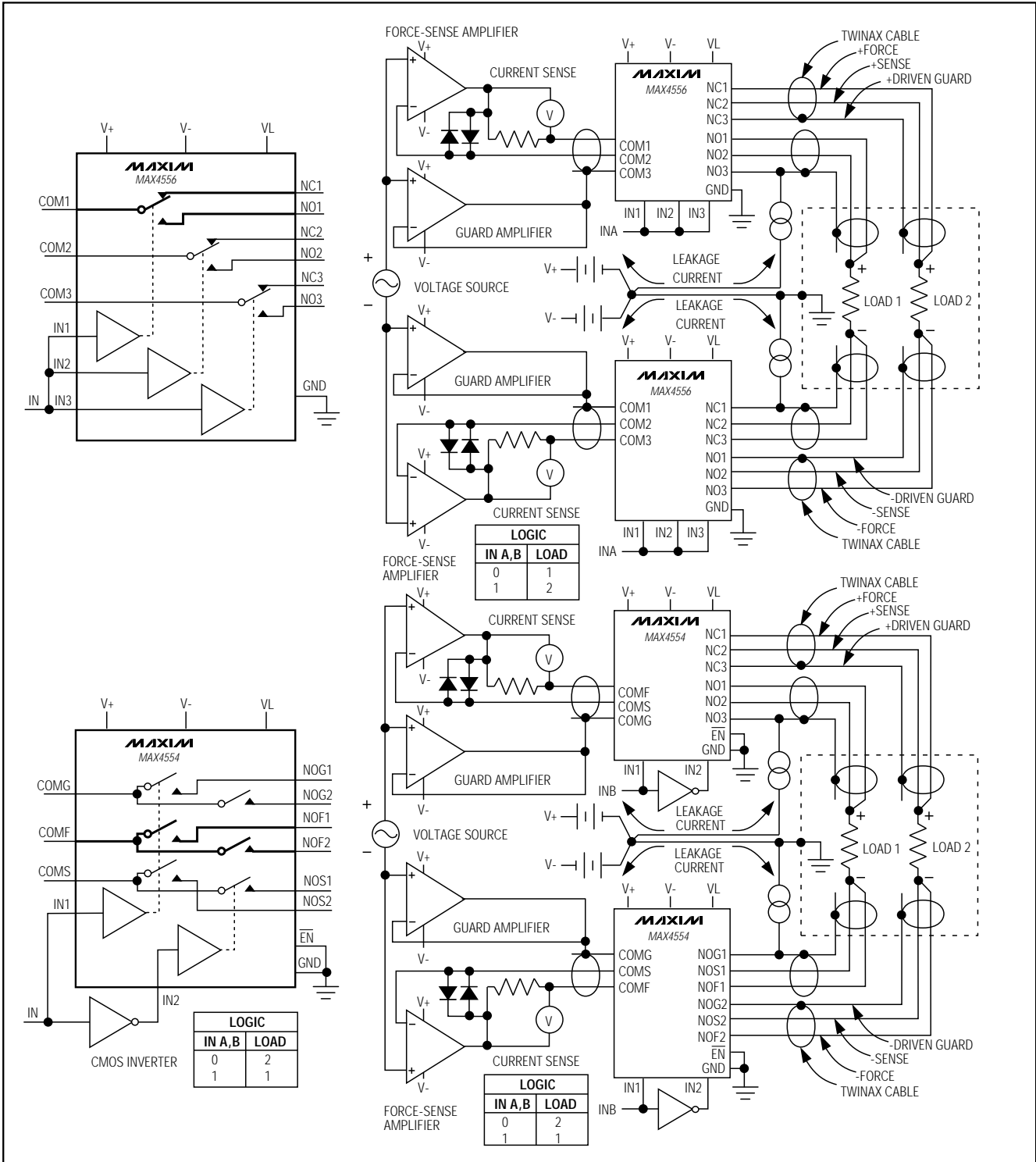


Figure 9. Switching 8-Wire Guarded Force-Sense Measurements from One Precision Source-Monitor to Two Loads

Force-Sense Switches

Test Circuits/Timing Diagrams

MAX4554/MAX4555/MAX4556

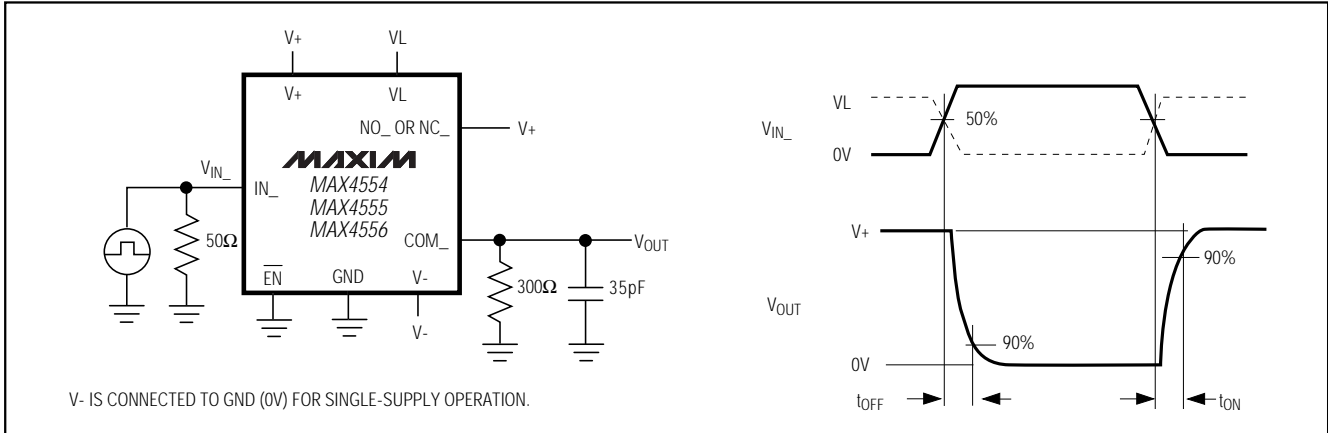


Figure 10. Address Transition Time

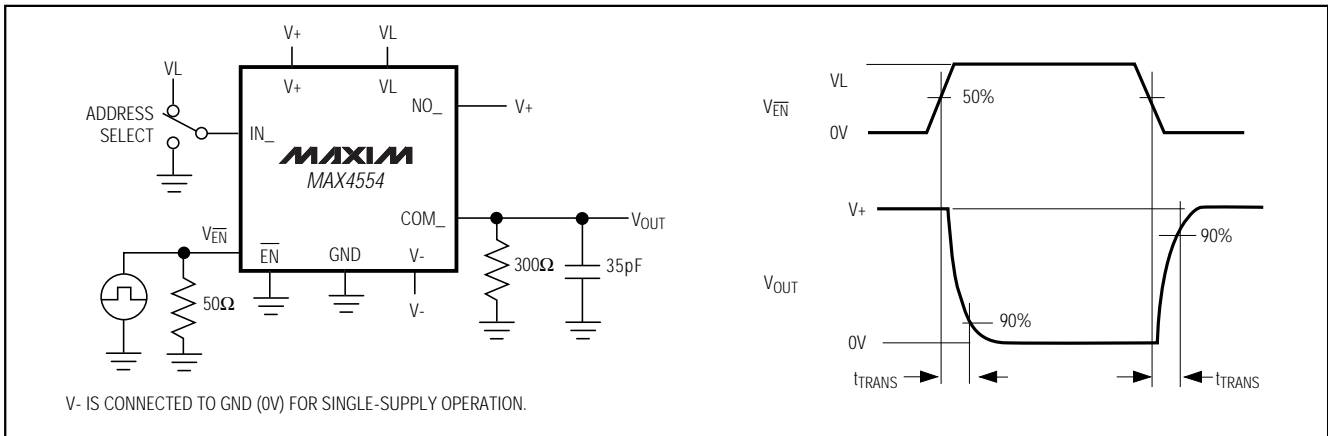


Figure 11. Enable Transition Time

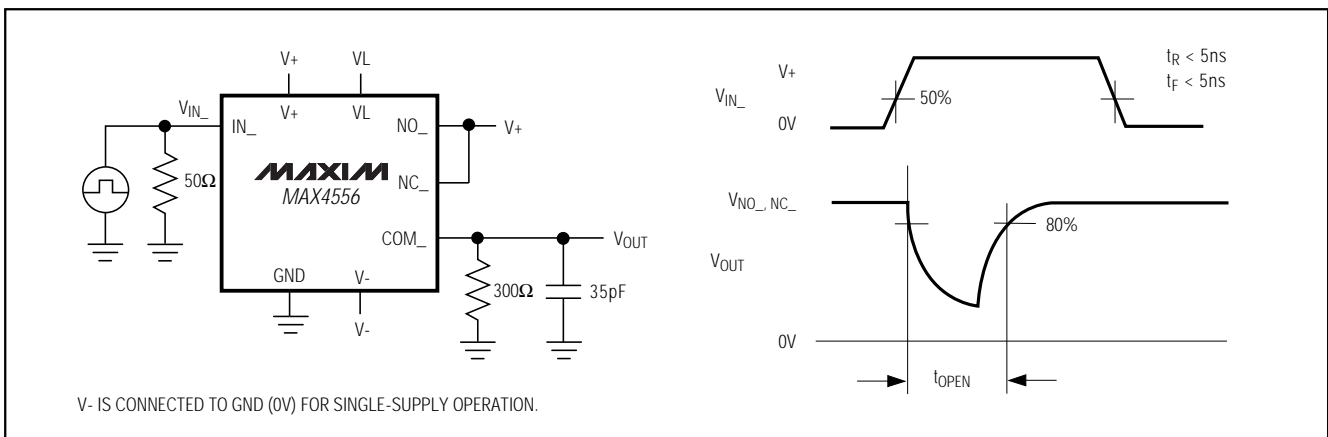


Figure 12. Break-Before-Make Interval

Force-Sense Switches

Test Circuits/Timing Diagrams (continued)

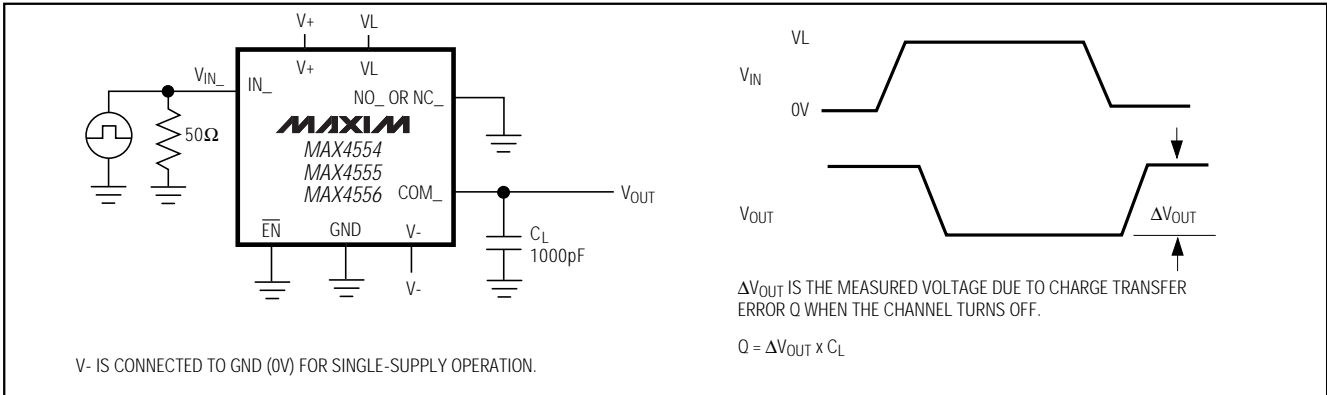


Figure 13. Charge Injection

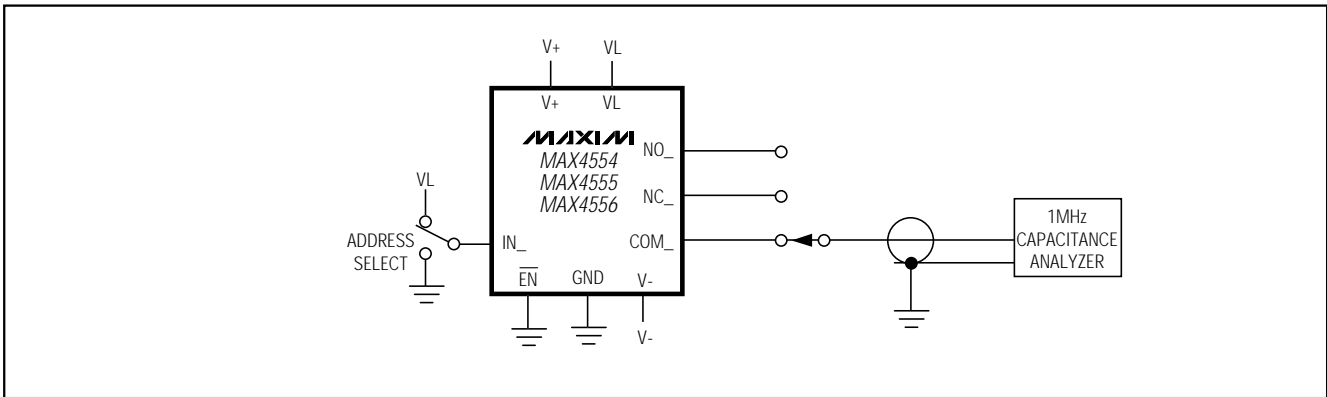


Figure 14. COM, NO, NC Capacitance

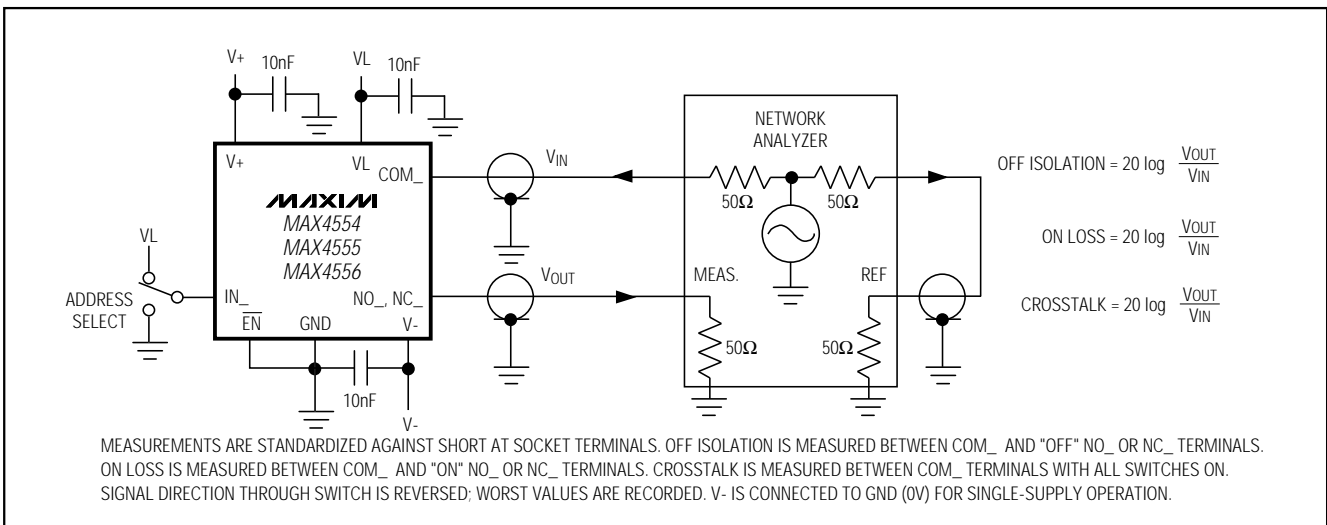
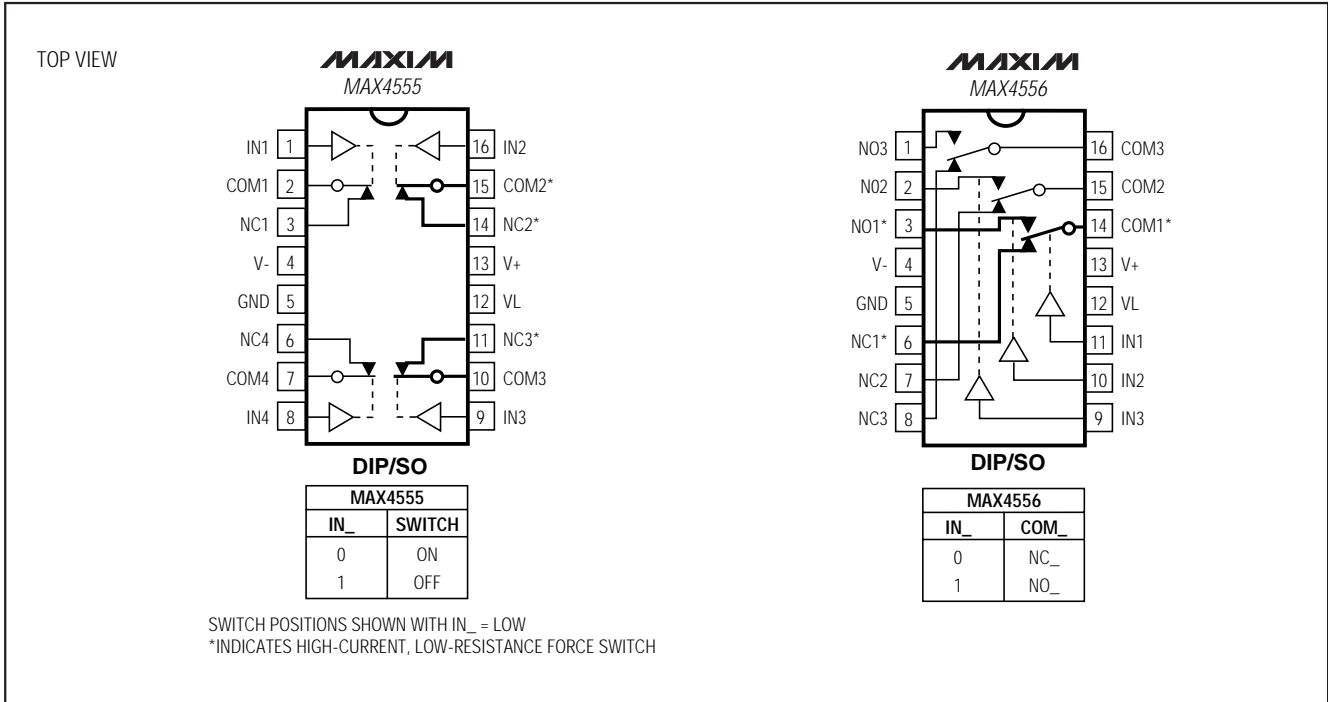


Figure 15. Frequency Response, Off-Isolation, and Crosstalk

Force-Sense Switches

Pin Configurations/Functional Diagrams/Truth Tables (continued)

MAX4554/MAX4555/MAX4556



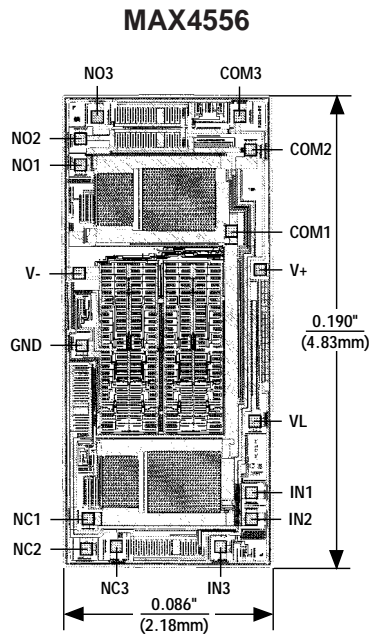
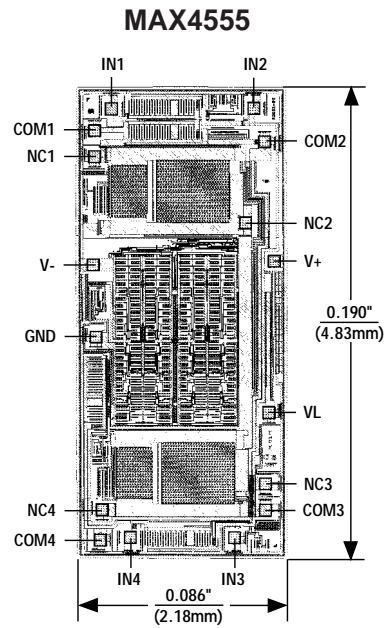
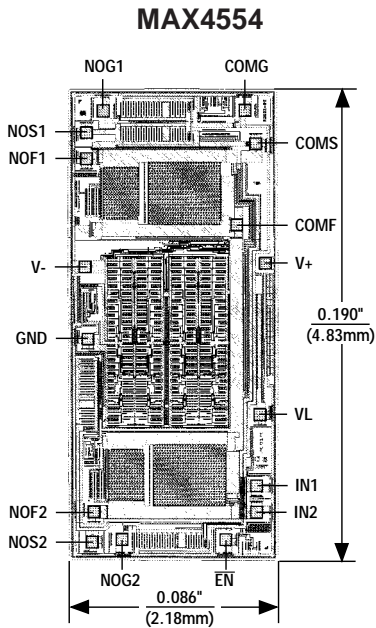
Ordering Information (continued)

| PART | TEMP. RANGE | PIN-PACKAGE |
|--------------------|----------------|----------------|
| MAX4555 CPE | 0°C to +70°C | 16 Plastic DIP |
| MAX4555CSE | 0°C to +70°C | 16 Narrow SO |
| MAX4555C/D | 0°C to +70°C | Dice* |
| MAX4555EPE | -40°C to +85°C | 16 Plastic DIP |
| MAX4555ESE | -40°C to +85°C | 16 Narrow SO |
| MAX4556 CPE | 0°C to +70°C | 16 Plastic DIP |
| MAX4556CSE | 0°C to +70°C | 16 Narrow SO |
| MAX4556C/D | 0°C to +70°C | Dice* |
| MAX4556EPE | -40°C to +85°C | 16 Plastic DIP |
| MAX4556ESE | -40°C to +85°C | 16 Narrow SO |

* Contact factory for availability.

Force-Sense Switches

Chip Topographies



TRANSISTOR COUNT: 197

SUBSTRATE IS INTERNALLY CONNECTED TO V+

Maxim cannot assume responsibility for use of any circuitry other than circuitry entirely embodied in a Maxim product. No circuit patent licenses are implied. Maxim reserves the right to change the circuitry and specifications without notice at any time.

28 Maxim Integrated Products, 120 San Gabriel Drive, Sunnyvale, CA 94086 408-737-7600

Mouser Electronics

Authorized Distributor

Click to View Pricing, Inventory, Delivery & Lifecycle Information:

Maxim Integrated:

[MAX4554CSE+](#) [MAX4554CSE+T](#) [MAX4555CSE+](#) [MAX4555CSE+T](#) [MAX4556ESE+](#) [MAX4556ESE+T](#)
[MAX17528GTJ+T](#) [MAX4554ESE+](#) [MAX4554ESE+T](#)