

3M™ FOUR-WALL HEADER, 2500 SERIES

.100" X .100" LOW PROFILE, SURFACE MOUNT, STRAIGHT AND RIGHT ANGLE THROUGH-HOLE

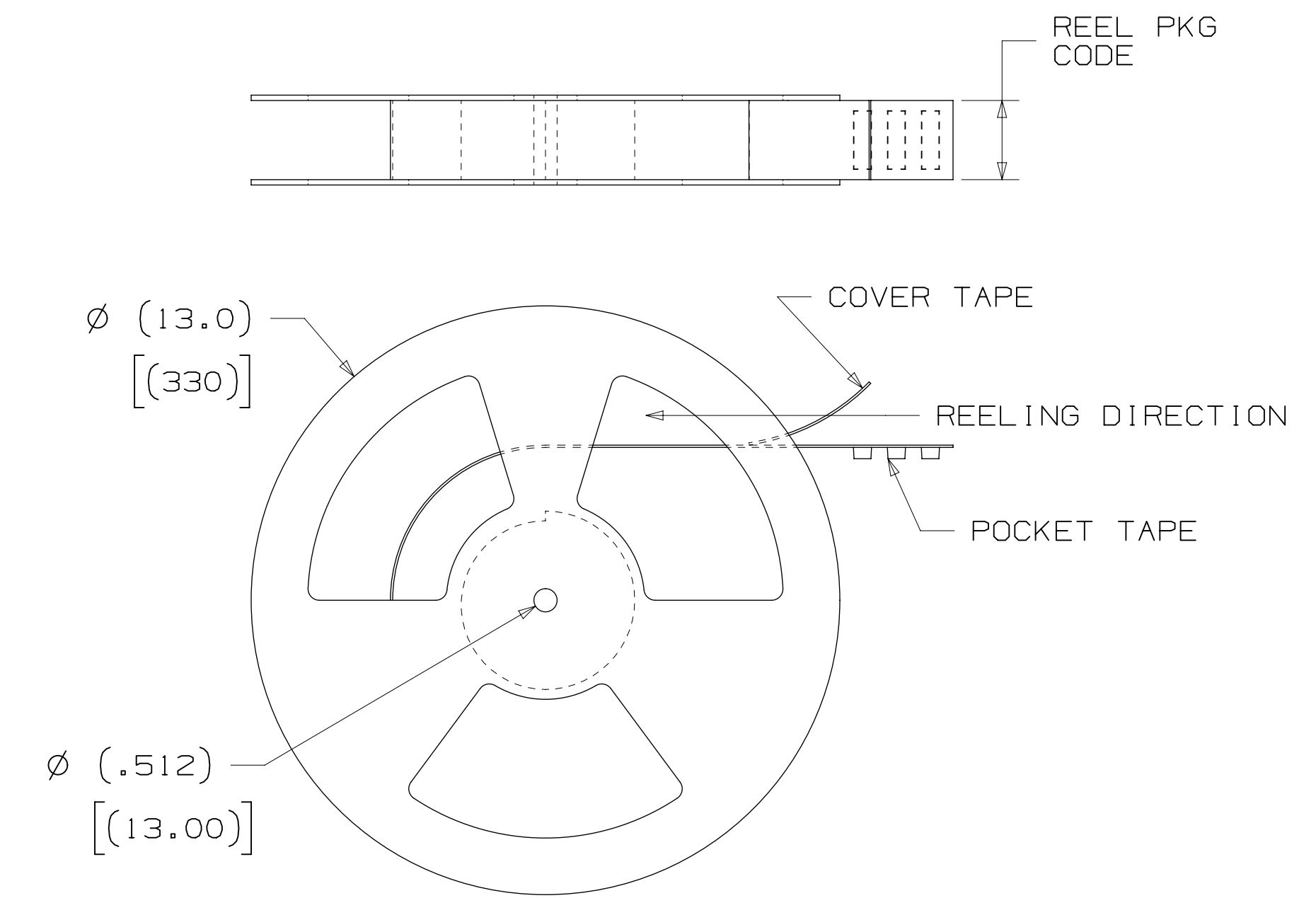
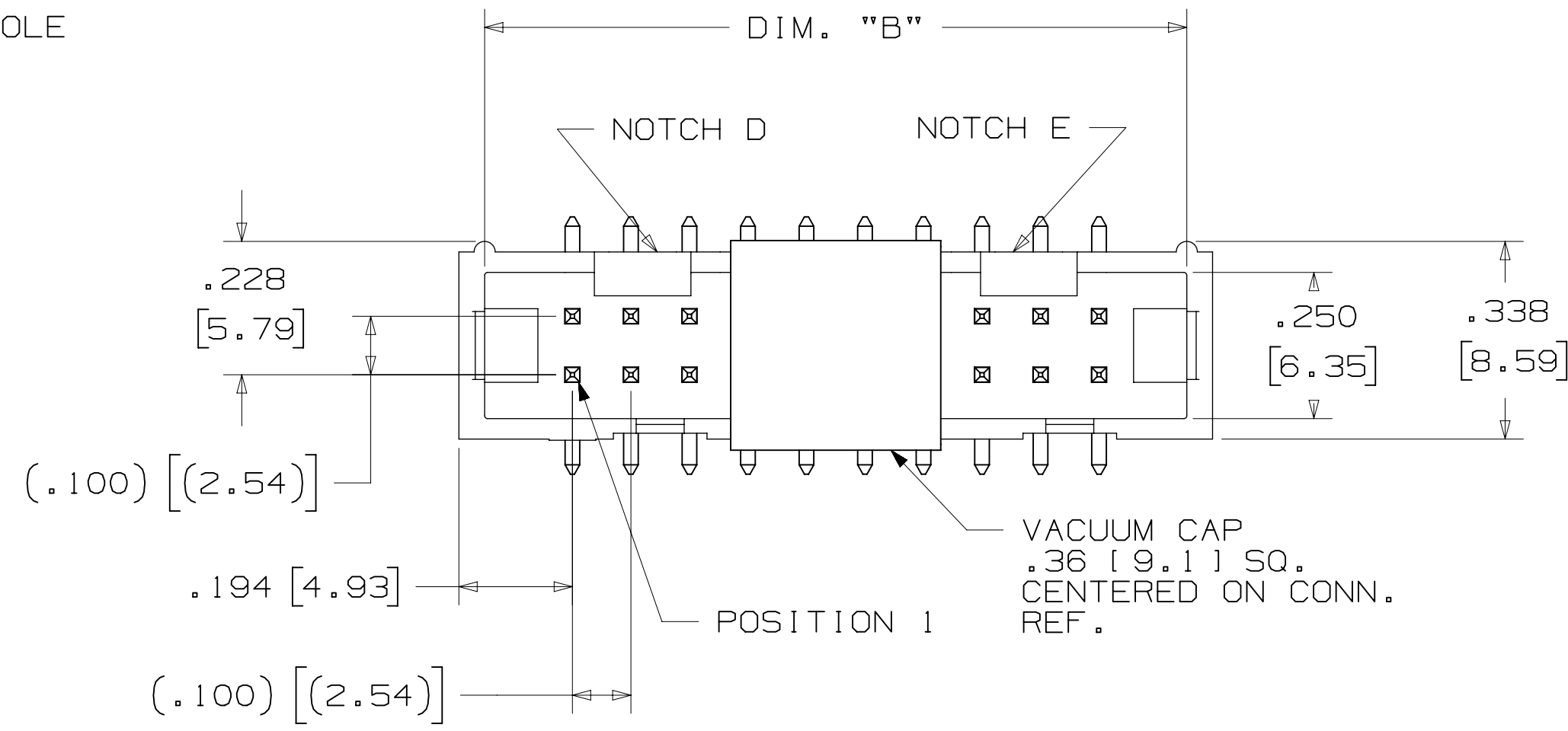
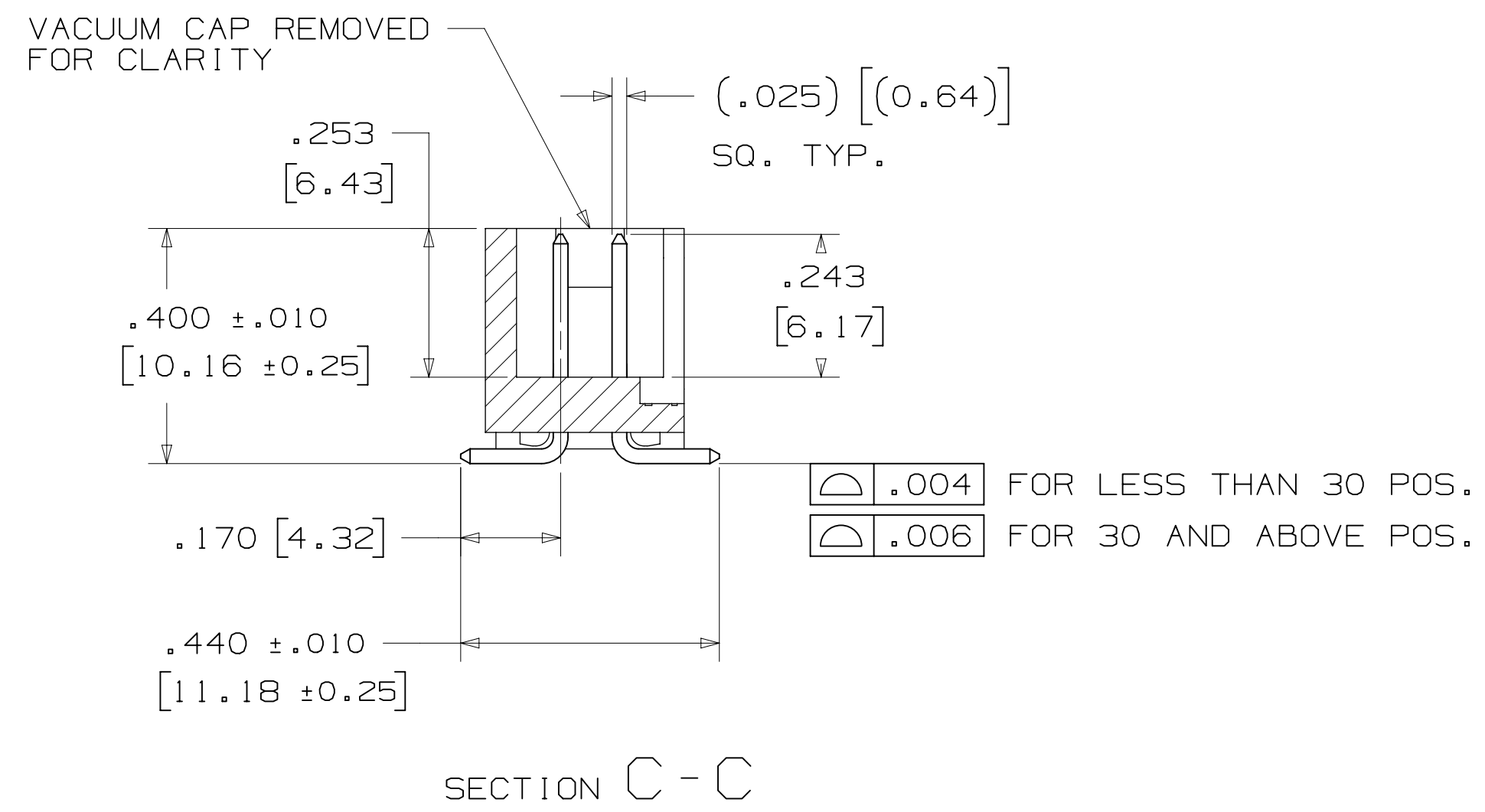
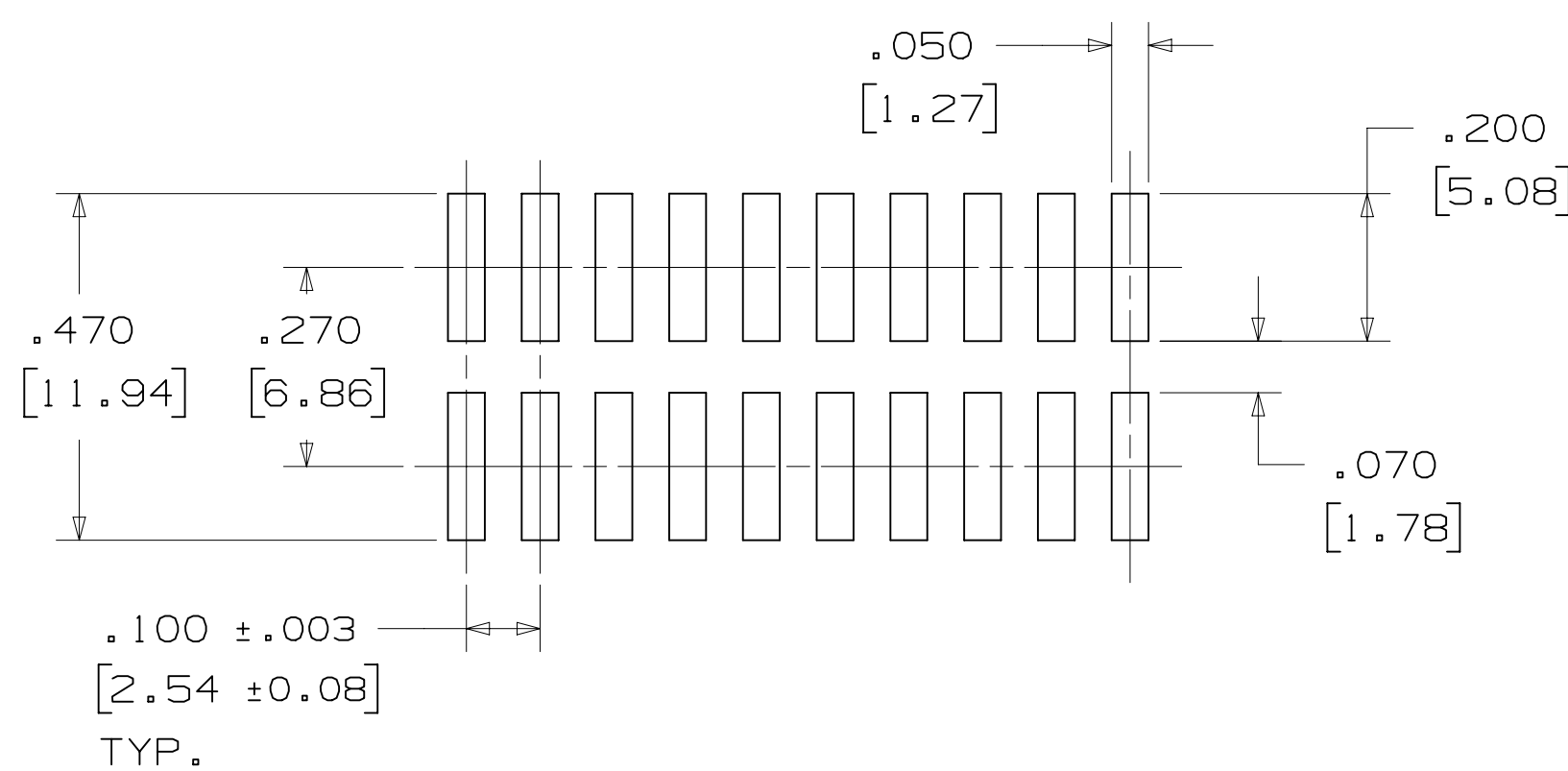
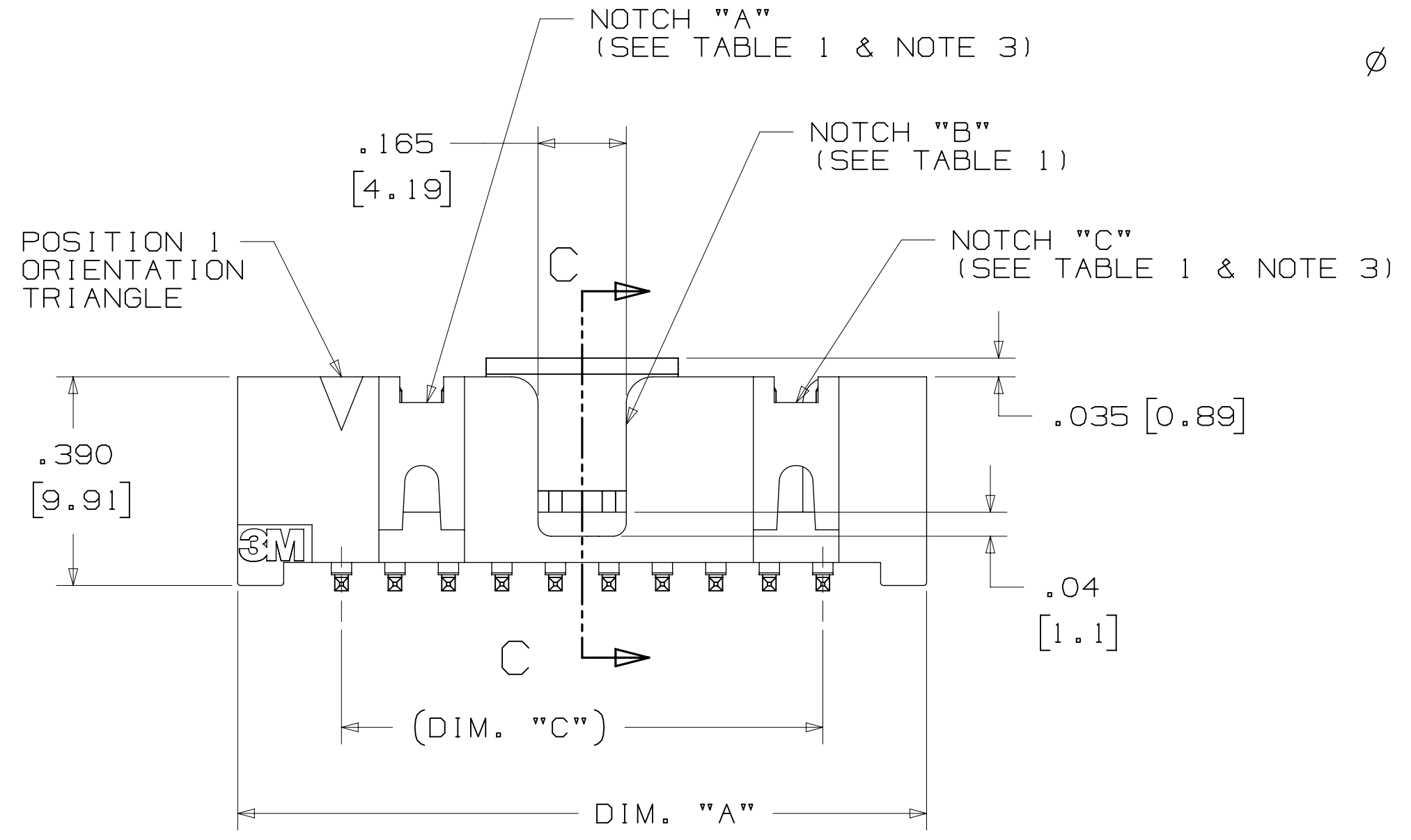


TABLE 1						
PIN QTY.	DIM. "A"	DIM. "B"	DIM. "C"	POLARIZING NOTCHES	TAPE AND REEL PKG CODE	PIN QTY.
06	.588 [14.94]	.508 [12.90]	.200 [5.08]	B	WD (44 MM)	06
08	.688 [17.48]	.608 [15.44]	.300 [7.62]	B	WD (44 MM)	08
10	.788 [20.02]	.708 [17.98]	.400 [10.16]	BC	WD (44 MM)	10
14	.988 [25.10]	.908 [23.06]	.600 [15.24]	BCDE	WD (44 MM)	14
16	1.088 [27.64]	1.008 [25.60]	.700 [17.78]	ABCDE	WD (44 MM)	16
20	1.288 [32.72]	1.208 [30.68]	.900 [22.86]	ABCDE	WE (56 MM)	20
24	1.488 [37.80]	1.408 [35.76]	1.100 [27.94]	ABCDE	WE (56 MM)	24
26	1.588 [40.34]	1.508 [38.30]	1.200 [30.48]	ABCDE	WE (56 MM)	26
30	1.788 [45.42]	1.708 [43.38]	1.400 [35.56]	ABCDE	WF (72 MM)	30
34	1.988 [50.50]	1.908 [48.46]	1.600 [40.64]	ABCDE	WF (72 MM)	34
36	2.088 [53.04]	2.008 [51.00]	1.700 [43.18]	ABCDE	WG (88 MM)	36
40	2.288 [58.12]	2.208 [56.08]	1.900 [48.26]	ABCDE	WG (88 MM)	40
50	2.788 [70.82]	2.708 [68.78]	2.400 [60.96]	ABCDE	WG (88 MM)	50
60	3.288 [83.52]	3.208 [81.48]	2.900 [73.66]	ABCDE	WH (120 MM)	60
64	3.488 [88.60]	3.408 [86.56]	3.100 [78.74]	ABCDE	WH (120 MM)	64



ORDERING INFORMATION SURFACE MOUNT VERSION

X25XX-6VOC-XX-XX

N = RB PLATING REQ'D
D = AR PLATING REQ'D

PIN QUANTITY:
(SEE TABLE 1)

PACKAGING OPTIONS:
WX = TAPE & REEL PACKAGING (SEE TABLE 1)

PLATING:
AR = 10µ" [0.25µm] GOLD AVG.
50µ-150µ [1.27µm-3.81µm] NICKEL UNDERPLATE
40µ-120µ" [1.02µm-3.05µm] MATTE TIN (RIA, E1 & C1 APPLY)
RB = 30µ" [0.76µm] GOLD AVG.
50µ-150µ [1.27µm-3.81µm] NICKEL UNDERPLATE
25µ-200µ" [0.63µm-5.08µm] MATTE TIN (RIA, E1 & C1 APPLY)

RECOMMENDED PAD LAYOUT

DESIGN REFERENCE	NEXT ASSEMBLY	REV	ECO	ISSUE DATE AND DESCRIPTION	DRFT	CHKD
DIVISION		DIVISION CODE		DATE		
Interconnect Solutions		EMSD		AUG 11, 2014		
DO NOT SCALE DRAWING	SCALE 4-1	TOLERANCES EXCEPT AS NOTED		DATE		
THIRD ANGLE PROJECTION		INCHES		DATE		
INTERPRET PER ASME Y14.5 - 2018		0 ± .1 .00 ± .01 .000 ± .005 .0000 ± .0002		DATE		
MAX SURFACE ROUGHNESS		MILLIMETERS		DATE		
0.8 SURFACES		0 ± .2 .00 ± .13 .000 ± .005		DATE		
MARKED ONLY		ANGLES		DATE		
CAGE NUMBER		DRAWING NO.		REV.		
D78-5100-0770-7		2500 SERIES		P		
MODEL		SHT		4 OF 6		

P	89702	JUL 08, 2020	JNC	SN
REVISE DRAWING PER NEW HEADER MODEL				
N	68908	AUG 02, 2016	JNC	SC
REVISE DIM ON SHT2 & CLIP CHART ON SHT5				
M	56068	AUG 11, 2014	JNC	RS
REVISED AND REDRAWN				
REV	ECO	ISSUE DATE AND DESCRIPTION	DRFT	CHKD
CHKD	CASTIGLIONE	AUG 11, 2014	DATE	DATE

© 3M COPYR [GHT] 2020
This document and the information it contains are 3M property and may not be reproduced or further distributed without 3M permission, or used or disclosed other than for 3M authorized purposes. All rights reserved.

3M Center St. Paul, MN 55144

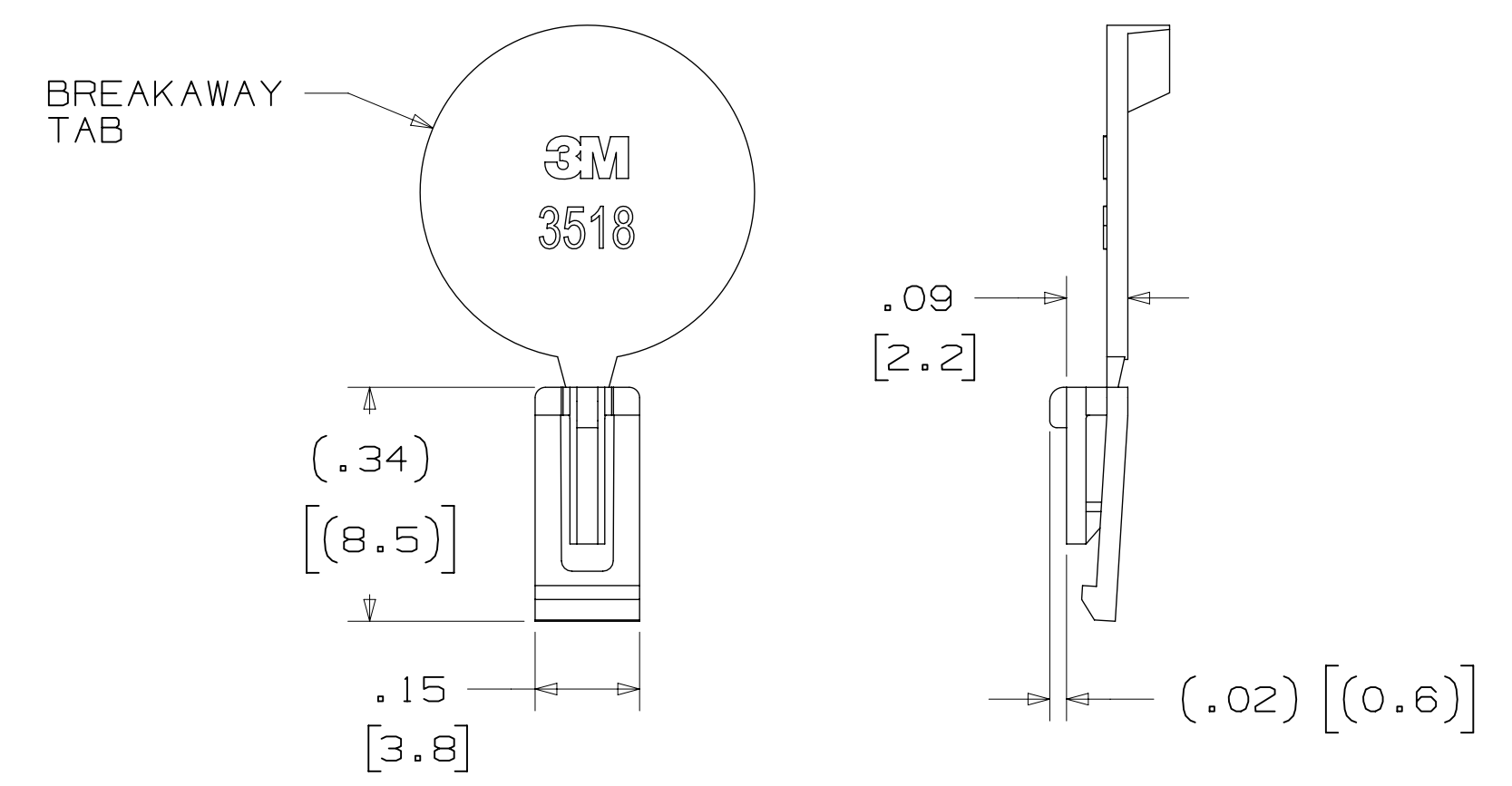
HEADER, 4-WALL, LO-PRO, .100 X .100, SMT, STRAIGHT & RA

3M™ FOUR-WALL HEADER, 2500 SERIES
 .100" X .100" LOW PROFILE, SURFACE MOUNT, STRAIGHT AND RIGHT ANGLE THROUGH-HOLE

PART CUSTOMIZATION

THIS SPEC SHEET DETAILS OUR STANDARD OFFERING.
 3M HAS SEVERAL CAPABILITIES THAT CAN PROVIDE A PART TAILORED TO YOUR SPECIFIC NEEDS. ASK YOUR 3M SALES REPRESENTATIVE OR CUSTOMER SERVICE FOR MORE DETAILS.
 * SELECTIVE PIN REMOVAL (FOR BOARD ASSEMBLY POLARIZATION).
 * DIFFERENT PIN LENGTHS.

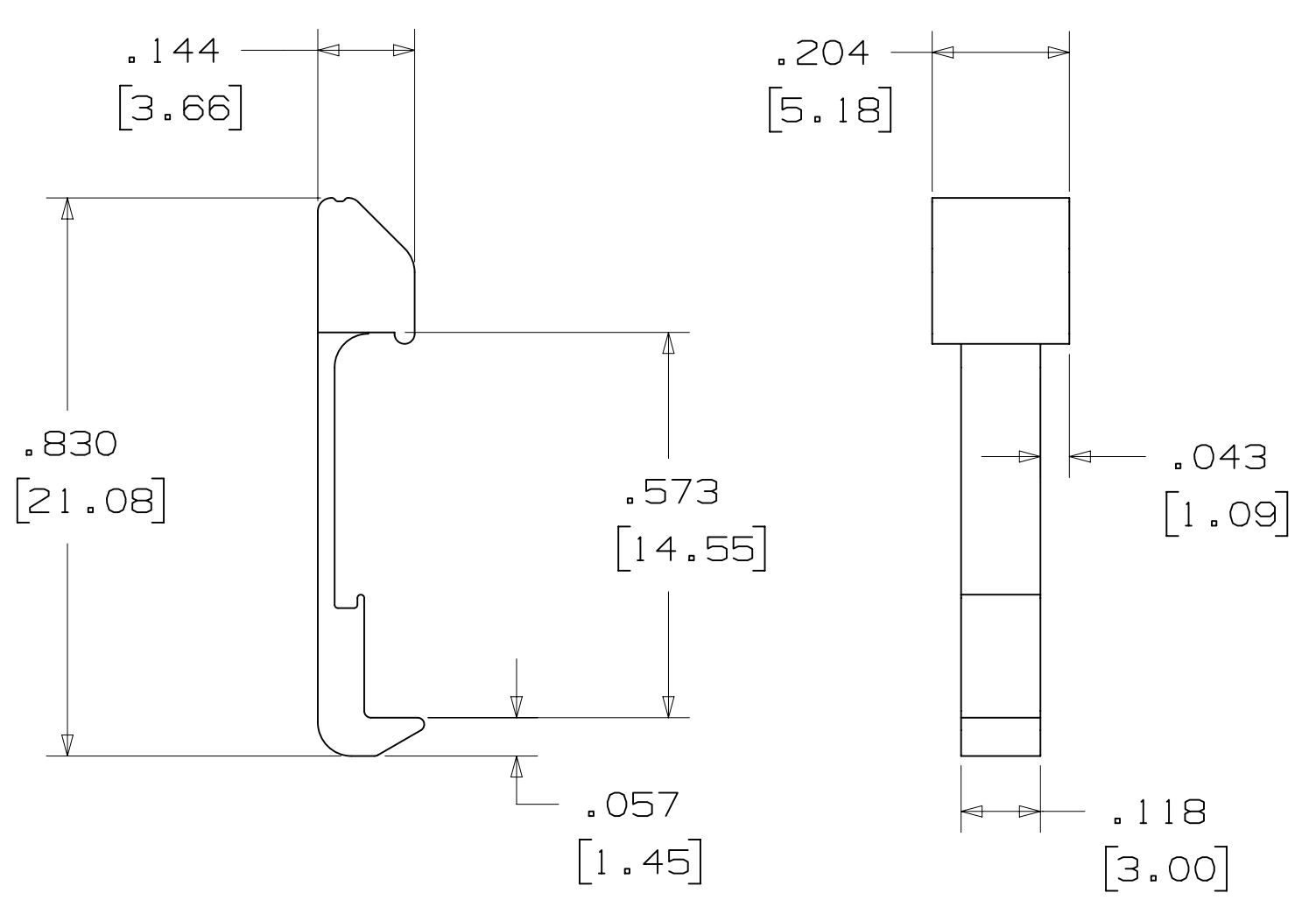
POLARIZING KEY



3M PART NO.	MATERIAL	COLOR
3518	PBT	GRAY
N3518	LCP	BLACK
D3518	PBT	BLACK

NOTE:
 1) #2216 B/A SCOTCHWELD CAN BE USED TO ADHERE KEYS.
 2) SEE INSTRUCTION SHEET 78-9100-7795-3 FOR ASSEMBLY.

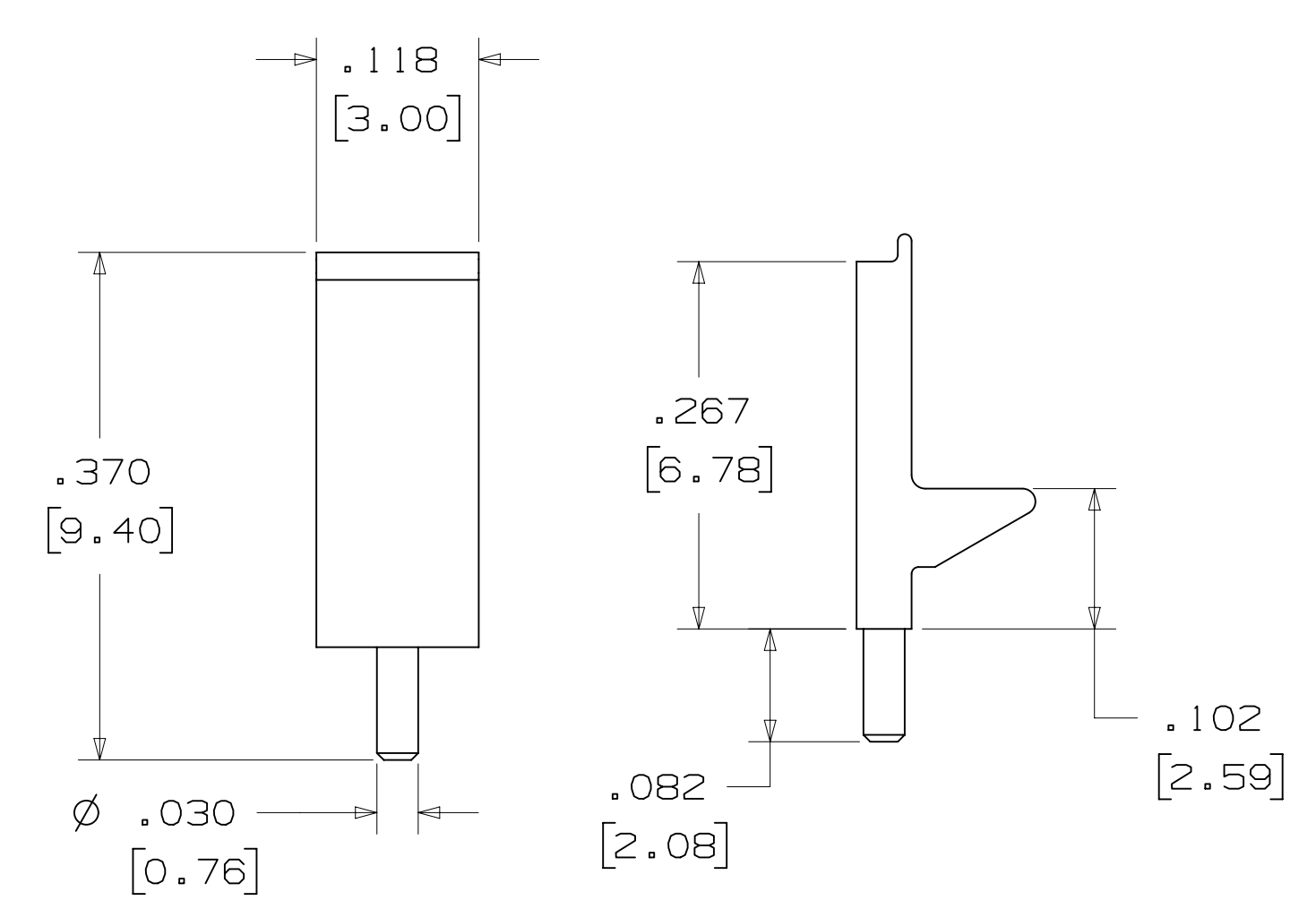
LOW PROFILE LATCH



PART NO.	MATERIAL	COLOR
3505-33B	NYLON	BLACK

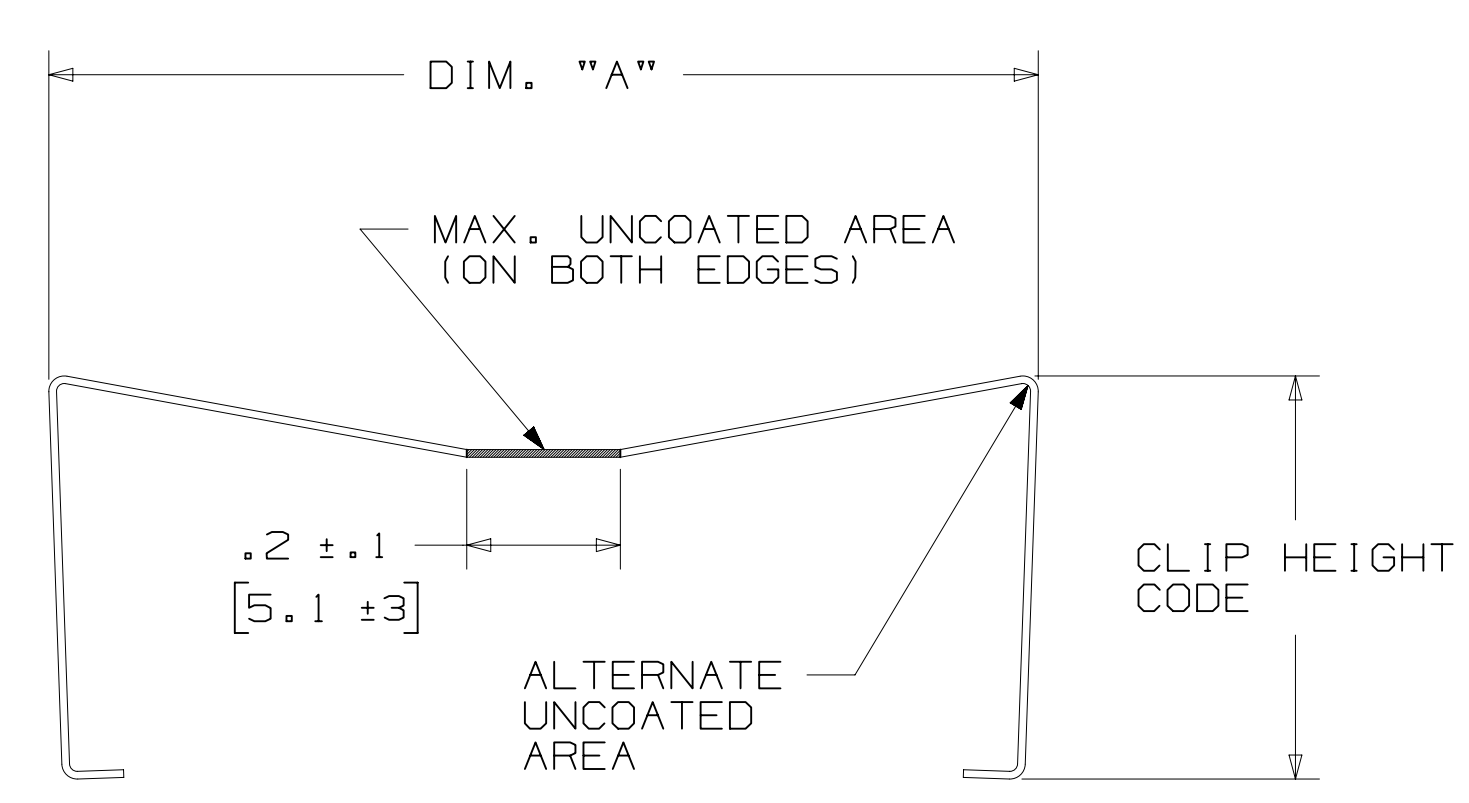
NOTE:
 1. LATCHES NOT COMPATIBLE WITH REFLOW SOLDERING. ATTACH LATCHES AFTER SOLDERING.
 2. LATCHES ARE MEANT FOR RETENTION ONLY.
 3. SEE LAST SHEET FOR ASSEMBLY.

POLARIZING POST



PART NO.	MATERIAL	COLOR
3201-3	PCT	BLACK

SHORT/LONG SOCKET RETAINER CLIP



PIN QTY.	DIM. "A"
06	N/A
08	N/A
10	.81 [20.6]
14	1.02 [25.9]
16	1.12 [28.4]
20	1.32 [33.5]
24	1.52 [38.7]
26	1.63 [41.4]
30	1.83 [46.4]
34	2.03 [51.6]
36	N/A
40	2.33 [59.2]
50	2.83 [71.9]
60	3.33 [84.6]
64	3.53 [89.7]

NOTE:
 STAINLESS STEEL WITH GRAY POLYURETHANE COATING.

3505-8XXX
 CLIP HEIGHT CODE _____ PIN COUNT (SEE TABLE)
 0 = .31 [7.9] FOR SOCKETS WITHOUT STRAIN RELIEF
 1 = .53 [13.5] FOR SOCKETS WITH STRAIN RELIEF

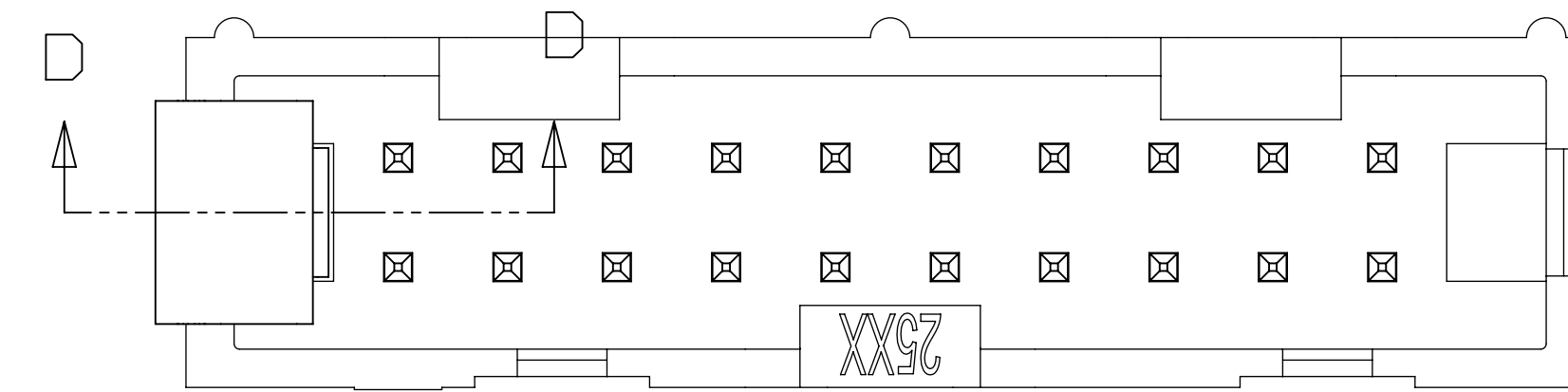
NOTE:
 1) THE FOLLOWING RETAINER CLIPS HAVE BEEN DISCONTINUED:
 3505-8064
 3505-8124
 3505-8150

DESIGN REFERENCE	NEXT ASSEMBLY	REV	ECO	ISSUE DATE AND DESCRIPTION	DRFT	CHKD
ACROSS CODES		CHKD	CASTIGLIONE	DATE AUG 11, 2014	MFG DATE	
DIVISION	DIVISION CODE	APPR	R. SCHERER	DATE	SEP 05, 2014	
Interconnect Solutions	EMSD	© 3M COPYR [GHT] 2020 This document and the information it contains are 3M property and may not be reproduced or further distributed without 3M permission, or used or disclosed other than for 3M authorized purposes. All rights reserved.				
DO NOT SCALE DRAWING	SCALE 4/1	TOLERANCES EXCEPT AS NOTED INCHES: .0 ± .1 .00 ± .01 .000 ± .005 .0000 ± .0002		TITLE HEADER, 4-WALL, LO-PRO, .100 X .100, SMT, STRAIGHT & RA		
THIRD ANGLE PROJECTION	INTERPRET PER ASME Y14.5 - 2018	MILLIMETERS 0 ± 2 .0 ± .13 .00 ± .005		CAGE NUMBER D78-5100-0770-7		
MAX SURFACE ROUGHNESS	MARKED ONLY	ANGLE		MODEL 2500 SERIES		

P REVISION
 78-5100-0770-7
 DRAWING NUMBER
 B
 6
 Drr-set (hrs)
 -- UTC
 Time 9/14/2020
 A
 SHT 5 OF 6

3M™ FOUR-WALL HEADER, 2500 SERIES

.100" X .100" LOW PROFILE, SURFACE MOUNT, STRAIGHT AND RIGHT ANGLE THROUGH-HOLE



Regulatory: For regulatory information about this product, visit 3M.com/regs or contact your 3M representative.

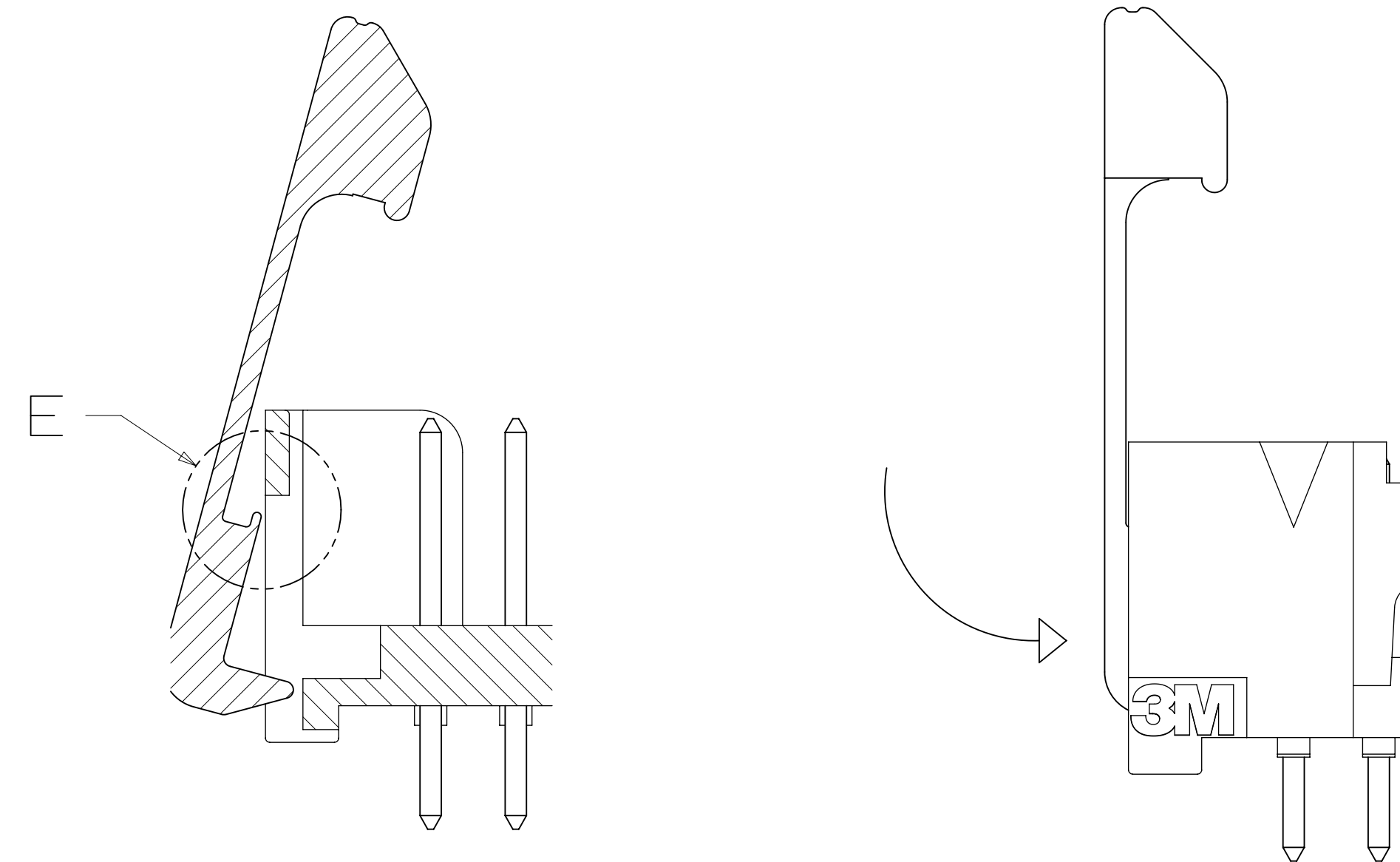
Technical Information: The technical information, recommendations and other statements contained in this document are based upon tests or experience that 3M believes are reliable, but the accuracy or completeness of such information is not guaranteed.

Product Use: Many factors beyond 3M's control and uniquely within user's control can affect the use and performance of a 3M product in a particular application. Given the variety of factors that can affect the use and performance of a 3M product, user is solely responsible for evaluating the 3M product and determining whether it is fit for a particular purpose and suitable for user's method of application.

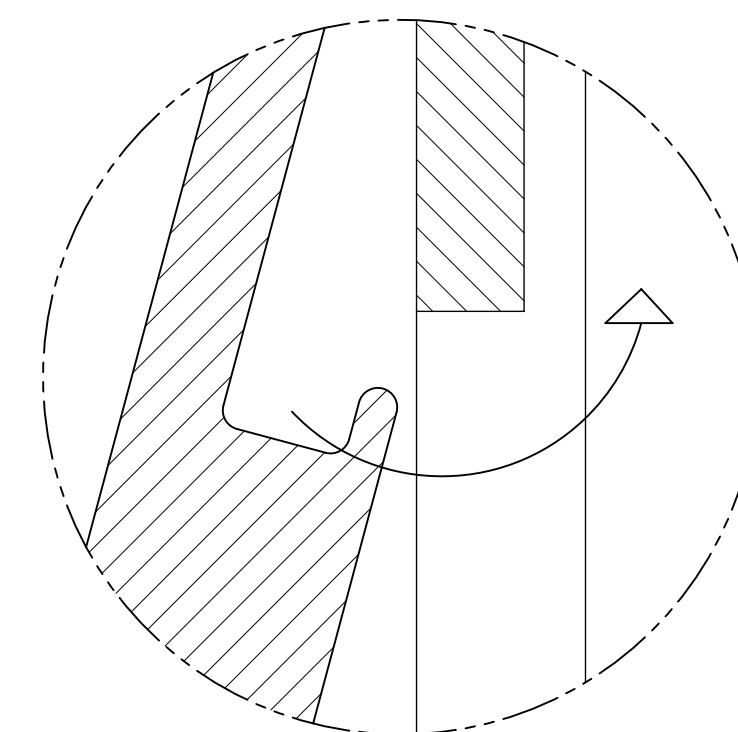
Warranty, Limited Remedy, and Disclaimer: Unless an additional warranty is specifically stated on the applicable 3M product packaging or product literature, 3M warrants that each 3M product meets the applicable 3M product specification at the time 3M ships the product. 3M MAKES NO OTHER WARRANTIES OR CONDITIONS, EXPRESS OR IMPLIED, INCLUDING, BUT NOT LIMITED TO, ANY IMPLIED WARRANTY OR CONDITION OF MERCHANTABILITY OR FITNESS FOR A PARTICULAR PURPOSE OR ANY IMPLIED WARRANTY OR CONDITION ARISING OUT OF A COURSE OF DEALING, CUSTOM OR USAGE OR TRADE. If the 3M product does not conform to this warranty, then the sole and exclusive remedy is, at 3M's option, replacement of the 3M product or refund of the purchase price.

Limitation of Liability: Except where prohibited by law, 3M will not be liable for any loss or damage arising from the 3M product, whether direct, indirect, special, incidental or consequential, regardless of the legal theory asserted, including warranty, contract, negligence or strict liability.

3M Company
 Electronics Materials Solutions Division
 13011 McCallen Pass, Bldg. C
 Austin, TX 78753-5380
 1-800-225-5373
www.3M.com/interconnect



SECTION D-D
 SCALE 6x



Detail E
 SCALE 20x

TO ASSEMBLE LATCH:
 PLACE LIP UNDER OPENING IN END WALL.
 PRESS INTO END WALL UNTIL LATCH CLICKS.

REV	ECO	ISSUE DATE AND DESCRIPTION	DRFT	CHKD
P	89702	JUL 08, 2020 REVISE DRAWING PER NEW HEADER MODEL	JNC	SN
N	68908	AUG 02, 2016 REVISE DIM ON SHT2 & CLIP CHART ON SHT5	JNC	SC
M	56068	AUG 11, 2014 REVISED AND REDRAWN	JNC	RS

DESIGN REFERENCE	NEXT ASSEMBLY	REV	ECO	ISSUE DATE AND DESCRIPTION	DRFT	CHKD
				AUG 11, 2014		

DIVISION	DIVISION CODE	DATE	DATE
Interconnect Solutions	EMSD	AUG 11, 2014	SEP 05, 2014

DO NOT SCALE DRAWING	SCALE	TOLERANCES EXCEPT AS NOTED
	6 1	

INCHES	MILLIMETERS
.0	± .1
.00	± .01
.000	± .005
.0000	± .0002
0	± 2
.0	± .3
.00	± .13
.000	± .005

MAX SURFACE ROUGHNESS	MARKED SURFACES	MARKED ONLY

MODEL	SIZE	DRAWING NO.	REV.
2500 SERIES		D78-5100-0770-7	P

DEF	YES	NO	SHT	OF
IS1s			6	6

P REVISION
 78-5100-0770-7 DRAWING NUMBER
 B
 A
 UTC
 9/14/2020
 6
 Drr-set
 Time
 Standard

Mouser Electronics

Authorized Distributor

Click to View Pricing, Inventory, Delivery & Lifecycle Information:

3M:

[2534-6003UB](#) [2520-5003UG](#) [2526-5003UB](#) [2540-60K2UG](#) [2560-5003UB](#) [2564-6003UB](#) [N2520-6003UB](#) [N2516-5002UB](#) [N2516-60K2UB](#) [N2520-6002UG](#) [N2520-60K2UG](#) [N2526-7002UG](#) [N2530-6002UB](#) [N2534-5002UB](#) [N2534-6003UB](#) [N2540-6002UB](#) [N2550-5002UB](#) [N2550-6002UG](#) [N2550-6003UB](#) [N2510-50K2RB](#) [N2510-5002UB](#) [N2510-6002UB](#) [N2510-6002UG](#) [N2510-7003UG](#) [N2514-5002UB](#) [N2514-5003RB](#) [N2516-50K2RB](#) [N2520-50K2RB](#) [N2520-6003RB](#) [N2524-6002UB](#) [N2526-50K2RB](#) [N2526-6002UB](#) [N2530-5003RB](#) [N2530-60K2RB](#) [N2530-6003RB](#) [N2530-6003UB](#) [N2534-5003RB](#) [N2534-6002UB](#) [N2540-5002UB](#) [N2540-5003RB](#) [N2540-60K2RB](#) [N2540-7002UG](#) [N2550-60K2RB](#) [N2550-6002UB](#) [N2550-6003RB](#) [N2564-60K2RB](#) [2540-60K2UB](#) [N2530-50K2RB](#) [2540-6002UG](#) [2560-6003UB](#) [2526-6003RB](#) [2516-6005EB](#) [N2520-5003UB](#) [N2526-6V0C-RB-WF](#) [N2514-6002RB](#) [N2540-6002RB](#) [N2534-5002RB](#) [N2550-6002RB](#) [N2514-5002RB](#) [N2560-6002RB](#) [2510-6003UG](#) [N2526-7002UB](#) [2560-5002UB](#) [2530-5002UB](#) [2520-6002UG](#) [2526-6002UG](#) [2534-6002UG](#) [2514-6002UG](#) [2524-5002UB](#) [2516-5002UG](#) [2526-5002UG](#) [N2510-6003UB](#) [N2514-6002UB](#) [N2526-6003RB](#) [N2534-60K2RB](#) [N2564-6003RB](#) [2510-5002UB](#) [2510-5003UB](#) [2510-60K2UB](#) [2510-6002UB](#) [2510-6002UG](#) [2514-5002UB](#) [2514-5002UG](#) [2514-5003UB](#) [2514-6002UB](#) [2514-6003UB](#) [2514-6003UG](#) [2516-5003UB](#) [2516-5003UG](#) [2516-6002UG](#) [2516-6003UG](#) [2520-5002UG](#) [2520-5003UB](#) [2520-6003UG](#) [2524-6002UG](#) [2524-6003UB](#) [2526-6002UB](#) [2526-6003UG](#) [2530-5003UB](#) [2530-6002UB](#)