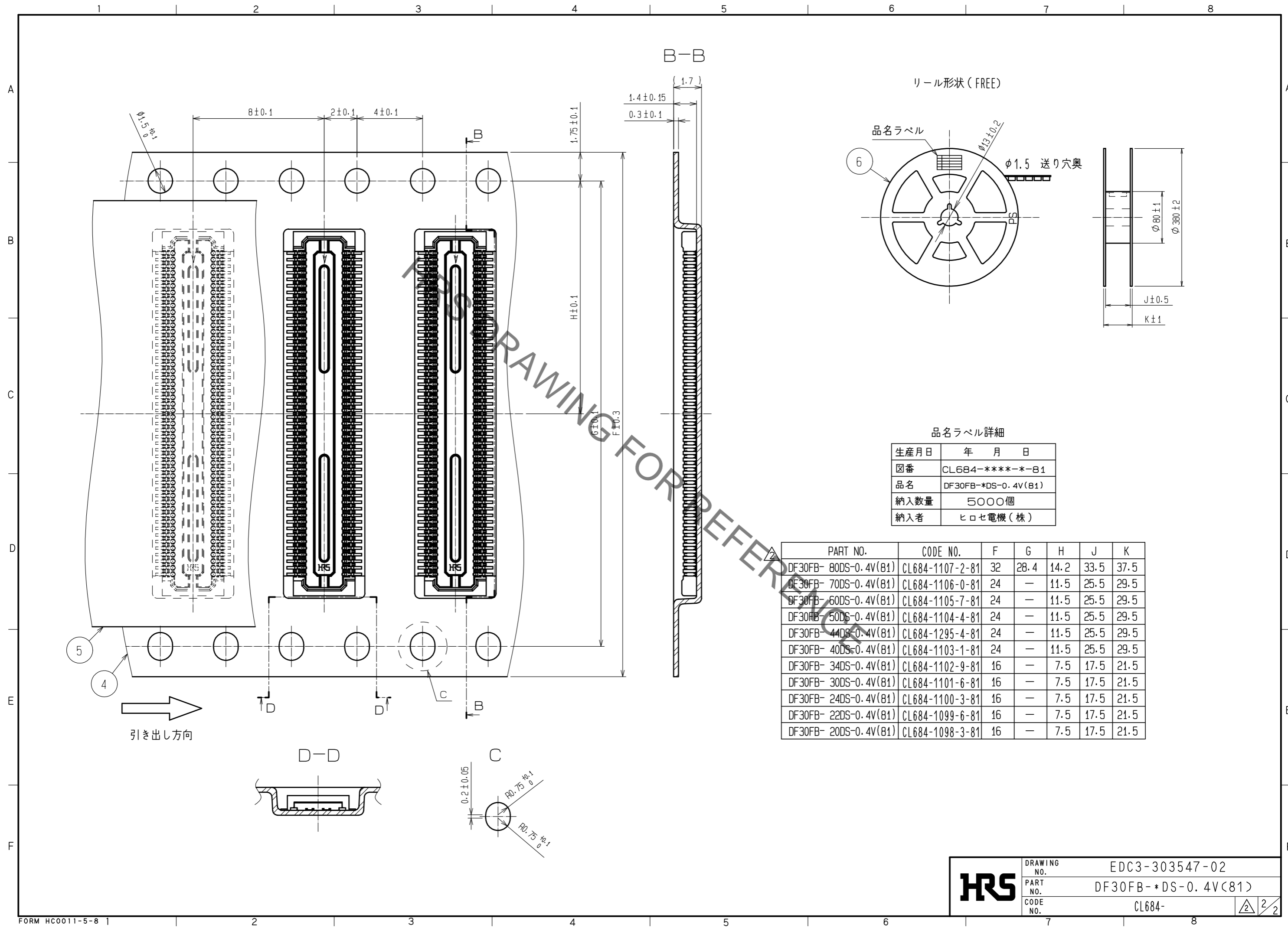
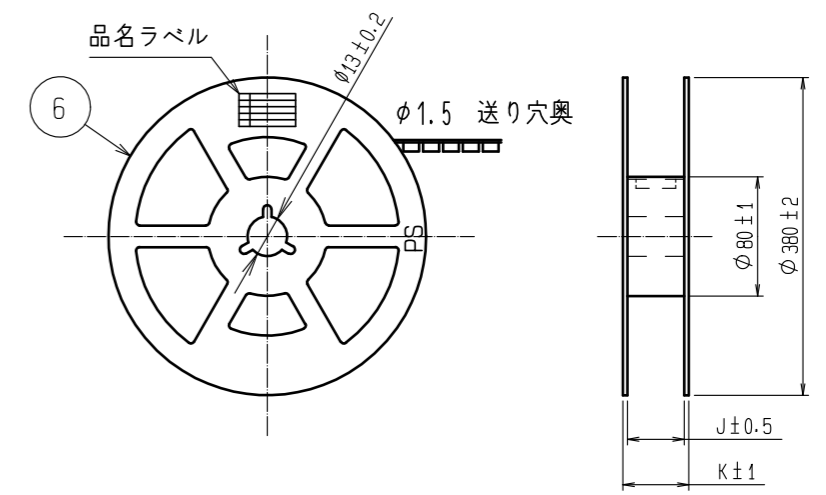


Dec.1.2019 Copyright 2019 HIROSE ELECTRIC CO., LTD. All Rights Reserved.
 In case of consideration for using Automotive equipment / device which demand high reliability, kindly contact our sales window correspondents.



リール形状 (FREE)



品名ラベル詳細

生産月日	年 月 日
図番	CL684-****-*-81
品名	DF30FB-*DS-0.4V(81)
納入数量	5000個
納入者	ヒロセ電機(株)

PART NO.	CODE NO.	F	G	H	J	K
DF30FB- 80DS-0.4V(81)	CL684-1107-2-81	32	28.4	14.2	33.5	37.5
DF30FB- 70DS-0.4V(81)	CL684-1106-0-81	24	—	11.5	25.5	29.5
DF30FB- 60DS-0.4V(81)	CL684-1105-7-81	24	—	11.5	25.5	29.5
DF30FB- 50DS-0.4V(81)	CL684-1104-4-81	24	—	11.5	25.5	29.5
DF30FB- 44DS-0.4V(81)	CL684-1295-4-81	24	—	11.5	25.5	29.5
DF30FB- 40DS-0.4V(81)	CL684-1103-1-81	24	—	11.5	25.5	29.5
DF30FB- 34DS-0.4V(81)	CL684-1102-9-81	16	—	7.5	17.5	21.5
DF30FB- 30DS-0.4V(81)	CL684-1101-6-81	16	—	7.5	17.5	21.5
DF30FB- 24DS-0.4V(81)	CL684-1100-3-81	16	—	7.5	17.5	21.5
DF30FB- 22DS-0.4V(81)	CL684-1099-6-81	16	—	7.5	17.5	21.5
DF30FB- 20DS-0.4V(81)	CL684-1098-3-81	16	—	7.5	17.5	21.5

引き出し方向

HRS DRAWING NO. EDC3-303547-02
 PART NO. DF30FB-*DS-0.4V(81)
 CODE NO. CL684- 2/2

Mouser Electronics

Authorized Distributor

Click to View Pricing, Inventory, Delivery & Lifecycle Information:

[Hirose Electric:](#)

[DF30FB-20DS-0.4V\(81\)](#) [DF30FB-24DS-0.4V\(81\)](#) [DF30FB-30DS-0.4V\(81\)](#) [DF30FB-34DS-0.4V\(81\)](#) [DF30FB-40DS-0.4V\(81\)](#) [DF30FB-44DS-0.4V\(81\)](#) [DF30FB-50DS-0.4V\(81\)](#) [DF30FB-70DS-0.4V\(81\)](#) [DF30FB-80DS-0.4V\(81\)](#)