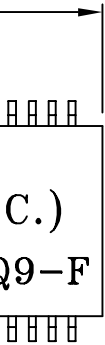
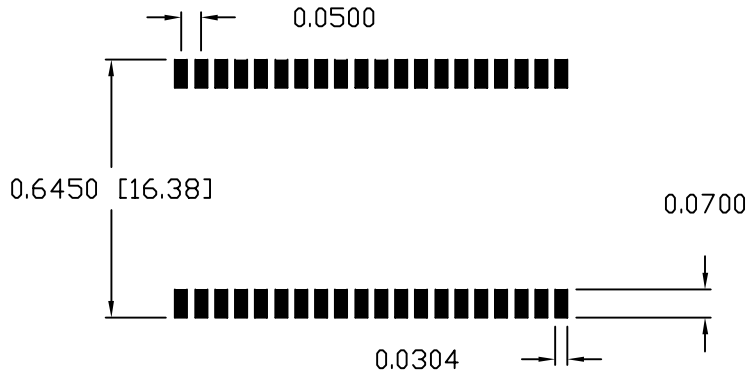


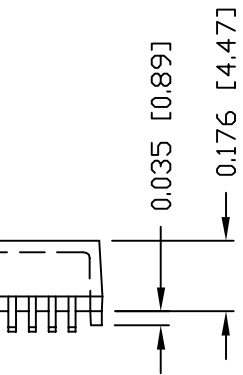
RoHS



SUGGESTED PCB PAD LAYOUT

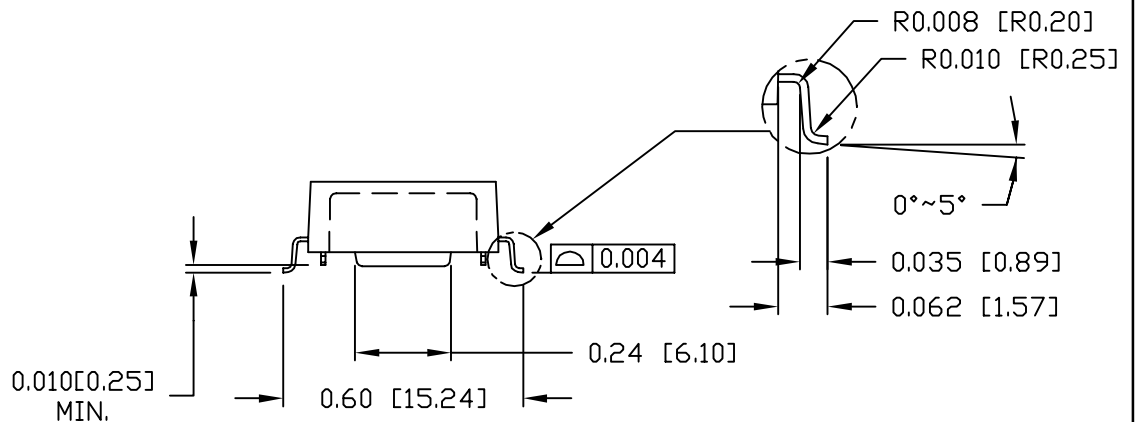


±0.05]



HAND-WORK-04.

G TO JAPAN CUSTOMERS.
WITH 4M CRITERIA.



REV. : H PAGE : 3

MECHANICAL DRAWING

3-5999-Q9-F

PART NO. / DRAWING NO.

X5585999Q9-F

FILE NAME

X5585999Q9FH.DWG

STANDARD DIM.

TOL. IN INCH

.X

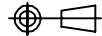
.XX ±0.01

.XXX ±0.005

[] METRIC DIM. AS REF.

UNIT : INCH [mm]

SCALE : N/A



SIZE : A4



Mouser Electronics

Authorized Distributor

Click to View Pricing, Inventory, Delivery & Lifecycle Information:

Bel:

[S558-5999-Q9-F](#)