

Axial Leads/SpinGuard®



C0G (NP0) Dielectric

SIZE AND CAPACITANCE SPECIFICATIONS

Dimensions: Millimeters (Inches)

AVX Style	SA05	SA10	SA11	SA20	SA30	SA40	
Length (L)	3.00 (.118")	4.32 (.170")	4.32 (.170")	6.60 (.260")	7.37 (.290")	10.16 (.400")	
Diameter (D)	2.30 (.090")	2.54 (.100")	3.05 (.120")	2.54 (.100")	3.81 (.150")	3.81 (.150")	
Lead Diameter	.445 (.0175")	.445 (.0175")	.445 (.0175")	.445 (.0175")	.445 (.0175")	.445 (.0175")	
Lead Length	25.4 (1.00")	25.4 (1.00")	25.4 (1.00")	25.4 (1.00")	25.4 (1.00")	25.4 (1.00")	
Cap. in pF	Typical AVX Part Nos.	WVDC		WVDC		WVDC	
		200	100	200	100	50	100
				200	100	50	100
					100	50	100
						100	50
							100
1.0* ↓ 9.1*	SA102A1R0DAR ↓ SA102A9R1DAR						
10 12 15	SA102A100JAR SA102A120JAR SA102A150JAR						
18 22 27	SA102A180JAR SA102A220JAR SA102A270JAR						
33 39 47	SA102A330JAR SA102A390JAR SA102A470JAR						
56 68 82	SA102A560JAR SA102A680JAR SA102A820JAR						
100 120 150	SA102A101JAR SA102A121JAR SA101A151JAR						
180 220 270	SA101A181JAR SA101A221JAR SA101A271JAR						
330 390 470	SA101A331JAR SA101A391JAR SA101A471JAR						
560 680 820	SA101A561JAR SA101A681JAR SA101A821JAR						
1000 1200 1500	SA105A102JAR SA201A122JAR SA201A152JAR						
1800 2200 2700	SA205A182JAR SA301A222JAR SA301A272JAR						
3300 3900 4700	SA301A332JAR SA301A392JAR SA305A472JAR						
5600 6800 8200	SA401A562JAR SA401A682JAR SA405A822JAR						
10,000 12,000	SA405A103JAR SA405A123JAR						

For other tolerances see Part No. Codes
 For other voltages see Part No. Codes
 AVX Style

= Industry preferred values

**"C&D" Tolerance Only



Axial Leads/SpinGuard®



X7R Dielectric

SIZE AND CAPACITANCE SPECIFICATIONS

Dimensions: Millimeters (Inches)

AVX Style	SA05	SA10	SA11	SA20	SA30	SA40									
Length (L)	3.00 (.118")	4.32 (.170")	4.32 (.170")	6.60 (.260")	7.37 (.290")	10.16 (.400")									
Diameter (D)	2.30 (.090")	2.54 (.100")	3.05 (.120")	2.54 (.100")	3.81 (.150")	3.81 (.150")									
Lead Diameter	.445 (.0175")	.445 (.0175")	.445 (.0175")	.445 (.0175")	.445 (.0175")	.445 (.0175")									
Lead Length	25.4 (1.00")	25.4 (1.00")	25.4 (1.00")	25.4 (1.00")	25.4 (1.00")	25.4 (1.00")									
Cap. in pF	Typical AVX Part Nos.	WVDC			WVDC		WVDC		WVDC		WVDC		WVDC		
		200	100	50	200	100	50	100	50	100	50	100	50	100	50
220 270 330	SA102C221KAR SA102C271KAR SA102C331KAR														
390 470 560	SA102C391KAR SA102C471KAR SA101C561KAR														
680 820 1000	SA101C681KAR SA101C821KAR SA101C102KAR														
1200 1500 1800	SA101C122KAR SA101C152KAR SA101C182KAR														
2200 2700 3300	SA101C222KAR SA101C272KAR SA101C332KAR														
3900 4700 5600	SA101C392KAR SA101C472KAR SA101C562KAR														
6800 8200 10,000	SA101C682KAR SA105C822KAR SA105C103KAR														
12,000 15,000 18,000	SA105C123KAR SA105C153KAR SA105C183KAR														
22,000 27,000 33,000	SA105C223KAR SA105C273KAR SA105C333KAR														
39,000 47,000 56,000	SA105C393KAR SA105C473KAR SA115C563KAR														
68,000 82,000 100,000	SA115C683KAR SA115C823KAR SA115C104KAR														
120,000 150,000 180,000	SA305C124KAR SA305C154KAR SA305C184KAR														
220,000 270,000 330,000	SA305C224KAR SA305C274KAR SA305C334KAR														
470,000	SA405C474KAR														

For other tolerances see Part No. Codes
 For other voltages see Part No. Codes
 AVX Style

= Industry preferred values

Axial Leads/SpinGuard®



Z5U Dielectric

SIZE AND CAPACITANCE SPECIFICATIONS

Dimensions: Millimeters (Inches)

AVX Style	SA05	SA10	SA11	SA20	SA30	SA40
Length (L)	3.00 (.118")	4.32 (.170")	4.32 (.170")	6.60 (.260")	7.37 (.290")	10.16 (.400")
Diameter (D)	2.30 (.090")	2.54 (.100")	3.05 (.120")	2.54 (.100")	3.81 (.150")	3.81 (.150")
Lead Diameter	.445 (.0175")	.445 (.0175")	.445 (.0175")	.445 (.0175")	.445 (.0175")	.445 (.0175")
Lead Length	25.4 (1.00")	25.4 (1.00")	25.4 (1.00")	25.4 (1.00")	25.4 (1.00")	25.4 (1.00")
Cap. in pF	Typical AVX Part Nos.	WVDC 50	WVDC 100 50	WVDC 100 50	WVDC 100 50	WVDC 100 50
10,000 15,000 22,000	SA105E103ZAR SA105E153ZAR SA105E223ZAR					
33,000 47,000 68,000	SA105E333ZAR SA105E473ZAR SA105E683ZAR					
*100,000 150,000 220,000	SA105E104ZAR SA105E154ZAR SA105E224ZAR					
330,000 470,000 680,000	SA115E334ZAR SA305E474ZAR SA305E684ZAR					
820,000 1,000,000	SA305E824ZAR SA305E105ZAR					

For other tolerances see Part No. Codes
 For other voltages see Part No. Codes
 AVX Style

= Industry preferred values

*Preferred Industry Decoupling Capacitor — Insertable on .300" centers.

SA105E104ZAA

Axial Leads/SpinGuard®



X5R Dielectric

SIZE AND CAPACITANCE SPECIFICATIONS

Dimensions: Millimeters (Inches)



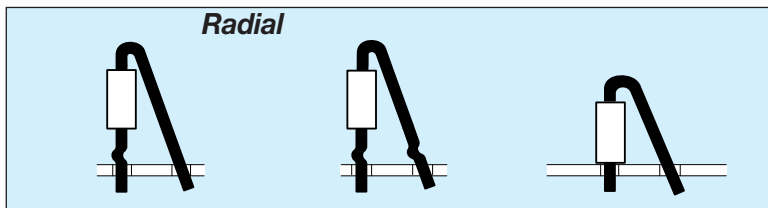
AVX Style		SA10
Length (L)		4.32 (.170")
Diameter (D)		2.54 (.100")
Lead Diameter		.445 (.0175")
Lead Length		25.4 (1.00")
Cap. in μ F	Typical AVX Part Nos.	WVDC 10
1.8	SA10ZD185KAR	
2.7	SA10ZD275KAR	
3.3	SA10ZD335KAR	
4.7	SA10ZD475KAR	

For other tolerances see Part No. Codes
 For other voltages see Part No. Codes
 AVX Style

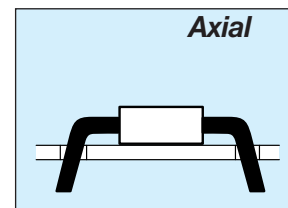
= Industry preferred values

SPECIAL LEAD CONFIGURATIONS

Dimensions — Body dimensions Per Standard SpinGuard Configurations.
 Formed dimensions as shown for types D, E, F, G, H, I, & J configurations.



D Single Crimp E Dual Crimp F No Crimp



G = .300" L.S. I = .500" L.S.
 H = .400" L.S. J = .600" L.S.

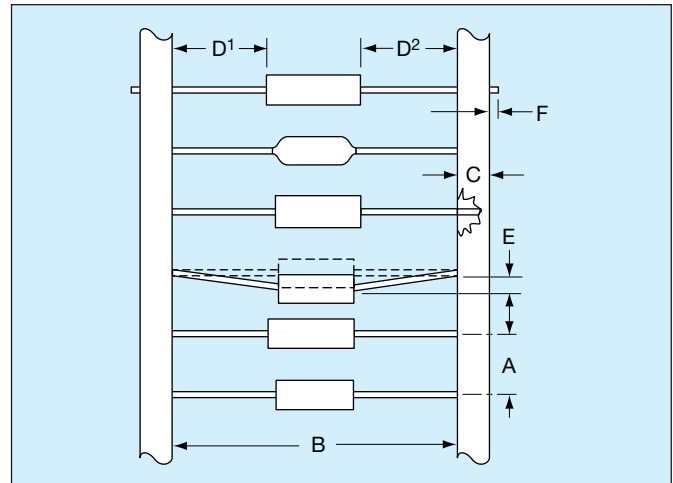
Formed Dimensions:

	LEAD SPACING*	SEATED HEIGHT (Max.)		
		D & E	F	G, H, I & J
SA10	Nom. .2"	.525"	.300"	.100"
SA20	.2"	.570"	.375"	.100"
SA30	.2"	.580"	.425"	.150"
SA40	.2"	.650"	.460"	.150"

*Lead spacing can be varied by user to cover .1"-.3" spacing requirements for F, D, and E styles.

TAPE AND REEL

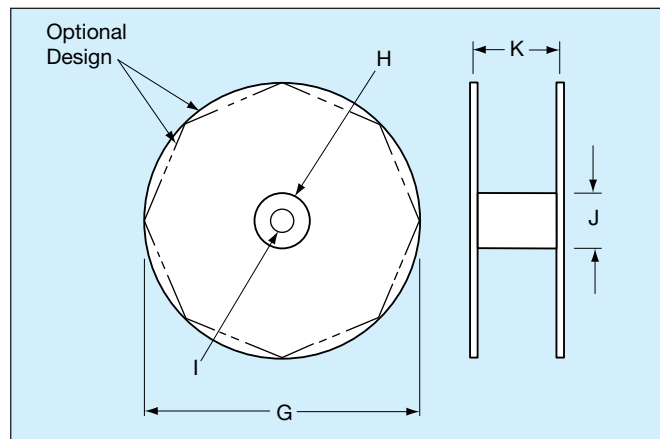
CLASS I / RS-296	
A.	5mm ± 0.5mm (.200" ± 0.020")
B*	52.4mm ± 1.5mm (2.063" ± 0.059")
C.	6.35mm ± 0.4mm (0.250" ± 0.016")
D ¹ -D ² .	1.4mm (0.055" MAX.)
E.	1.2mm (0.047" MAX.)
F.	1.6mm (0.063" MAX.)
G.	356mm (14.00")
H.	76mm (3.000")
I.	25.4mm (1.000")
J.	84mm (3.300")
K.	70mm (2.750")



Leader Tape: 300mm min. (12")

Splicing: Tape Only

Missing Parts: 0.25% of component count max.-
No consecutive missing parts



REEL QUANTITIES (MAX.) ‡

SA05	7,500 pcs.	MA10	5,000 pcs.
SA10	7,500 pcs.	MA20	5,000 pcs.
SA11	5,000 pcs.	MA30	3,000 pcs.
SA20	5,000 pcs.	MA40	3,000 pcs.
SA30	5,000 pcs.	MA50	950 pcs.
SA40	5,000 pcs.	MA60	650 pcs.

‡ 1000 pc. reels available for distribution pack only in ±1% and ±2% tolerance.

* Standard Tape Spacing Shown. Also available in 26.0mm + 1.5mm, - 0mm, (1.023 in. + .059 in. - 0 in.) for SpinGuards only. EIA Class I, II and III tape spacings are available for molded axials. Tape spacing for Class II is 63.5mm ± 1.5mm (2.50 in ± .059 in), and for Class III 73mm ± 1.5mm (2.87 in ± .059 in)

ADDITIONAL PACKAGING AVAILABLE

AMMO PACK

Tape Spacing	SA05, SA10 SA20	SA11 SA30	SA40	BOX SIZES (Nominal)		
				L	W	H
52.4mm ± 1.5mm (2.062" ± .059")	4,000 pcs.	2000	2,000 pcs.	255mm (10.039")	73mm (2.874")	93mm (3.661")
26.0mm + 1.5mm - 0mm (1.023" + .059" - 0")	4,000 pcs.*	2000	2,000 pcs.*	255mm (10.039")	48mm (1.889")	113mm (4.448")

*SpinGuard only

BULK PACK (MOLDED AXIALS ONLY)

MA10 MA20 MA30 MA40	100 pcs. (bag)
MA50 MA60	50 pcs. (bag)

Mouser Electronics

Authorized Distributor

Click to View Pricing, Inventory, Delivery & Lifecycle Information:

Kyocera AVX:

[SA102A300JAA](#) [SA111A152JAA](#) [SA301C683KAA](#) [SA101A221JAA](#) [SA305C105KAA](#) [SA301A222JAA](#)
[SA111C223KAA](#) [SA205A202FAA](#) [SA101A471KAA](#) [SA102A330KAA](#) [SA102A330JAA](#) [SA101C223KAA](#)
[SA102A150JAA](#) [SA205A222FAA](#) [SA101C222MAA](#) [SA102A680JAA](#) [SA101C272KAA](#) [SA205C333KAA](#)
[SA102A220KAA](#) [SA102A220JAA](#) [SA105E104MAA](#) [SA105E104ZAA](#) [SA101C222KAA](#) [SA105E333MAA](#)
[SA405C474KAC](#) [SA115E334MAA](#) [SA301E104ZAA](#) [SA102C471KAA](#) [SA105E104MAA-B](#) [SA101E103MAA](#)
[SA305E105MAA](#) [SA105E103MAA](#) [SA101C103MAA](#) [SA405A822JAA](#) [SA102A270JAA](#) [SA102A390JAA](#)
[SA102A470KAA](#) [SA101A151FAA](#) [SA102A121JAA](#) [SA101A151KAA](#) [SA101A471FAA](#) [SA102A120JAA](#)
[SA051C681KAA](#) [SA102A820JAA](#) [SA102C472KAA](#) [SA105E154MAA](#) [SA305C224KAA](#) [SA105E104MAR](#)
[SA101A101JAA](#) [SA101A181KAA](#) [SA101A391FAA](#) [SA101A821GAA](#) [SA101C182KAA](#) [SA101C392KAA](#)
[SA101E103ZAA](#) [SA101E223MAA](#) [SA102A101JAR](#) [SA102A121KAA](#) [SA102A680KAA](#) [SA102A6R8DAA](#)
[SA102C682JAA](#) [SA105C103JAR](#) [SA105C104KAR](#) [SA105C333MAA](#) [SA105E103MAR](#) [SA111A152GAA](#)
[SA115C104KAC](#) [SA115C104KAR](#) [SA115C473MAA](#) [SA115C563KAA](#) [SA115E334ZAA](#) [SA201A152JAA](#)
[SA201C473MAA](#) [SA201E473MAA](#) [SA205E104ZAA](#) [SA301A392JAA](#) [SA305C224KAR](#) [SA305C334MAA](#)
[SA305E105ZAA](#) [SA305E224MAA](#) [SA405A103FAA](#) [SA405C224KAA](#) [SA115C683KAR](#) [SA105C333KAR](#)
[SA102A220KAR](#) [SA101A151JAR](#) [SA101C682JAR](#) [SA102C471MAR](#) [SA102A180JAR](#) [SA101C222KAR](#)
[SA101A151FAR](#) [SA105E223MAR](#) [SA102A470KAR](#) [SA101C222MAR](#) [SA102A121JAR](#) [SA111C223KAR](#)
[SA102A330KAR](#) [SA205A222FAR](#) [SA102C471KAR](#) [SA101A471KAR](#)