

ORDERING INFORMATION

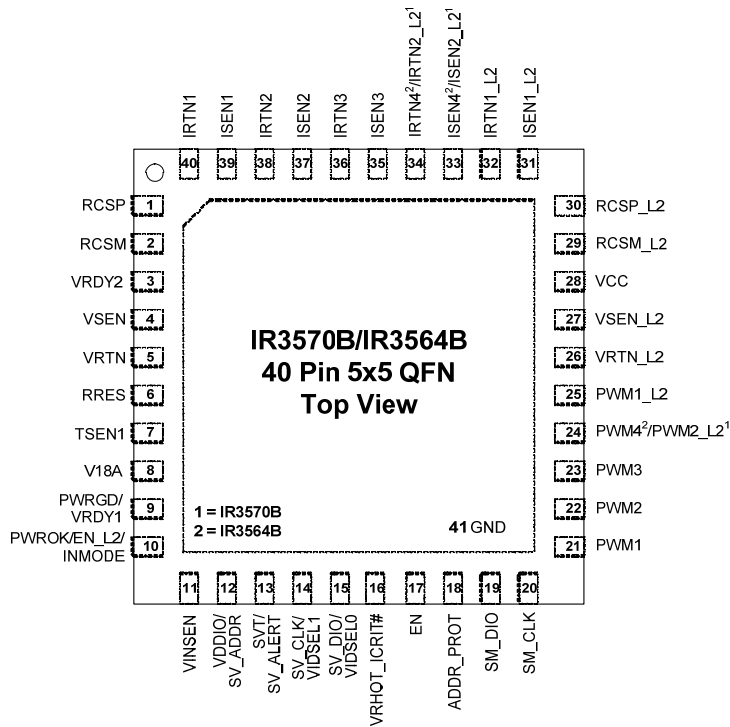
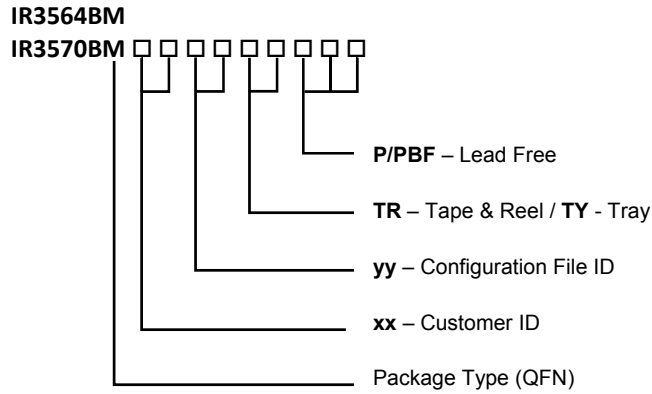


Figure 1: IR3564B/70B Pin Diagram Enlarged

MARKING INFORMATION

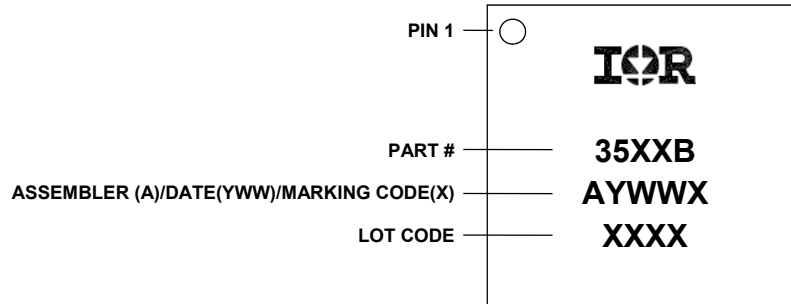


Figure 60: Package Marking

PACKAGE INFORMATION

QFN 5x5mm, 40-pin

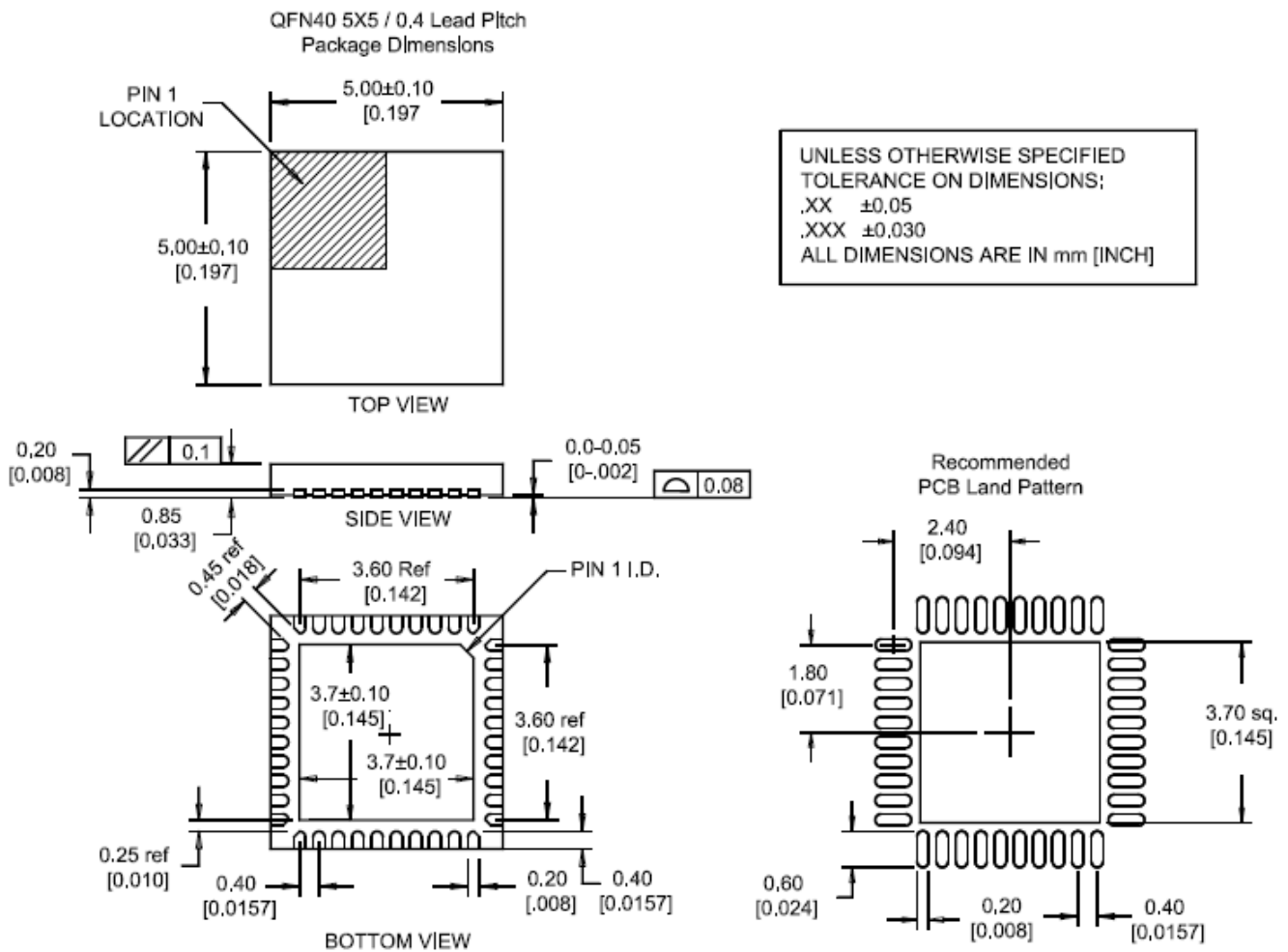


Figure 61: Package Dimensions

Mouser Electronics

Authorized Distributor

Click to View Pricing, Inventory, Delivery & Lifecycle Information:

[Infineon:](#)

[IR3570BMTRPBF](#) [IR3564BMTRPBF](#)