

### Electrical Performance

| Parameter                       | Min.                | Typ. | Max.                | Units        | Notes                          |
|---------------------------------|---------------------|------|---------------------|--------------|--------------------------------|
| Output Frequency                | 1                   |      | 166                 | MHz          | As specified                   |
| Supply Voltage                  | +2.97               | +3.3 | +3.63               | V            |                                |
| Supply Current, Output Enabled  |                     |      | 15                  | mA           | 1 to 32 MHz                    |
|                                 |                     |      | 25                  |              | 32 to 50 MHz                   |
|                                 |                     |      | 40                  |              | 50 to 80 MHz                   |
|                                 |                     |      | 55                  |              | 80 to 166 MHz                  |
| Supply Current, Standby Mode    |                     |      | 10                  | μA           | 1 to 36 MHz, 100 to 166 MHz    |
|                                 |                     |      | 100                 | μA           | 36 to 70 MHz                   |
| Frequency Stability             |                     |      | ±20 to ±50          | ppm          | See Note 1 below               |
| Operating Temperature Range     | -20                 |      | +70                 | °C           | Commercial (standard)          |
|                                 | -40                 |      | +85                 |              | Industrial (standard)          |
| Output Logic 0, V <sub>OL</sub> |                     |      | 10% V <sub>DD</sub> | V            |                                |
| Output Logic 1, V <sub>OH</sub> | 90% V <sub>DD</sub> |      |                     | V            |                                |
| Output Load                     |                     |      | 15                  | pF           |                                |
| Duty Cycle                      | 45                  |      | 55                  | %            | Measured 50% V <sub>DD</sub>   |
| Rise and Fall Time              | up to 50 MHz        |      | 7                   | ns           | Measured 20/80% of waveform    |
|                                 | 50 to 80 MHz        |      | 5                   |              |                                |
|                                 | 80 to 124 MHz       |      | 3                   |              |                                |
|                                 | 125 to 166 MHz      |      | 2.5                 |              |                                |
| Jitter, Phase                   | 1 to 166 MHz        |      | 1                   | ps RMS (1-σ) | 10kHz to 20 MHz frequency band |
| Jitter, Accumulated             | up to 80 MHz        |      | 5                   | ps RMS (1-σ) | 20.000 adjacent periods        |
|                                 | 80 to 166 MHz       |      | 3                   |              |                                |
| Jitter, Total                   | up to 80 MHz        |      | 50                  | ps pk-pk     | 100.000 random periods         |
|                                 | 80 to 166 MHz       |      | 30                  |              |                                |

#### Notes:

- Stability includes all combinations of operating temperature, load changes, rated input (supply) voltage changes, initial calibration tolerance (25°C), aging (1 year at 25°C average effective ambient temperature), shock and vibration.
- For specifications other than those listed, please contact sales.

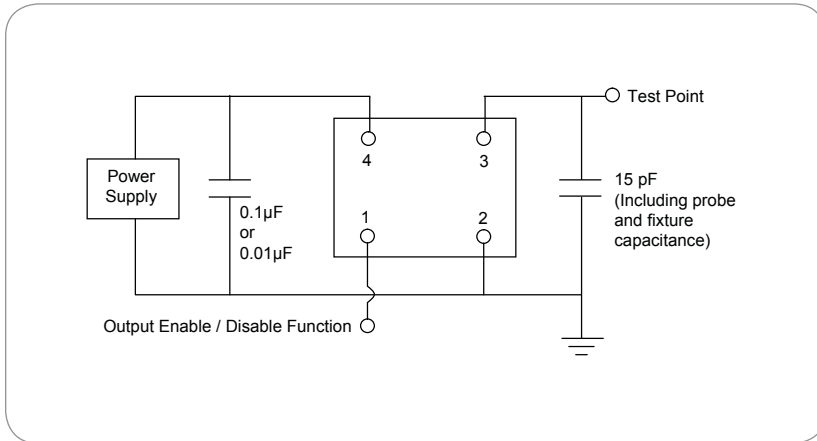
### Output Enable / Disable Function

| Parameter   | Min. | Typ. | Max. | Units | Notes          |
|---|------|------|------|-------|----------------|
| Input Voltage (pin 1), Output Enable                      | 2.0  |      |      | V     | or open        |
| Input Voltage (pin 1), Output Disable (low power standby) |      |      | 0.5  | V     | Output is Hi-Z |
| Internal Pullup Resistance                                | 50   |      |      | kΩ    |                |
| Output Disable Delay                                      |      |      | 100  | ns    |                |
| Output Enable Delay                                       |      |      | 10   | ms    |                |

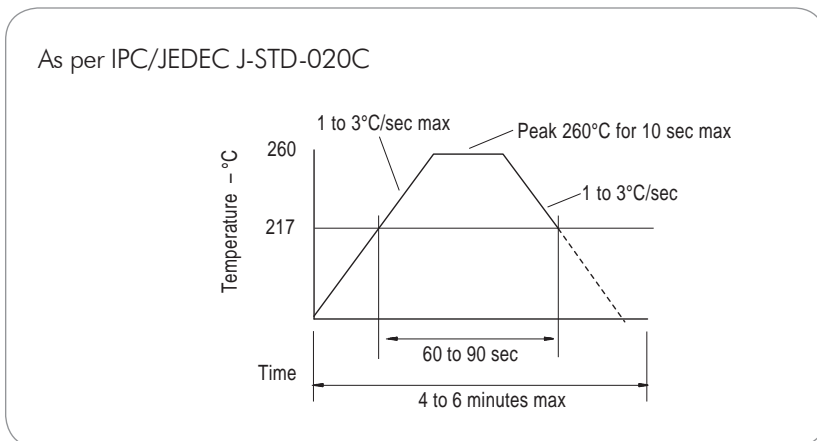
### Absolute Maximum Ratings

| Parameter           | Min. | Typ. | Max. | Units | Notes |
|---------------------|------|------|------|-------|-------|
| Storage Temperature | -55  |      | +125 | °C    |       |

## Test Circuit



## Reflow Soldering Profile



## Reliability Test Ratings

This product is rated to meet the following test conditions:

| Type          | Parameter                    | Test Condition  |
|---------------|------------------------------|---|
| Mechanical    | Shock                        | MIL-STD-883, Method 2002, Condition B                                       |
| Mechanical    | Solderability                | JESD22-B102-D Method 2 (Preconditioning E)                                  |
| Mechanical    | Terminal strength            | MIL-STD-883, Method 2004, Condition D                                       |
| Mechanical    | Gross leak                   | MIL-STD-883, Method 1014, Condition C                                       |
| Mechanical    | Fine leak                    | MIL-STD-883, Method 1014, Condition A2 ( $R_1 = 2 \times 10^{-8}$ atm cc/s) |
| Mechanical    | Solvent resistance           | MIL-STD-202, Method 215   |
| Environmental | Thermal shock                | MIL-STD-883, Method 1011, Condition A                                       |
| Environmental | Moisture resistance          | MIL-STD-883, Method 1004  |
| Environmental | Vibration                    | MIL-STD-883, Method 2007, Condition A                                       |
| Environmental | Resistance to soldering heat | J-STD-020C Table 5-2 Pb-free devices (2 cycles max)                         |

# Mouser Electronics

Authorized Distributor

Click to View Pricing, Inventory, Delivery & Lifecycle Information:

## Diodes Incorporated:

[FN6660080](#) [FN1000057](#) [FN3000036](#) [S1613E-20.0000\(T\)](#) [FN3330073](#) [S1613B-75.0000\(T\)](#) [FNA000074](#)  
[FN6250029](#) [FN0200047](#) [S1613B-25.0000](#) [S1613E-66.0000](#) [FN6660081](#) [S1613B-50.0000\(T\)](#) [FNA000068](#)  
[FN0640004](#) [FN2000118](#) [FN0800032](#) [FN2500171](#) [FN2000115](#) [FN0100007](#)