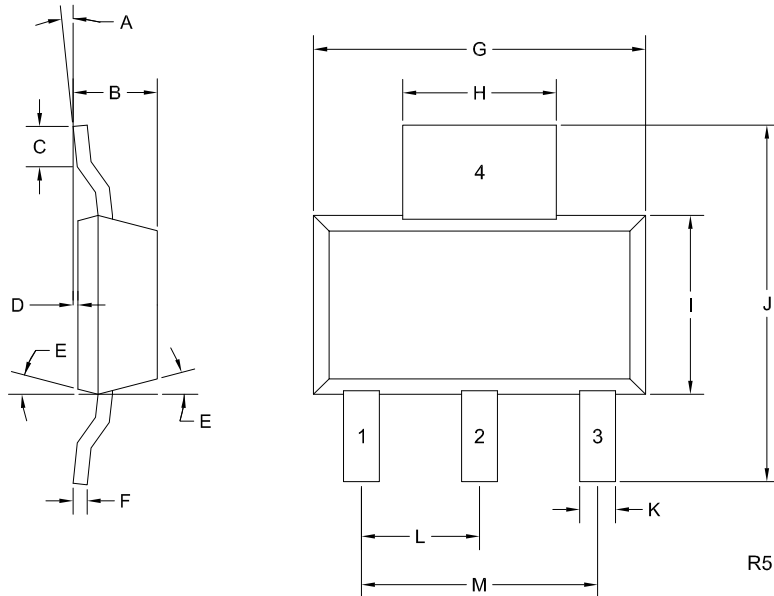


CZTA42 NPN
CZTA92 PNP

SURFACE MOUNT SILICON
COMPLEMENTARY
HIGH VOLTAGE TRANSISTORS



SOT-223 CASE - MECHANICAL OUTLINE



LEAD CODE:

- 1) Base
- 2) Collector
- 3) Emitter
- 4) Collector

MARKING:

FULL PART NUMBER

| SYMBOL | INCHES | | MILLIMETERS | |
|--------|--------|-------|-------------|------|
| | MIN | MAX | MIN | MAX |
| A | 0° | 10° | 0° | 10° |
| B | 0.059 | 0.071 | 1.50 | 1.80 |
| C | 0.018 | --- | 0.45 | --- |
| D | 0.000 | 0.004 | 0.00 | 0.10 |
| E | 10° | | 10° | |
| F | 0.009 | 0.014 | 0.23 | 0.35 |
| G | 0.248 | 0.270 | 6.30 | 6.85 |
| H | 0.114 | 0.122 | 2.90 | 3.10 |
| I | 0.130 | 0.146 | 3.30 | 3.70 |
| J | 0.264 | 0.287 | 6.70 | 7.30 |
| K | 0.024 | 0.033 | 0.60 | 0.85 |
| L | 0.091 | | 2.30 | |
| M | 0.181 | | 4.60 | |

SOT-223 (REV: R5)

R5 (7-May 2019)

OUTSTANDING SUPPORT AND SUPERIOR SERVICES



PRODUCT SUPPORT

Central's operations team provides the highest level of support to insure product is delivered on-time.

- Supply management (Customer portals)
- Inventory bonding
- Consolidated shipping options
- Custom bar coding for shipments
- Custom product packing

DESIGNER SUPPORT/SERVICES

Central's applications engineering team is ready to discuss your design challenges. Just ask.

- Free quick ship samples (2nd day air)
- Online technical data and parametric search
- SPICE models
- Custom electrical curves
- Environmental regulation compliance
- Customer specific screening
- Up-screening capabilities
- Special wafer diffusions
- PbSn plating options
- Package details
- Application notes
- Application and design sample kits
- Custom product and package development

REQUESTING PRODUCT PLATING

1. If requesting Tin/Lead plated devices, add the suffix " TIN/LEAD" to the part number when ordering (example: 2N2222A TIN/LEAD).
2. If requesting Lead (Pb) Free plated devices, add the suffix " PBFREE" to the part number when ordering (example: 2N2222A PBFREE).

CONTACT US

Corporate Headquarters & Customer Support Team

Central Semiconductor Corp.
145 Adams Avenue
Hauppauge, NY 11788 USA
Main Tel: (631) 435-1110
Main Fax: (631) 435-1824
Support Team Fax: (631) 435-3388
www.centrasemi.com

Worldwide Field Representatives:
www.centrasemi.com/wwreps

Worldwide Distributors:
www.centrasemi.com/wwdistributors

For the latest version of Central Semiconductor's **LIMITATIONS AND DAMAGES DISCLAIMER**, which is part of Central's Standard Terms and Conditions of sale, visit: www.centrasemi.com/terms