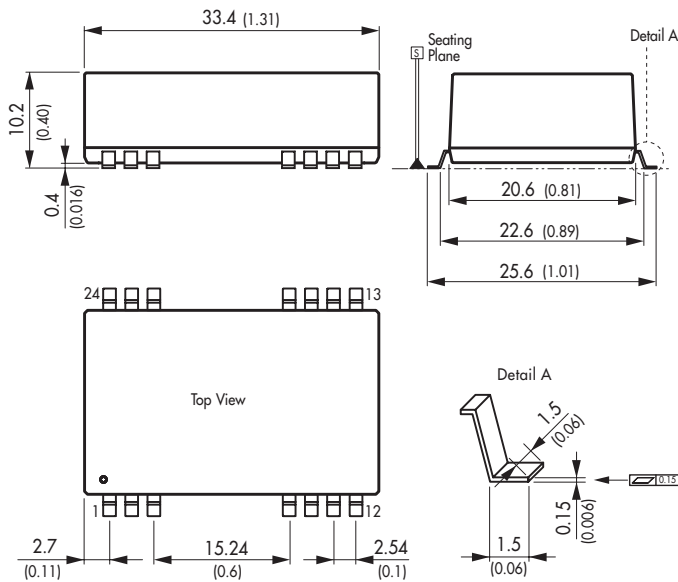


Physical Specifications

Casing material	non conductive plastic (UL 94V-0 rated)
Package weight	14 g (0.49 oz)
Moisture sensivity level (MSL)	level 2 as per J-STD-020D.1 (to find at: www.jedec.org - free registration required)
Environmental compliance	- Reach - RoHS www.tracopower.com/info/reach-declaration.pdf RoHS directive 2011/65/EU

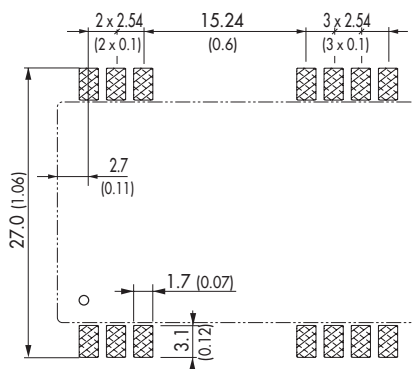
Supporting documents: www.tracopower.com/overview/tes5wi

Outline Dimensions



Pin-Out		
Pin	Single	Dual
1	Remote On/Off	Remote On/Off
2	-Vin (GND)	-Vin (GND)
3	-Vin (GND)	-Vin (GND)
9	No con.	Common
10	No con.	No con.
11	No con.	-Vout
12	No con.	No con.
13	No con.	No con.
14	+Vout	+Vout
15	No con.	No con.
16	-Vout	Common
22	+Vin (Vcc)	+Vin (Vcc)
23	+Vin (Vcc)	+Vin (Vcc)
24	No con.	No con.

Pin Patterns:



Dimensions in [mm], () = Inch
Tolerances ± 0.25 (± 0.02)
Pin pitch tolerances ± 0.13 (± 0.005)

Specifications can be changed without notice! Make sure you are using the latest documentation, downloadable at www.tracopower.com

Mouser Electronics

Authorized Distributor

Click to View Pricing, Inventory, Delivery & Lifecycle Information:

TRACO Power:

[TES 5-2412WI](#) [TES 5-2421WI](#) [TES 5-2423WI](#) [TES 5-4811WI](#) [TES 5-2411WI](#) [TES 5-4810WI](#) [TES 5-4812WI](#) [TES 5-2413WI](#) [TES 5-4822WI](#) [TES 5-4813WI](#) [TES 5-2410WI](#) [TES 5-4823WI](#) [TES 5-4821WI](#) [TES 5-2422WI](#)