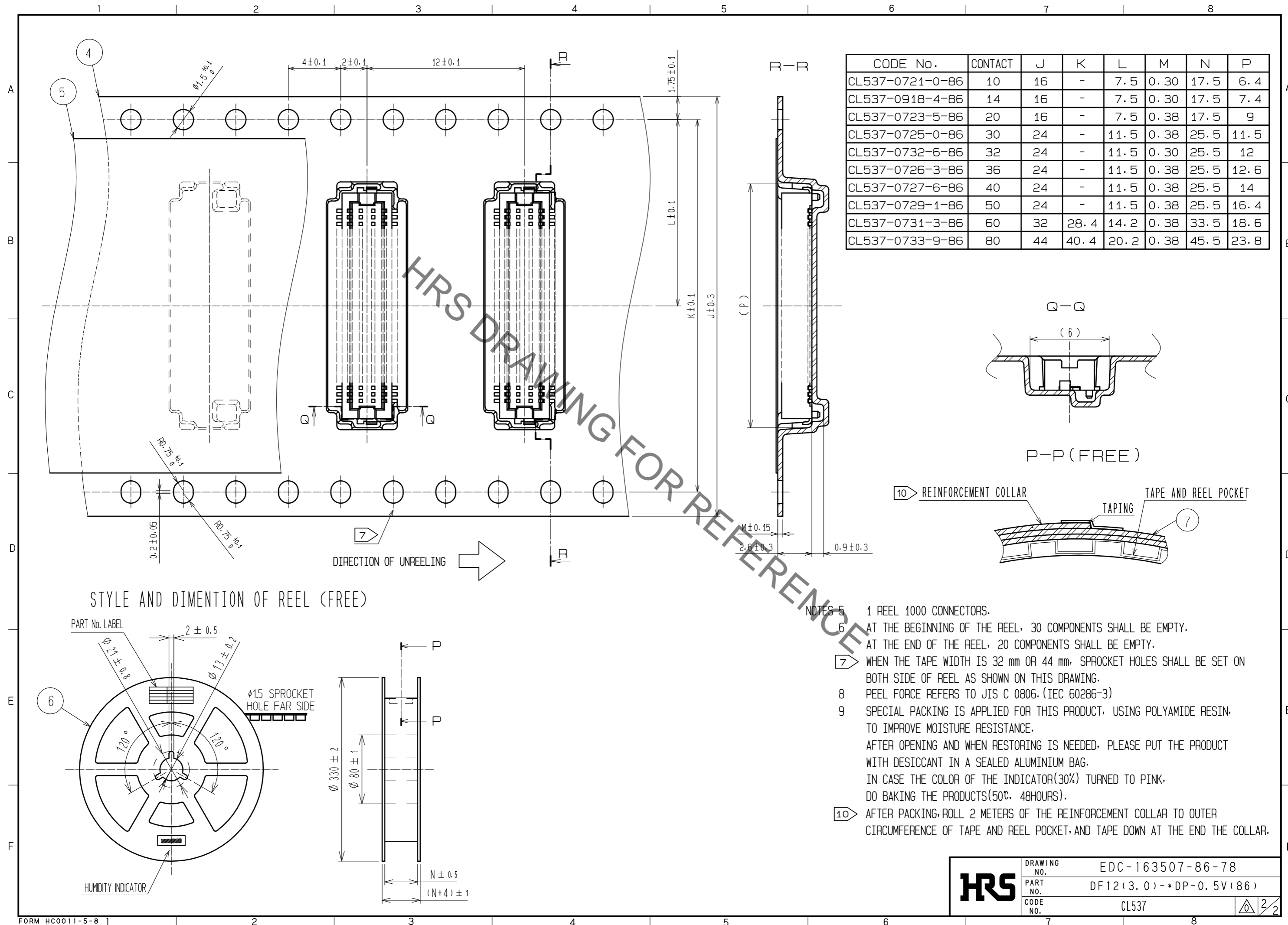
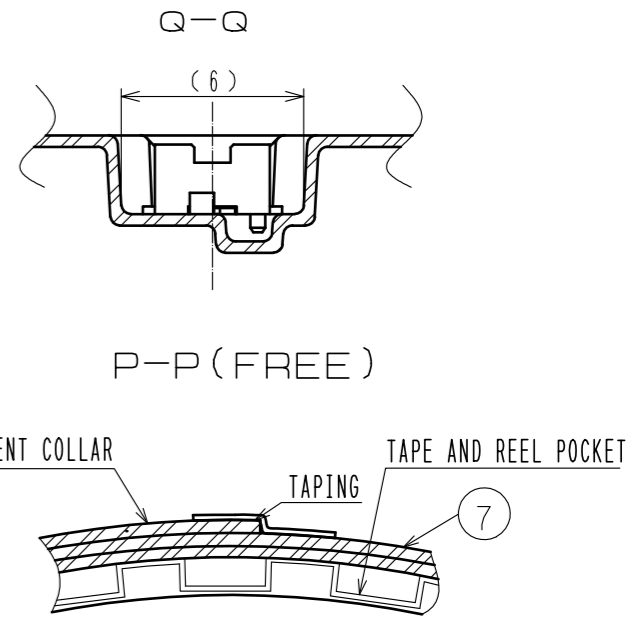


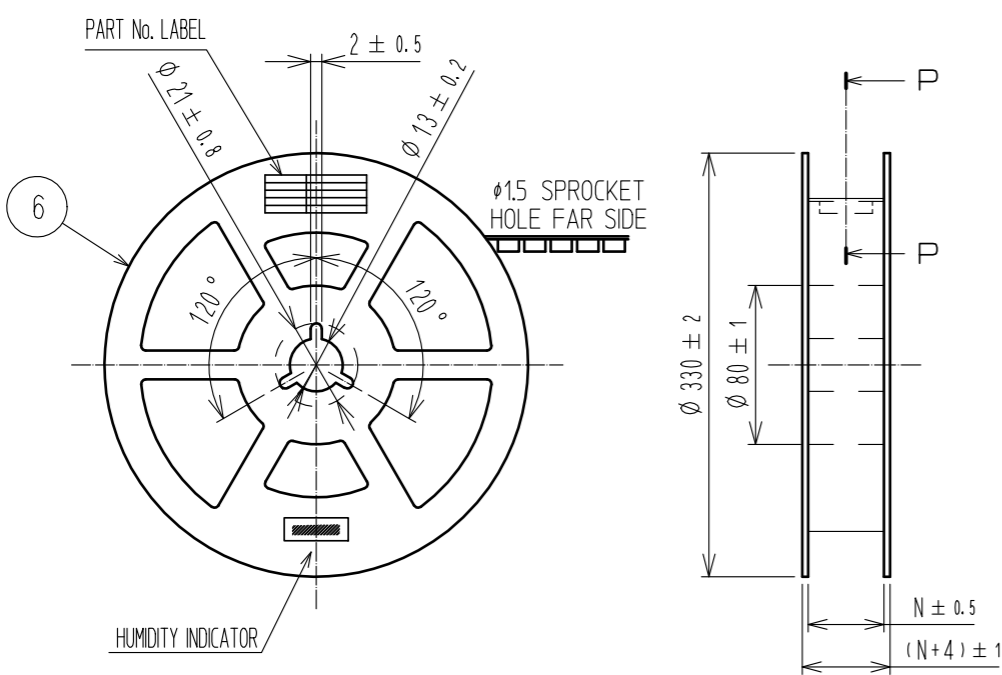
Jul.1.2020 Copyright 2020 HIROSE ELECTRIC CO., LTD. All Rights Reserved.
 In case of consideration for using Automotive equipment / device which demand high reliability, kindly contact our sales window correspondents.



| CODE No. | CONTACT | J | K | L | M | N | P |
|-----------------|---------|----|------|------|------|------|------|
| CL537-0721-0-86 | 10 | 16 | - | 7.5 | 0.30 | 17.5 | 6.4 |
| CL537-0918-4-86 | 14 | 16 | - | 7.5 | 0.30 | 17.5 | 7.4 |
| CL537-0723-5-86 | 20 | 16 | - | 7.5 | 0.38 | 17.5 | 9 |
| CL537-0725-0-86 | 30 | 24 | - | 11.5 | 0.38 | 25.5 | 11.5 |
| CL537-0732-6-86 | 32 | 24 | - | 11.5 | 0.30 | 25.5 | 12 |
| CL537-0726-3-86 | 36 | 24 | - | 11.5 | 0.38 | 25.5 | 12.6 |
| CL537-0727-6-86 | 40 | 24 | - | 11.5 | 0.38 | 25.5 | 14 |
| CL537-0729-1-86 | 50 | 24 | - | 11.5 | 0.38 | 25.5 | 16.4 |
| CL537-0731-3-86 | 60 | 32 | 28.4 | 14.2 | 0.38 | 33.5 | 18.6 |
| CL537-0733-9-86 | 80 | 44 | 40.4 | 20.2 | 0.38 | 45.5 | 23.8 |



STYLE AND DIMENTION OF REEL (FREE)



- NOTES
- 5 1 REEL 1000 CONNECTORS.
 - 6 AT THE BEGINNING OF THE REEL, 30 COMPONENTS SHALL BE EMPTY.
AT THE END OF THE REEL, 20 COMPONENTS SHALL BE EMPTY.
 - 7 WHEN THE TAPE WIDTH IS 32 mm OR 44 mm, SPROCKET HOLES SHALL BE SET ON BOTH SIDE OF REEL AS SHOWN ON THIS DRAWING.
 - 8 PEEL FORCE REFERS TO JIS C 0806. (IEC 60286-3)
 - 9 SPECIAL PACKING IS APPLIED FOR THIS PRODUCT, USING POLYAMIDE RESIN, TO IMPROVE MOISTURE RESISTANCE.
AFTER OPENING AND WHEN RESTORING IS NEEDED, PLEASE PUT THE PRODUCT WITH DESICCANT IN A SEALED ALUMINIUM BAG.
IN CASE THE COLOR OF THE INDICATOR(30%) TURNED TO PINK, DO BAKING THE PRODUCTS(50°C, 48HOURS).
 - 10 AFTER PACKING, ROLL 2 METERS OF THE REINFORCEMENT COLLAR TO OUTER CIRCUMFERENCE OF TAPE AND REEL POCKET, AND TAPE DOWN AT THE END THE COLLAR.

| | | |
|------------|-------------|------------------------|
| HRS | DRAWING NO. | EDC-163507-86-78 |
| | PART NO. | DF12(3.0)-*DP-0.5V(86) |
| | CODE NO. | CL537 |

Mouser Electronics

Authorized Distributor

Click to View Pricing, Inventory, Delivery & Lifecycle Information:

[Hirose Electric:](#)

[DF12\(3.0\)-10DP-0.5V\(86\)](#)