

NEW

ILS Series Integrated LED Tact Switch

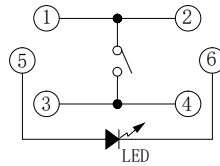
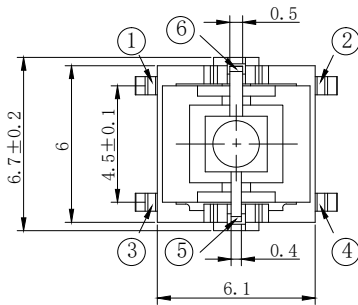
LED CHARACTERISTICS

STANDARD LED COLOR OPTIONS

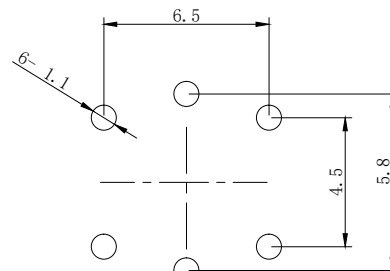
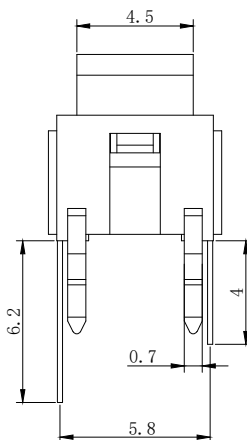
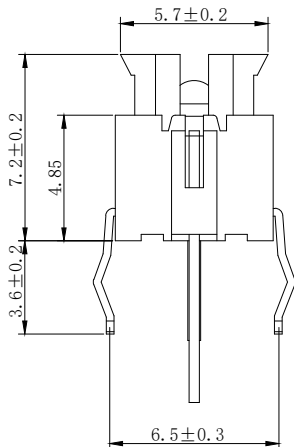
LED Parameter	Symbol	Condition	UNITS	RED 10	YELLOW/GREEN 30	BLUE 40	WHITE 50	GREEN 60
Power Dissipation	Pd	-	mW	52	60	120	18	120
Forward Current	IF	-	mA	20	20	30	5	30
Peak Forward Current *1	IFP	-	mA	100	100	100	100	100
Reverse Voltage	VR	-	V	5	5	5	5	5
Operating Temperature	To _{pr}	-	-	-40°C to 85°C	-40°C to 85°C	-40°C to 85°C	-40°C to 85°C	-40°C to 85°C
Storage Temperature	T _{stg}	-	-	-40°C to 85°C	-40°C to 85°C	-40°C to 85°C	-40°C to 85°C	-40°C to 85°C
Forward Voltage	V _f	F=5mA	V	2.6 max.	2.3 max.	3.2 max.	3.6 max.	3.4 max.
Luminous Intensity	I _v	F=5mA	mcd	140 min.	100 min.	63 min.	94 min.	1000 min.
Reverse Current	I _R	F=5mA	μA	100 max.	-	-	1 max.	-
Peak Wave Length	λ _p	F=5mA	nm	644	570	460	-	521.5
Dominant Wave Length	λ _d	F=5mA	nm	620 min.	567-573	465-470	-	515-525
Spectral Line Half-width	Δλ	F=5mA	nm	20	30	30	-	30
Viewing Angle	2θ1/2	F=5mA	deg	35	35	35	35	35

STYLES

TA



CIRCUIT DIAGRAM



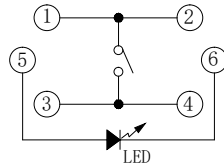
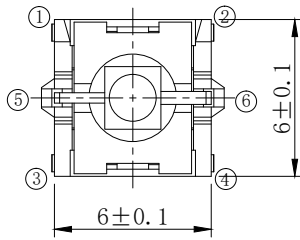
P.C.B LAND DIMENSION

ILS Series Integrated LED Tact Switch

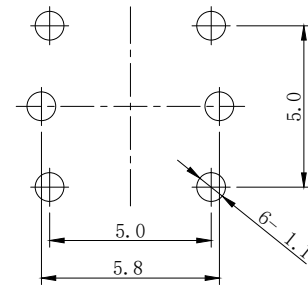
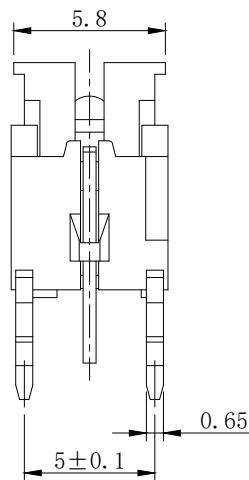
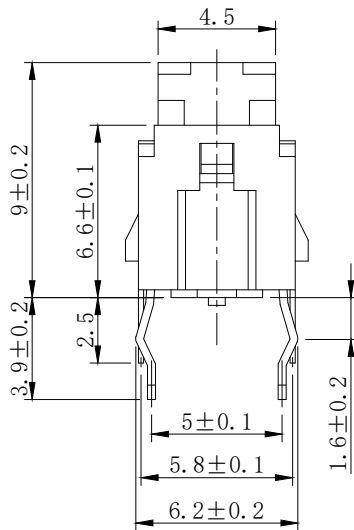
NEW

STYLES

TB

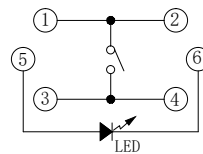
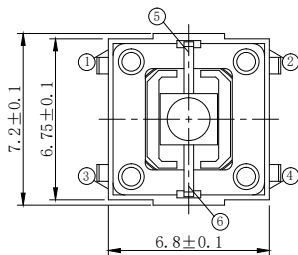


CIRCUIT DIAGRAM

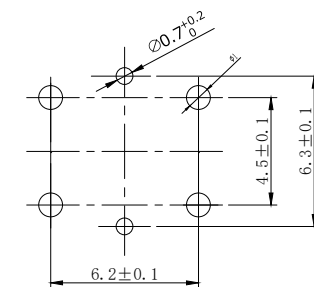
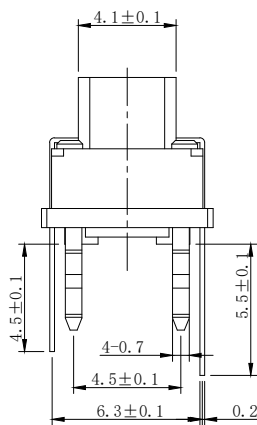
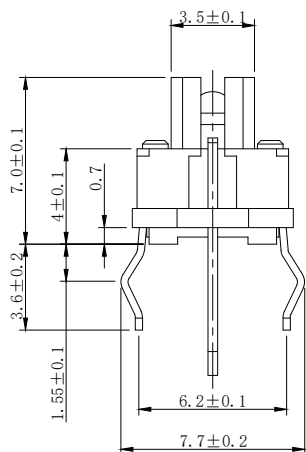


P.C.B LAND DIMENSION

TC



CIRCUIT DIAGRAM



P.C.B LAND DIMENSION



NEW

ILS Series Integrated LED Tact Switch

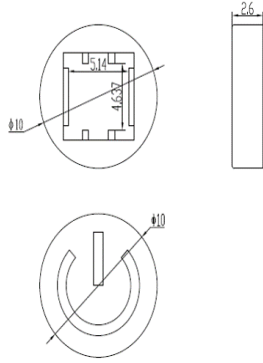
CAPS

Tactile Switches

B

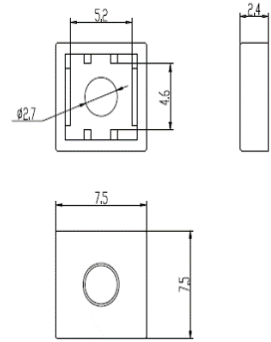
ILSCAPR0690-10

Round cap, grey with power logo



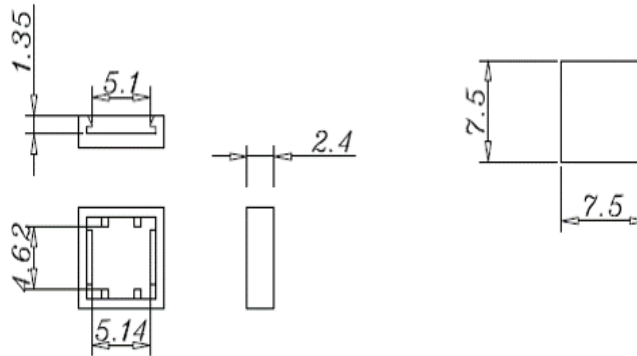
ILSCAPS757501

Square cap with hole



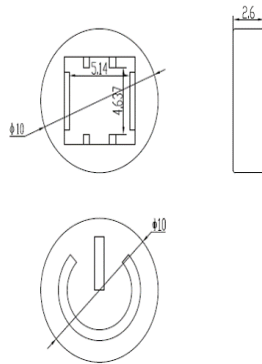
ILSCAPS757502 (Nature) ILSCAPS757503 (Grey)

Square cap without hole



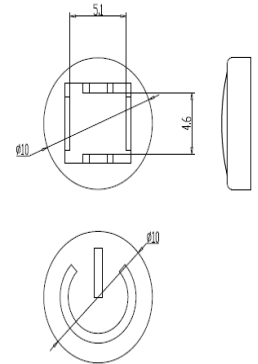
ILSCAPR0690-10B

Round cap, black with power logo



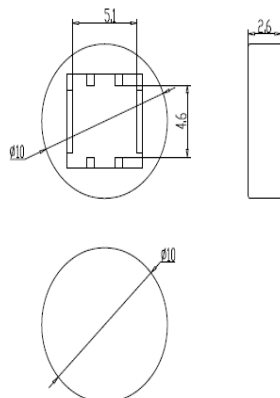
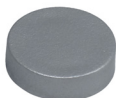
ILSCAPR0690

Round cap, grey with power logo



ILSCAPR0691

Round cap, without power logo



Mouser Electronics

Authorized Distributor

Click to View Pricing, Inventory, Delivery & Lifecycle Information:

C&K Switches:

[ILS TB250 30](#) [ILS TC250 60](#) [ILS TA180 50](#) [ILS TB250 40](#) [ILS TA180 30](#) [ILS TB250 50](#) [ILS TB180 60](#) [ILS TB180 50](#) [ILS TC250 30](#) [ILS TA250 30](#) [ILS TC250 50](#) [ILS TB180 10](#) [ILS TC180 40](#) [ILS TB180 30](#) [ILS TC250 40](#) [ILS TC180 60](#) [ILS TA250 60](#) [ILS TC180 30](#) [ILS TB250 60](#) [ILS TA180 40](#) [ILS TC180 10](#) [ILS TA180 10](#) [ILS TC180 50](#) [ILS TC250 10](#) [ILS TB180 40](#) [ILS TA180 60](#) [ILS TA250 10](#) [ILS TB250 10](#) [ILS TA250 50](#) [ILS TA250 40](#)