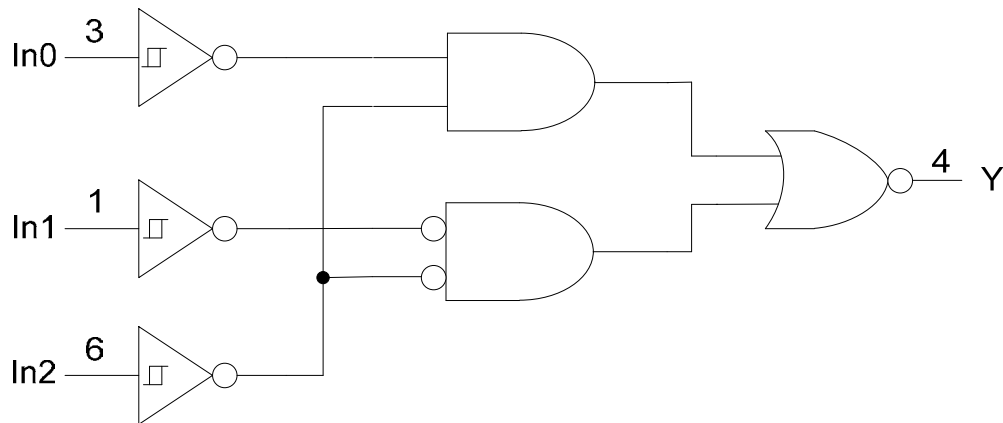


Pin Descriptions

Pin Name	Function
IN1	Data Input
GND	Ground
IN0	Data Input
Y	Data Output
V _{CC}	Supply Voltage
IN2	Data Input

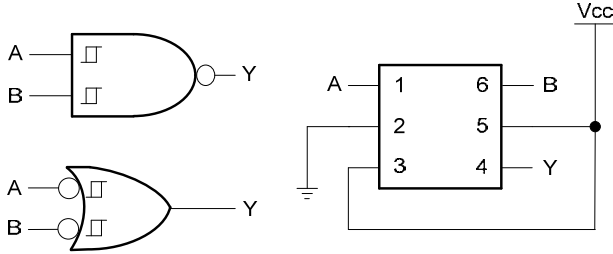
Logic Diagram



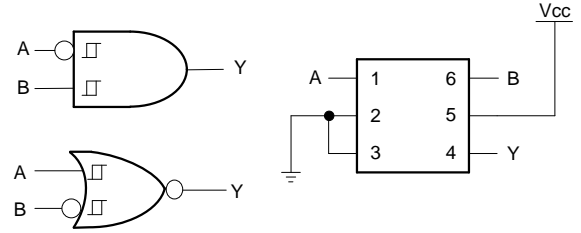
Function Table

Inputs			Output
IN2	IN1	IN0	Y
L	L	L	L
L	L	H	H
L	H	L	L
L	H	H	H
H	L	L	H
H	L	H	H
H	H	L	L
H	H	H	L

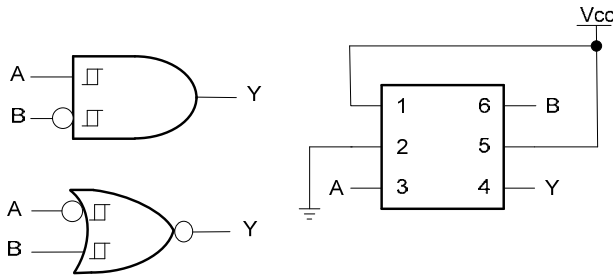
Logic Configurations



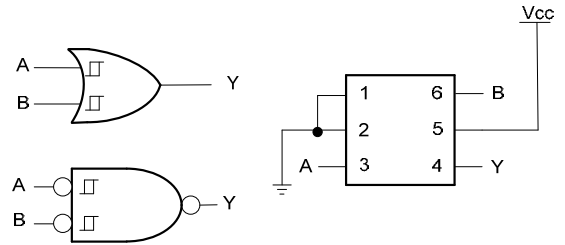
Configuration 1
2-Input NAND Gate
2-Input OR Gate with Both Inputs Inverted



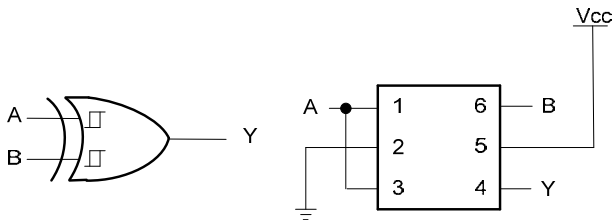
Configuration 2
2-Input AND Gate with A Input Inverted
2-Input NOR Gate with B Input Inverted



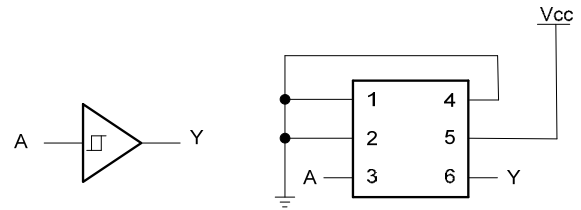
Configuration 3
2-Input AND Gate with B Input Inverted
2-Input NOR Gate with A Input Inverted



Configuration 4
2-Input OR Gate
2-Input NAND Gate with Both Inputs Inverted



Configuration 5
2-Input XOR Gate



Configuration 6
Buffer

Function Selection Table	
Logic Function	Configuration
2-input NAND	1
2-input NAND with both inputs inverted	4
2-input AND with inverted input	2, 3
2-input NOR with inverted input	2, 3
2-input OR	4
2-input OR with both inputs inverted	1
2-input XOR	5
1-input Buffer	6

Absolute Maximum Ratings (Note 4)

Symbol	Description	Rating	Unit
ESD HBM	Human Body Model ESD Protection	2	KV
ESD MM	Machine Model ESD Protection	200	V
V _{CC}	Supply Voltage Range	-0.5 to 6.5	V
V _I	Input Voltage Range	-0.5 to 6.5	V
V _O	Voltage applied to output in high impedance or I _{OFF} state	-0.5 to 6.5	V
V _O	Voltage applied to output in high or low state	-0.3 to V _{CC} +0.5	V
I _{IK}	Input Clamp Current V _I < 0	-50	mA
I _{OK}	Output Clamp Current	-50	mA
I _O	Continuous output current	±50	mA
	Continuous current through V _{DD} or GND	±100	mA
T _J	Operating Junction Temperature	-40 to +150	°C
T _{STG}	Storage Temperature	-65 to +150	°C

Notes: 4. Stresses beyond the absolute maximum may result in immediate failure or reduced reliability. These are stress values and device operation should be within recommend values.

Recommended Operating Conditions (Note 5)

Symbol	Parameter	Min	Max	Unit	
V _{CC}	Operating Voltage	Operating	1.65	5.5	V
		Data retention only	1.5		V
V _I	Input Voltage	0	5.5	V	
V _O	Output Voltage	0	V _{CC}	V	
I _{OH}	High-level output current	V _{CC} = 1.65V		-4	mA
		V _{CC} = 2.3V		-8	
		V _{CC} = 3V		-16	
		V _{CC} = 4.5V		-24	
I _{OL}	Low-level output current	V _{CC} = 1.65V		4	mA
		V _{CC} = 2.3V		8	
		V _{CC} = 3V		16	
		V _{CC} = 4.5V		24	
Δt/ΔV	Input transition rise or fall rate	V _{CC} = 1.8V ± 0.15V, 2.5V ± 0.2V		20	ns/V
		V _{CC} = 3.3V ± 0.3V		10	
		V _{CC} = 5V ± 0.5V		5	
T _A	Operating free-air temperature	-40	+125	°C	

Notes: 5. Unused inputs should be held at V_{CC} or Ground.

Electrical Characteristics $T_A = -40^\circ\text{C}$ to $+85^\circ\text{C}$ (All typical values are at $V_{CC} = 3.3\text{V}$, $T_A = +25^\circ\text{C}$)

Symbol	Parameter	Test Conditions	V_{CC}	Min	Typ	Max	Unit
V_{T+}	Positive-going input threshold voltage		1.65V	0.70		1.20	
			2.3V	1.11		1.60	
			3V	1.50		2.00	
			4.5V	2.16		2.74	
			5.5V	2.61		3.33	
V_{T-}	Negative-going input threshold voltage		1.65V	0.30		0.72	
			2.3V	0.58		1.00	
			3V	0.80		1.30	
			4.5V	1.21		1.95	
			5.5V	1.45		2.35	
ΔV_T	Hysteresis ($V_{T+} - V_{T-}$)		1.65V	0.30		0.62	
			2.3V	0.40		0.80	
			3V	0.35		1.00	
			4.5V	0.55		1.10	
			5.5V	0.60		1.20	
V_{OH}	High Level Output Voltage	$I_{OH} = -100\mu\text{A}$	1.65V to 5.5V	$V_{CC} - 0.1$			V
		$I_{OH} = -4\text{mA}$	1.65V	1.2			
		$I_{OH} = -8\text{mA}$	2.3V	1.9			
		$I_{OH} = -16\text{mA}$	3V	2.4			
		$I_{OH} = -24\text{mA}$		2.3			
		$I_{OH} = -32\text{mA}$	4.5V	3.8			
V_{OL}	High-level Input Voltage	$I_{OL} = 100\mu\text{A}$	1.65V to 5.5V			0.1	V
		$I_{OL} = 4\text{mA}$	1.65V			0.45	
		$I_{OL} = 8\text{mA}$	2.3V			0.3	
		$I_{OL} = 16\text{mA}$	3V			0.4	
		$I_{OL} = 24\text{mA}$				0.55	
		$I_{OL} = 32\text{mA}$	4.5			0.55	
I_I	Input Current	$V_I = 5.5\text{V}$ or GND	0 to 5.5V			± 5	μA
I_{OFF}	Power Down Leakage Current	V_I or $V_O = 5.5\text{V}$	0			± 10	μA
I_{CC}	Supply Current	$V_I = 5.5\text{V}$ of GND $I_O = 0$	1.65V to 5.5V			10	μA
ΔI_{CC}	Additional Supply Current	One input at $V_{CC} - 0.6\text{V}$ Other inputs at V_{CC} or GND	3V to 5.5V			500	μA

Electrical Characteristics $T_A = -40^{\circ}\text{C}$ to $+125^{\circ}\text{C}$ (All typical values are at $V_{CC} = 3.3\text{V}$, $T_A = +25^{\circ}\text{C}$)

Symbol	Parameter	Test Conditions	V _{CC}	Min	Typ	Max	Unit
V _{T+}	Positive-going input threshold voltage		1.65V	0.70		1.20	
			2.3V	1.11		1.60	
			3V	1.50		2.00	
			4.5V	2.16		2.74	
			5.5V	2.61		3.33	
V _{T-}	Negative-going input threshold voltage		1.65V	0.30		0.75	
			2.3V	0.58		1.03	
			3V	0.80		1.33	
			4.5V	1.21		1.95	
			5.5V	1.45		2.35	
ΔV _T	Hysteresis (V _{T+} - V _{T-})		1.65V	0.30		0.62	
			2.3V	0.37		0.80	
			3V	0.32		1.00	
			4.5V	0.50		1.20	
			5.5V	0.55		1.40	
V _{OH}	High Level Output Voltage	I _{OH} = -100μA	1.65V to 5.5V	V _{CC} -0.1			V
		I _{OH} = -4mA	1.65V	0.95			
		I _{OH} = -8mA	2.3V	1.7			
		I _{OH} = -16mA	3V	1.9			
		I _{OH} = -24mA		2.0			
		I _{OH} = -32mA	4.5V	3.4			
V _{OL}	High-level Input Voltage	I _{OL} = 100μA	1.65V to 5.5V			0.1	V
		I _{OL} = 4mA	1.65V			0.7	
		I _{OL} = 8mA	2.3V			0.45	
		I _{OL} = 16mA	3V			0.6	
		I _{OL} = 24mA				0.8	
		I _{OL} = 32mA	4.5			0.8	
I _I	Input Current	V _I = 5.5V or GND	0 to 5.5V			± 100	μA
I _{OFF}	Power Down Leakage Current	V _I or V _O = 5.5V	0			± 200	μA
I _{CC}	Supply Current	V _I = 5.5V of GND I _O =0	1.65V to 5.5V			200	μA
ΔI _{CC}	Additional Supply Current	One input at V _{CC} -0.6V Other inputs at V _{CC} or GND	3V to 5.5V			5000	μA

Electrical Characteristics (All typical values are at $V_{CC} = 3.3V$, $T_A = +25^\circ C$)

Symbol	Parameter	Test Conditions	V_{CC}	Min	Typ	Max	Unit
C_I	Input Capacitance	$V_I = V_{CC}$ – or GND	3.3		3.5		pF
θ_{JA}	Thermal Resistance Junction-to-Ambient	SOT26	(Note 6)		204		$^\circ C/W$
		SOT363			371		
		X2-DFN1410-6			430		
		X2-DFN1010-6			510		
θ_{JC}	Thermal Resistance Junction-to-Case	SOT26	(Note 6)		52		$^\circ C/W$
		SOT363			143		
		X2-DFN1410-6			190		
		X2-DFN1010-6			250		

Notes: 6. Test condition for SOT26, SOT363, X2-DFN1410-6 and X2-DFN1010-6: Device mounted on FR-4 substrate PC board, 2oz copper, with minimum recommended pad layout.

Switching Characteristics

$T_A = -40^\circ C$ to $+85^\circ C$, $C_L = 30$ or $50pF$ as noted (see Figure 1)

Parameter	From (Input)	TO (OUTPUT)	$V_{CC} = 1.8V \pm 0.15V$		$V_{CC} = 2.5V \pm 0.2V$		$V_{CC} = 3.3V \pm 0.3V$		$V_{CC} = 5V \pm 0.5V$		Unit
			Min	Max	Min	Max	Min	Max	Min	Max	
t_{pd}	Any	Y	1.0	14.4	0.7	8.3	0.7	6.3	0.7	5.1	ns

$T_A = -40^\circ C$ to $+125^\circ C$, $C_L = 30$ or $50pF$ as noted (see Figure 1)

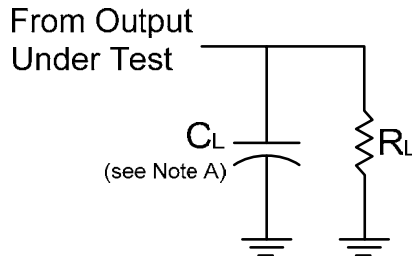
Parameter	From (Input)	TO (OUTPUT)	$V_{CC} = 1.8V \pm 0.15V$		$V_{CC} = 2.5V \pm 0.2V$		$V_{CC} = 3.3V \pm 0.3V$		$V_{CC} = 5V \pm 0.5V$		Unit
			Min	Max	Min	Max	Min	Max	Min	Max	
t_{pd}	Any	Y	1.0	18.0	0.7	10.4	0.7	7.9	0.7	6.4	ns

Operating Characteristics

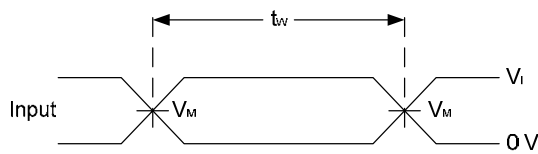
$T_A = +25^\circ C$

Parameter	Test Conditions	$V_{CC} = 1.8V$	$V_{CC} = 2.5V$	$V_{CC} = 3.3V$	$V_{CC} = 5V$	Unit	
		Typ.	Typ.	Typ.	Typ.		
C_{pd}	Power dissipation capacitance	$f = 10$ MHz	22	22	23	24	pF

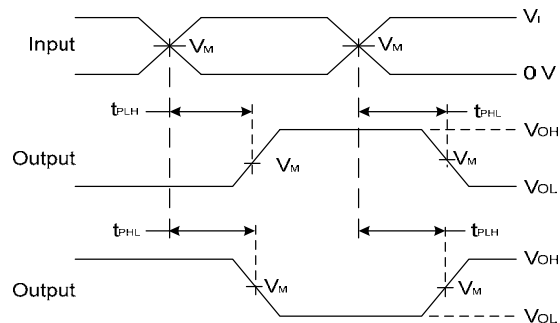
Parameter Measurement Information



V _{CC}	Inputs		V _M	C _L	R _L
	V _I	t _r /t _f			
1.8V±0.15V	V _{CC}	≤2ns	V _{CC} /2	30pF	1KΩ
2.5V±0.2V	V _{CC}	≤2ns	V _{CC} /2	30pF	500Ω
3.3V±0.3V	3V	≤2.5ns	1.5V	50pF	500Ω
5V±0.5V	V _{CC}	≤2.5ns	V _{CC} /2	50pF	500Ω



**Voltage Waveform
Pulse Duration**

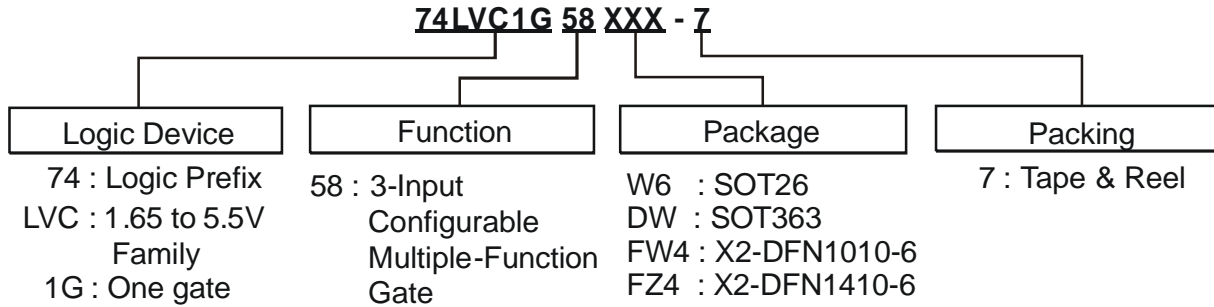






**Voltage Waveform
Propagation Delay Times
Inverting and Non Inverting Outputs**

Figure 1. Load Circuit and Voltage Waveforms

- Notes:
- A. Includes test lead and test apparatus capacitance.
 - B. All pulses are supplied at pulse repetition rate ≤ 10 MHz
 - C. Inputs are measured separately one transition per measurement
 - D. t_{PLH} and t_{PHL} are the same as t_{PD}

Ordering Information

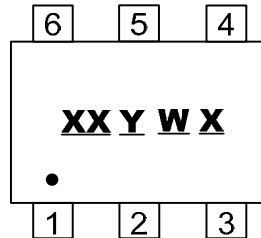


Device	Package Code	Packaging (Note 7)	7" Tape and Reel	
			Quantity	Part Number Suffix
 74LVC1G58W6-7	W6	SOT26	3000/Tape & Reel	-7
 74LVC1G58DW-7	DW	SOT363	3000/Tape & Reel	-7
 74LVC1G58FW4-7	FW4	X2-DFN1010-6	5000/Tape & Reel	-7
 74LVC1G58FZ4-7	FZ4	X2-DFN1410-6	5000/Tape & Reel	-7

Notes: 7. Pad layout as shown on Diodes Inc. suggested pad layout document AP02001, which can be found on our website at <http://www.diodes.com/datasheets/ap02001.pdf>.

Marking Information

(1) SOT26, SOT363

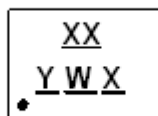


XX : Identification code
Y : Year 0~9
W : Week : A~Z : 1~26 week;
 a~z : 27~52 week; z represents
 52 and 53 week
X : A~Z : Internal Code

Part Number	Package	Identification Code
74LVC1G58W6	SOT26	TX
74LVC1G58DW	SOT363	TX

(2) X2-DFN1010-6, X2-DFN1410-6

(Top View)

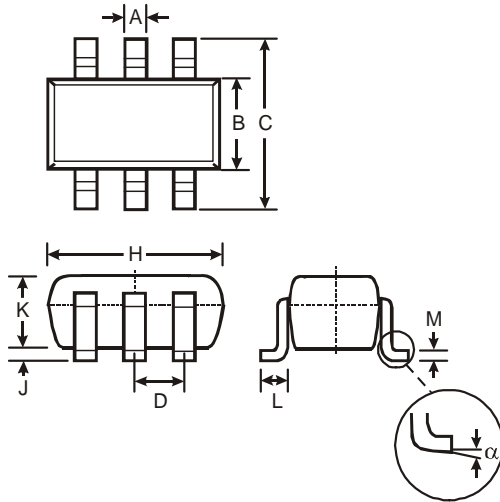


XX : Identification Code
Y : Year : 0~9
W : Week : A~Z : 1~26 week;
 a~z : 27~52 week; z represents
 52 and 53 week
X : A~Z : Internal code

Part Number	Package	Identification Code
74LVC1G58FW4	X2-DFN1010-6	TX
74LVC1G58FZ4	X2-DFN1410-6	TX

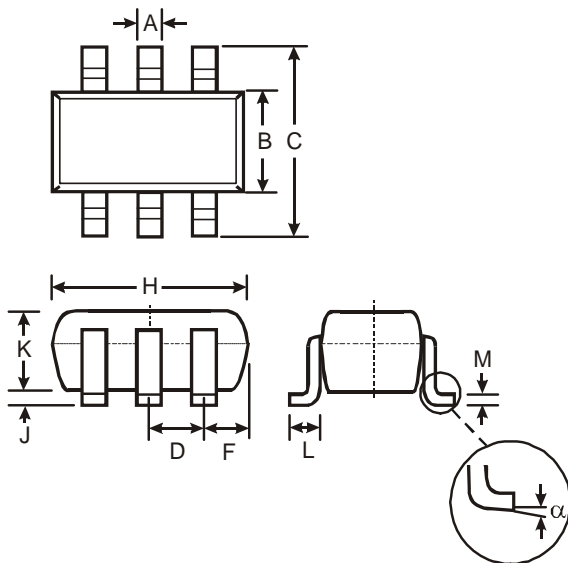
Package Outline Dimensions (All Dimensions in mm)

(1) SOT26



SOT26			
Dim	Min	Max	Typ
A	0.35	0.50	0.38
B	1.50	1.70	1.60
C	2.70	3.00	2.80
D	—	—	0.95
H	2.90	3.10	3.00
J	0.013	0.10	0.05
K	1.00	1.30	1.10
L	0.35	0.55	0.40
M	0.10	0.20	0.15
α	0°	8°	—
All Dimensions in mm			

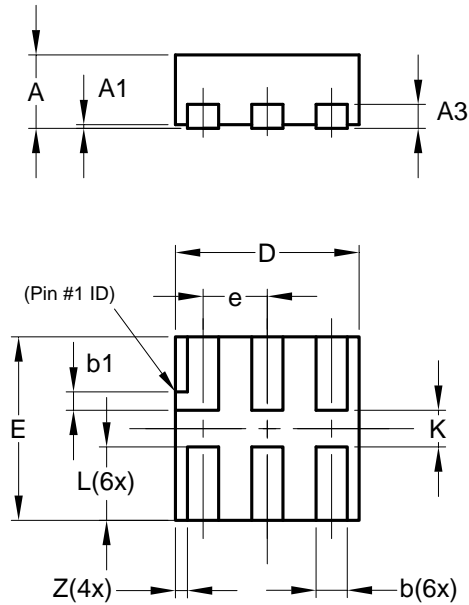
(2) SOT363



SOT363		
Dim	Min	Max
A	0.10	0.30
B	1.15	1.35
C	2.00	2.20
D	0.65 Typ	
F	0.40	0.45
H	1.80	2.20
J	0	0.10
K	0.90	1.00
L	0.25	0.40
M	0.10	0.22
α	0°	8°
All Dimensions in mm		

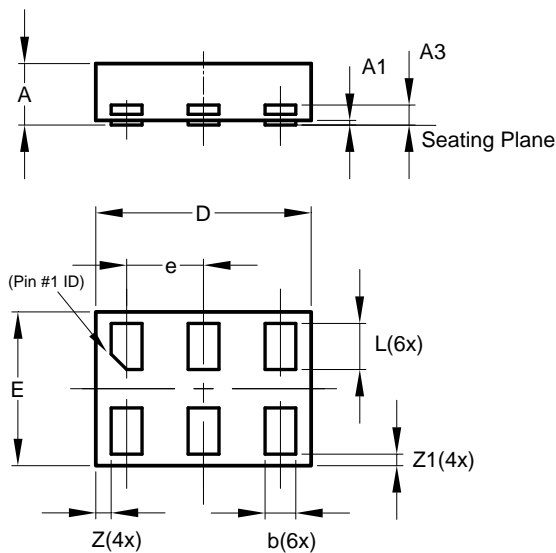
Package Outline Dimensions (All Dimensions in mm)

(3) X2-DFN1010-6



X2-DFN1010-6			
Dim	Min	Max	Typ
A	—	0.40	0.39
A1	0.00	0.05	0.02
A3	—	—	0.13
b	0.14	0.20	0.17
b1	0.05	0.15	0.10
D	0.95	1.05	1.00
E	0.95	1.05	1.00
e	—	—	0.35
L	0.35	0.45	0.40
K	0.15	—	—
Z	—	—	0.065
All Dimensions in mm			

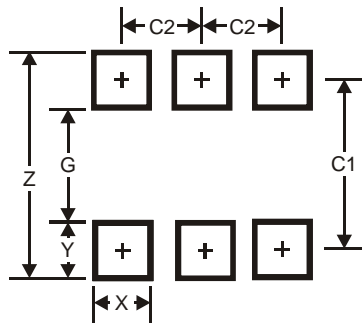
(4) X2-DFN1410-6



X2-DFN1410-6			
Dim	Min	Max	Typ
A	—	0.40	0.39
A1	0.00	0.05	0.02
A3	—	—	0.13
b	0.15	0.25	0.20
D	1.35	1.45	1.40
E	0.95	1.05	1.00
e	—	—	0.50
L	0.25	0.35	0.30
Z	—	—	0.10
Z1	0.045	0.105	0.075
All Dimensions in mm			

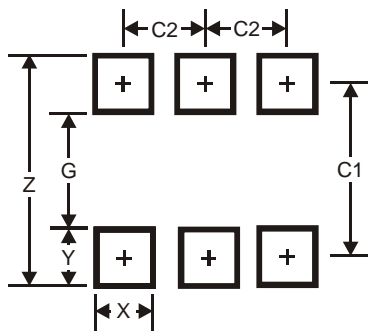
Suggest Pad Layout

(1) SOT26



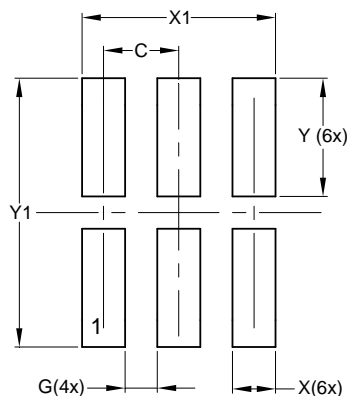
Dimensions	Value (in mm)
Z	3.20
G	1.60
X	0.55
Y	0.80
C1	2.40
C2	0.95

(2) SOT363



Dimensions	Value (in mm)
Z	2.5
G	1.3
X	0.42
Y	0.6
C1	1.9
C2	0.65

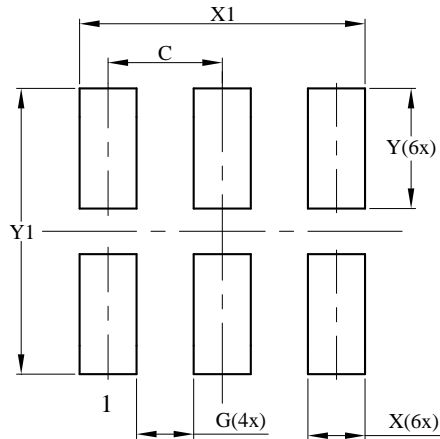
(3) X2-DFN1010-6



Dimensions	Value (in mm)
C	0.350
G	0.150
X	0.200
X1	0.900
Y	0.550
Y1	1.250

Suggest Pad Layout

(4) X2-DFN1410-6



Dimensions	Value (in mm)
C	0.500
G	0.250
X	0.250
X1	1.250
Y	0.525
Y1	1.250

IMPORTANT NOTICE

DIODES INCORPORATED MAKES NO WARRANTY OF ANY KIND, EXPRESS OR IMPLIED, WITH REGARDS TO THIS DOCUMENT, INCLUDING, BUT NOT LIMITED TO, THE IMPLIED WARRANTIES OF MERCHANTABILITY AND FITNESS FOR A PARTICULAR PURPOSE (AND THEIR EQUIVALENTS UNDER THE LAWS OF ANY JURISDICTION).

Diodes Incorporated and its subsidiaries reserve the right to make modifications, enhancements, improvements, corrections or other changes without further notice to this document and any product described herein. Diodes Incorporated does not assume any liability arising out of the application or use of this document or any product described herein; neither does Diodes Incorporated convey any license under its patent or trademark rights, nor the rights of others. Any Customer or user of this document or products described herein in such applications shall assume all risks of such use and will agree to hold Diodes Incorporated and all the companies whose products are represented on Diodes Incorporated website, harmless against all damages.

Diodes Incorporated does not warrant or accept any liability whatsoever in respect of any products purchased through unauthorized sales channel.

Should Customers purchase or use Diodes Incorporated products for any unintended or unauthorized application, Customers shall indemnify and hold Diodes Incorporated and its representatives harmless against all claims, damages, expenses, and attorney fees arising out of, directly or indirectly, any claim of personal injury or death associated with such unintended or unauthorized application.

Products described herein may be covered by one or more United States, international or foreign patents pending. Product names and markings noted herein may also be covered by one or more United States, international or foreign trademarks.

LIFE SUPPORT

Diodes Incorporated products are specifically not authorized for use as critical components in life support devices or systems without the express written approval of the Chief Executive Officer of Diodes Incorporated. As used herein:

A. Life support devices or systems are devices or systems which:

1. are intended to implant into the body, or
2. support or sustain life and whose failure to perform when properly used in accordance with instructions for use provided in the labeling can be reasonably expected to result in significant injury to the user.

B. A critical component is any component in a life support device or system whose failure to perform can be reasonably expected to cause the failure of the life support device or to affect its safety or effectiveness.

Customers represent that they have all necessary expertise in the safety and regulatory ramifications of their life support devices or systems, and acknowledge and agree that they are solely responsible for all legal, regulatory and safety-related requirements concerning their products and any use of Diodes Incorporated products in such safety-critical, life support devices or systems, notwithstanding any devices- or systems-related information or support that may be provided by Diodes Incorporated. Further, Customers must fully indemnify Diodes Incorporated and its representatives against any damages arising out of the use of Diodes Incorporated products in such safety-critical, life support devices or systems.

Copyright © 2012, Diodes Incorporated

www.diodes.com