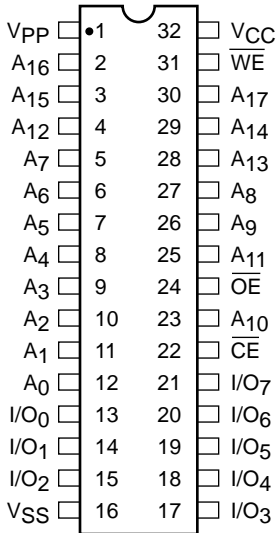
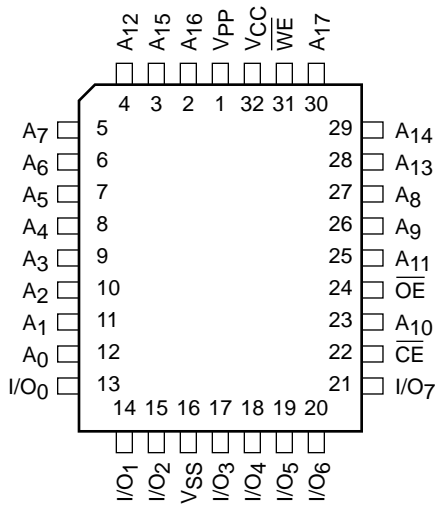


**PIN CONFIGURATION**

**DIP Package (L)**



**PLCC Package (N, G)**

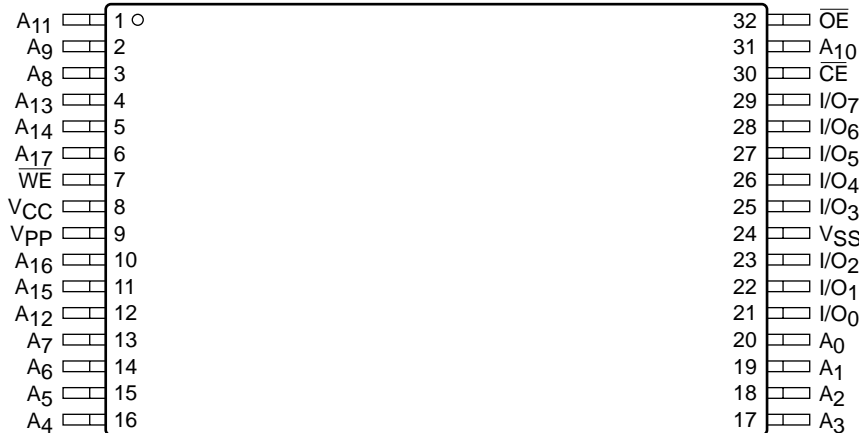


**PIN FUNCTIONS**

Pin Name	Type	Function
A <sub>0</sub> –A <sub>17</sub>	Input	Address Inputs for memory addressing
I/O <sub>0</sub> –I/O <sub>7</sub>	I/O	Data Input/Output
$\overline{\text{CE}}$	Input	Chip Enable
$\overline{\text{OE}}$	Input	Output Enable
$\overline{\text{WE}}$	Input	Write Enable
V <sub>CC</sub>		Voltage Supply
V <sub>SS</sub>		Ground
V <sub>PP</sub>		Program/Erase Voltage Supply

5115 FHD F01

**TSOP Package (Standard Pinout) (T, H)**



**TSOP Package (Reverse Pinout) (TR, HR)**



5115 FHD F14

**ABSOLUTE MAXIMUM RATINGS\***

Temperature Under Bias .....	-45°C to +130°C
Storage Temperature .....	-65°C to +150°C
Voltage on Any Pin with Respect to Ground <sup>(1)</sup> .....	-2.0V to +V <sub>CC</sub> + 2.0V
Voltage on Pin A <sub>9</sub> with Respect to Ground <sup>(1)</sup> .....	-2.0V to +13.5V
V <sub>PP</sub> with Respect to Ground during Program/Erase <sup>(1)</sup> .....	-2.0V to +14.0V
V <sub>CC</sub> with Respect to Ground <sup>(1)</sup> .....	-2.0V to +7.0V
Package Power Dissipation Capability (T <sub>A</sub> = 25°C) .....	1.0 W
Lead Soldering Temperature (10 secs) .....	300°C
Output Short Circuit Current <sup>(2)</sup> .....	100 mA

**\*COMMENT**

Stresses above those listed under “Absolute Maximum Ratings” may cause permanent damage to the device. These are stress ratings only, and functional operation of the device at these or any other conditions outside of those listed in the operational sections of this specification is not implied. Exposure to any absolute maximum rating for extended periods may affect device performance and reliability.

**RELIABILITY CHARACTERISTICS**

Symbol	Parameter	Test Method	Min	Typ	Max	Units
N <sub>END</sub> <sup>(3)</sup>	Endurance	MIL-STD-883, Test Method 1033	100K			Cycles/Byte
T <sub>DR</sub> <sup>(3)</sup>	Data Retention	MIL-STD-883, Test Method 1008	10			Years
V <sub>ZAP</sub> <sup>(3)</sup>	ESD Susceptibility	MIL-STD-883, Test Method 3015	2000			Volts
I <sub>LTH</sub> <sup>(3)(4)</sup>	Latch-Up	JEDEC Standard 17	100			mA

**CAPACITANCE** T<sub>A</sub> = 25°C, f = 1.0 MHz

Symbol	Test	Conditions	Min	Typ	Max	Units
C <sub>IN</sub> <sup>(3)</sup>	Input Pin Capacitance	V <sub>IN</sub> = 0V			6	pF
C <sub>OUT</sub> <sup>(3)</sup>	Output Pin Capacitance	V <sub>OUT</sub> = 0V			10	pF
C <sub>VPP</sub> <sup>(3)</sup>	V <sub>PP</sub> Supply Capacitance	V <sub>PP</sub> = 0V			25	pF

**Note:**

1. The minimum DC input voltage is -0.5V. During transitions, inputs may undershoot to -2.0V for periods of less than 20 ns. Maximum DC voltage on output pins is V<sub>CC</sub> +0.5V, which may overshoot to V<sub>CC</sub> + 2.0V for periods of less than 20ns.
2. Output shorted for no more than one second. No more than one output shorted at a time.
3. This parameter is tested initially and after a design or process change that affects the parameter.
4. Latch-up protection is provided for stresses up to 100 mA on address and data pins from -1V to V<sub>CC</sub> +1V.

**D.C. OPERATING CHARACTERISTICS**

V<sub>CC</sub> = +5V ±10%, unless otherwise specified. (See Note 2)

Symbol	Parameter	Test Conditions	Min	Typ	Max	Unit
I <sub>LI</sub>	Input Leakage Current	V <sub>IN</sub> = V <sub>CC</sub> or V <sub>SS</sub> V <sub>CC</sub> = 5.5V, $\overline{OE} = V_{IH}$			±1	μA
I <sub>LO</sub>	Output Leakage Current	V <sub>OUT</sub> = V <sub>CC</sub> or V <sub>SS</sub> , V <sub>CC</sub> = 5.5V, $\overline{OE} = V_{IH}$			±1	μA
I <sub>SB1</sub>	V <sub>CC</sub> Standby Current CMOS	$\overline{CE} = V_{CC} \pm 0.5V$ , V <sub>CC</sub> = 5.5V			100	μA
I <sub>SB2</sub>	V <sub>CC</sub> Standby Current TTL	$\overline{CE} = V_{IH}$ , V <sub>CC</sub> = 5.5V			1	mA
I <sub>CC1</sub>	V <sub>CC</sub> Active Read Current	V <sub>CC</sub> = 5.5V, CE = V <sub>IL</sub> , I <sub>OUT</sub> = 0mA, f = 6 MHz			30	mA
I <sub>CC2</sub> <sup>(1)</sup>	V <sub>CC</sub> Programming Current	V <sub>CC</sub> = 5.5V, Programming in Progress			15	mA
I <sub>CC3</sub> <sup>(1)</sup>	V <sub>CC</sub> Erase Current	V <sub>CC</sub> = 5.5V, Erasure in Progress			15	mA
I <sub>CC4</sub> <sup>(1)</sup>	V <sub>CC</sub> Prog./Erase Verify Current	V <sub>CC</sub> = 5.5V, Program or Erase Verify in Progress			15	mA
I <sub>PPS</sub>	V <sub>PP</sub> Standby Current	V <sub>PP</sub> = V <sub>PPL</sub>			±10	μA
I <sub>PP1</sub>	V <sub>PP</sub> Read Current	V <sub>PP</sub> = V <sub>PPH</sub>			200	μA
I <sub>PP2</sub> <sup>(1)</sup>	V <sub>PP</sub> Programming Current	V <sub>PP</sub> = V <sub>PPH</sub> , Programming in Progress			30	mA
I <sub>PP3</sub> <sup>(1)</sup>	V <sub>PP</sub> Erase Current	V <sub>PP</sub> = V <sub>PPH</sub> , Erasure in Progress			30	mA
I <sub>PP4</sub> <sup>(1)</sup>	V <sub>PP</sub> Prog./Erase Verify Current	V <sub>PP</sub> = V <sub>PPH</sub> , Program or Erase Verify in Progress			5	mA
V <sub>IL</sub>	Input Low Level TTL		-0.5		0.8	V
V <sub>ILC</sub>	Input Low Level CMOS		-0.5		0.8	V
V <sub>OL</sub>	Output Low Level	I <sub>OL</sub> = 5.8mA, V <sub>CC</sub> <sup>(2)</sup> = 4.5V			0.45	V
V <sub>IH</sub>	Input High Level TTL		2		V <sub>CC</sub> +0.5	V
V <sub>IHC</sub>	Input High Level CMOS		V <sub>CC</sub> *0.7		V <sub>CC</sub> +0.5	V
V <sub>OH1</sub>	Output High Level TTL	I <sub>OH</sub> = -2.5mA, V <sub>CC</sub> <sup>(2)</sup> = 4.5V	2.4			V
V <sub>OH2</sub>	Output High Level CMOS	I <sub>OH</sub> = -400μA, V <sub>CC</sub> <sup>(2)</sup> = 4.5V	V <sub>CC</sub> -0.4			V
V <sub>ID</sub>	A <sub>9</sub> Signature Voltage	A <sub>9</sub> = V <sub>ID</sub>	11.4		13	V
I <sub>ID</sub> <sup>(1)</sup>	A <sub>9</sub> Signature Current	A <sub>9</sub> = V <sub>ID</sub>			200	μA
V <sub>LO</sub>	V <sub>CC</sub> Erase/Prog. Lockout Voltage		2.5			V

Note:

1. This parameter is tested initially and after a design or process change that affects the parameter.
2. CAT28F020-90, V<sub>CCMIN</sub> = 4.75 V.

## SUPPLY CHARACTERISTICS

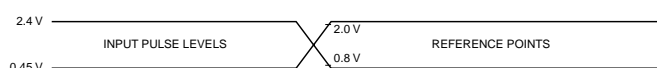
Symbol	Parameter		Min	Typ	Max	Unit
VCC	VCC Supply Voltage	28F020-90	4.75		5.5	V
		28F020-12	4.5		5.5	V
VPPL	VPP During Read Operations		0		6.5	V
VPPH	VPP During Read/Erase/Program		11.4		12.6	V

## A.C. CHARACTERISTICS, Read Operation

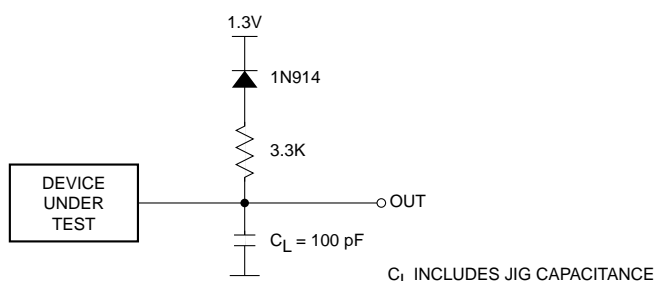
VCC = +5V ±10%, unless otherwise specified. (See Note 8)

JEDEC Symbol	Standard Symbol	Parameter	28F020-90 <sup>(7)</sup>			28F020-12 <sup>(7)</sup>			Unit
			Min	Typ	Max	Min	Typ	Max	
t <sub>AVAV</sub>	t <sub>RC</sub>	Read Cycle Time	90			120			ns
t <sub>ELQV</sub>	t <sub>CE</sub>	$\overline{CE}$ Access Time			90			120	ns
t <sub>AVQV</sub>	t <sub>ACC</sub>	Address Access Time			90			120	ns
t <sub>GLQV</sub>	t <sub>OE</sub>	$\overline{OE}$ Access Time			35			50	ns
t <sub>AXQX</sub>	t <sub>OH</sub>	Output Hold from Address $\overline{OE}/\overline{CE}$ Change	0			0			ns
t <sub>GLQX</sub>	t <sub>OLZ</sub> <sup>(1)(6)</sup>	$\overline{OE}$ to Output in Low-Z	0			0			ns
t <sub>ELQX</sub>	t <sub>LZ</sub> <sup>(1)(6)</sup>	$\overline{CE}$ to Output in Low-Z	0			0			ns
t <sub>GHQZ</sub>	t <sub>DF</sub> <sup>(1)(2)</sup>	$\overline{OE}$ High to Output High-Z			30			30	ns
t <sub>EHQZ</sub>	t <sub>DF</sub> <sup>(1)(2)</sup>	$\overline{CE}$ High to Output High-Z			40			40	ns
t <sub>WHGL</sub> <sup>(1)</sup>	-	Write Recovery Time Before Read	6			6			μs

Figure 1. A.C. Testing Input/Output Waveform<sup>(3)(4)(5)</sup>



## Testing Load Circuit (example)



## Note:

1. This parameter is tested initially and after a design or process change that affects the parameter.
2. Output floating (High-Z) is defined as the state where the external data line is no longer driven by the output buffer.
3. Input Rise and Fall Times (10% to 90%) < 10 ns.
4. Input Pulse Levels = 0.45 V and 2.4 V. For High Speed Input Pulse Levels 0.0 V and 3.0 V.
5. Input and Output Timing Reference = 0.8 V and 2.0 V. For High Speed Input and Output Timing Reference = 1.5 V.
6. Low-Z is defined as the state where the external data may be driven by the output buffer but may not be valid.
7. For load and reference points, see Fig. 1.
8. CAT28F020-90, V<sub>CCMIN</sub> = 4.75 V.

**A.C. CHARACTERISTICS, Program/Erase Operation**

V<sub>CC</sub> = +5V ±10%, unless otherwise specified. (See Note 6)

JEDEC Symbol	Standard Symbol	Parameter	28F020-90			28F020-12			Unit
			Min	Typ	Max	Min	Typ	Max	
t <sub>AVAV</sub>	t <sub>WC</sub>	Write Cycle Time	90			120			ns
t <sub>AVWL</sub>	t <sub>AS</sub>	Address Setup Time	0			0			ns
t <sub>WLAX</sub>	t <sub>AH</sub>	Address Hold Time	40			40			ns
t <sub>DVWH</sub>	t <sub>DS</sub>	Data Setup Time	40			40			ns
t <sub>WHDX</sub>	t <sub>DH</sub>	Data Hold Time	10			10			ns
t <sub>ELWL</sub>	t <sub>CS</sub>	$\overline{\text{CE}}$ Setup Time	0			0			ns
t <sub>WHEH</sub>	t <sub>CH</sub>	$\overline{\text{CE}}$ Hold Time	0			0			ns
t <sub>WLWH</sub>	t <sub>WP</sub>	$\overline{\text{WE}}$ Pulse Width	40			40			ns
t <sub>WHWL</sub>	t <sub>WPH</sub>	$\overline{\text{WE}}$ High Pulse Width	20			20			ns
t <sub>WHWH1</sub> <sup>(2)</sup>	-	Program Pulse Width	10			10			μs
t <sub>WHWH2</sub> <sup>(2)</sup>	-	Erase Pulse Width	9.5			9.5			ms
t <sub>WHGL</sub>	-	Write Recovery Time Before Read	6			6			μs
t <sub>GHWL</sub>	-	Read Recovery Time Before Write	0			0			μs
t <sub>VPEL</sub>	-	V <sub>PP</sub> Setup Time to $\overline{\text{CE}}$	100			100			ns

**ERASE AND PROGRAMMING PERFORMANCE<sup>(1)</sup>**

Parameter	28F020-90			28F020-12			Unit
	Min	Typ	Max	Min	Typ	Max	
Chip Erase Time <sup>(3)(5)</sup>		0.5	10		0.5	10	sec
Chip Program Time <sup>(3)(4)</sup>		4	25		4	25	sec

Note:

1. Please refer to Supply characteristics for the value of V<sub>PPH</sub> and V<sub>PPL</sub>. The V<sub>PP</sub> supply can be either hardwired or switched. If V<sub>PP</sub> is switched, V<sub>PPL</sub> can be ground, less than V<sub>CC</sub> + 2.0V or a no connect with a resistor tied to ground.
2. Program and Erase operations are controlled by internal stop timers.
3. 'Typicals' are not guaranteed, but based on characterization data. Data taken at 25°C, 12.0V V<sub>PP</sub>.
4. Minimum byte programming time (excluding system overhead) is 16 μs (10 μs program + 6 μs write recovery), while maximum is 400 μs/byte (16 μs x 25 loops). Max chip programming time is specified lower than the worst case allowed by the programming algorithm since most bytes program significantly faster than the worst case byte.
5. Excludes 00H Programming prior to Erasure.
6. CAT28F020-90, V<sub>CCMIN</sub> = 4.75 V

FUNCTION TABLE<sup>(1)</sup>

Mode	Pins					Notes
	$\overline{CE}$	$\overline{OE}$	$\overline{WE}$	$V_{PP}$	I/O	
Read	$V_{IL}$	$V_{IL}$	$V_{IH}$	$V_{PPL}$	$D_{OUT}$	
Output Disable	$V_{IL}$	$V_{IH}$	$V_{IH}$	X	High-Z	
Standby	$V_{IH}$	X	X	$V_{PPL}$	High-Z	
Signature (MFG)	$V_{IL}$	$V_{IL}$	$V_{IH}$	X	31H	$A_0 = V_{IL}, A_9 = 12V$
Signature (Device)	$V_{IL}$	$V_{IL}$	$V_{IH}$	X	BDH	$A_0 = V_{IH}, A_9 = 12V$
Program/Erase	$V_{IL}$	$V_{IH}$	$V_{IL}$	$V_{PPH}$	$D_{IN}$	See Command Table
Write Cycle	$V_{IL}$	$V_{IH}$	$V_{IL}$	$V_{PPH}$	$D_{IN}$	During Write Cycle
Read Cycle	$V_{IL}$	$V_{IL}$	$V_{IH}$	$V_{PPH}$	$D_{OUT}$	During Write Cycle

## WRITE COMMAND TABLE

Commands are written into the command register in one or two write cycles. The command register can be altered only when  $V_{PP}$  is high and the instruction byte is latched on the rising edge of  $\overline{WE}$ . Write cycles also internally latch addresses and data required for programming and erase operations.

Mode	Pins						
	First Bus Cycle			Second Bus Cycle			
	Operation	Address	$D_{IN}$	Operation	Address	$D_{IN}$	$D_{OUT}$
Set Read	Write	X	00H	Read	$A_{IN}$		$D_{OUT}$
Read Sig. (MFG)	Write	X	90H	Read	00		31H
Read Sig. (Device)	Write	X	90H	Read	01		BDH
Erase	Write	X	20H	Write	X	20H	
Erase Verify	Write	$A_{IN}$	A0H	Read	X		$D_{OUT}$
Program	Write	X	40H	Write	$A_{IN}$	$D_{IN}$	
Program Verify	Write	X	C0H	Read	X		$D_{OUT}$
Reset	Write	X	FFH	Write	X	FFH	

Note:

- Logic Levels: X = Logic 'Do not care' ( $V_{IH}$ ,  $V_{IL}$ ,  $V_{PPL}$ ,  $V_{PPH}$ )

## READ OPERATIONS

### Read Mode

A Read operation is performed with both  $\overline{CE}$  and  $\overline{OE}$  low and with  $\overline{WE}$  high.  $V_{PP}$  can be either high or low, however, if  $V_{PP}$  is high, the Set READ command has to be sent before reading data (see Write Operations). The data retrieved from the I/O pins reflects the contents of the memory location corresponding to the state of the 18 address pins. The respective timing waveforms for the read operation are shown in Figure 3. Refer to the AC Read characteristics for specific timing parameters.

### Signature Mode

The signature mode allows the user to identify the IC manufacturer and the type of device while the device resides in the target system. This mode can be activated in either of two ways; through the conventional method of applying a high voltage (12V) to address pin  $A_9$  or by sending an instruction to the command register (see Write Operations).

The conventional mode is entered as a regular READ mode by driving the  $\overline{CE}$  and  $\overline{OE}$  pins low (with  $\overline{WE}$  high), and applying the required high voltage on address pin  $A_9$  while all other address lines are held at  $V_{IL}$ .

A Read cycle from address 0000H retrieves the binary code for the IC manufacturer on outputs I/O<sub>0</sub> to I/O<sub>7</sub>:

CATALYST Code = 00110001 (31H)

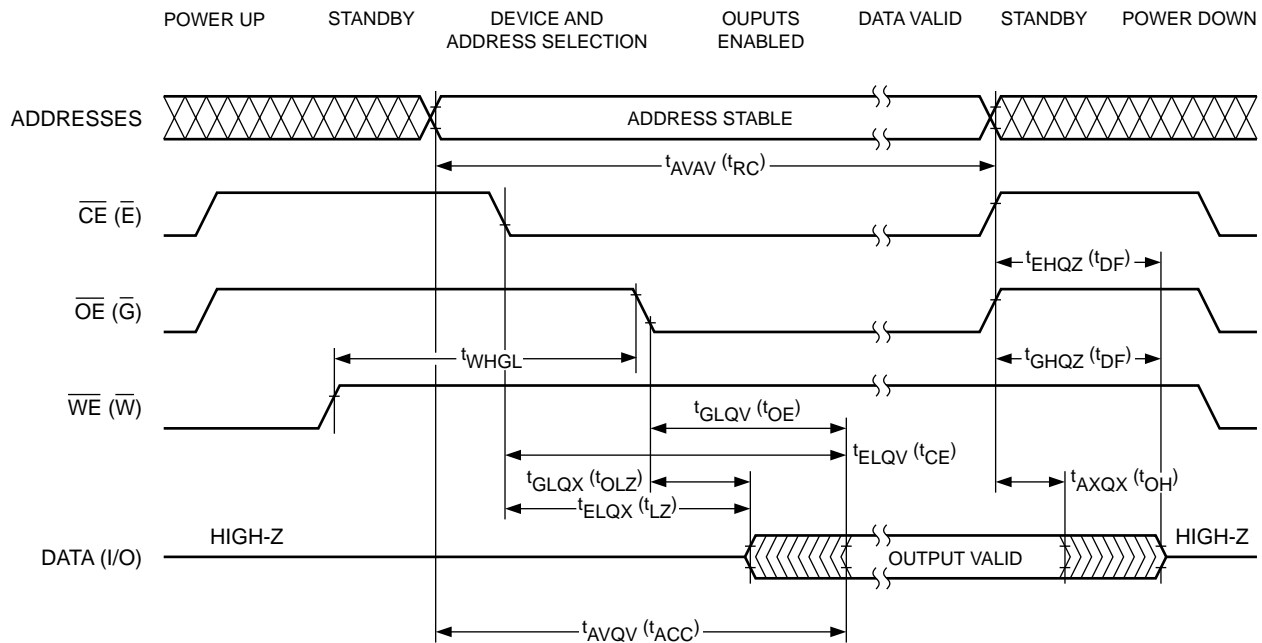
A Read cycle from address 0001H retrieves the binary code for the device on outputs I/O<sub>0</sub> to I/O<sub>7</sub>.

28F020 Code = 1011 1101 (BDH)

### Standby Mode

With  $\overline{CE}$  at a logic-high level, the CAT28F020 is placed in a standby mode where most of the device circuitry is disabled, thereby substantially reducing power consumption. The outputs are placed in a high-impedance state.

Figure 3. A.C. Timing for Read Operation



28F020 F05

## WRITE OPERATIONS

The following operations are initiated by observing the sequence specified in the Write Command Table.

### Read Mode

The device can be put into a standard READ mode by initiating a write cycle with 00H on the data bus. The subsequent read cycles will be performed similar to a standard EPROM or E<sup>2</sup>PROM Read.

### Signature Mode

An alternative method for reading device signature (see Read Operations Signature Mode), is initiated by writing the code 90H into the command register while keeping V<sub>PP</sub> high. A read cycle from address 0000H with  $\overline{CE}$  and  $\overline{OE}$  low (and  $\overline{WE}$  high) will output the device signature.

CATALYST Code = 00110001 (31H)

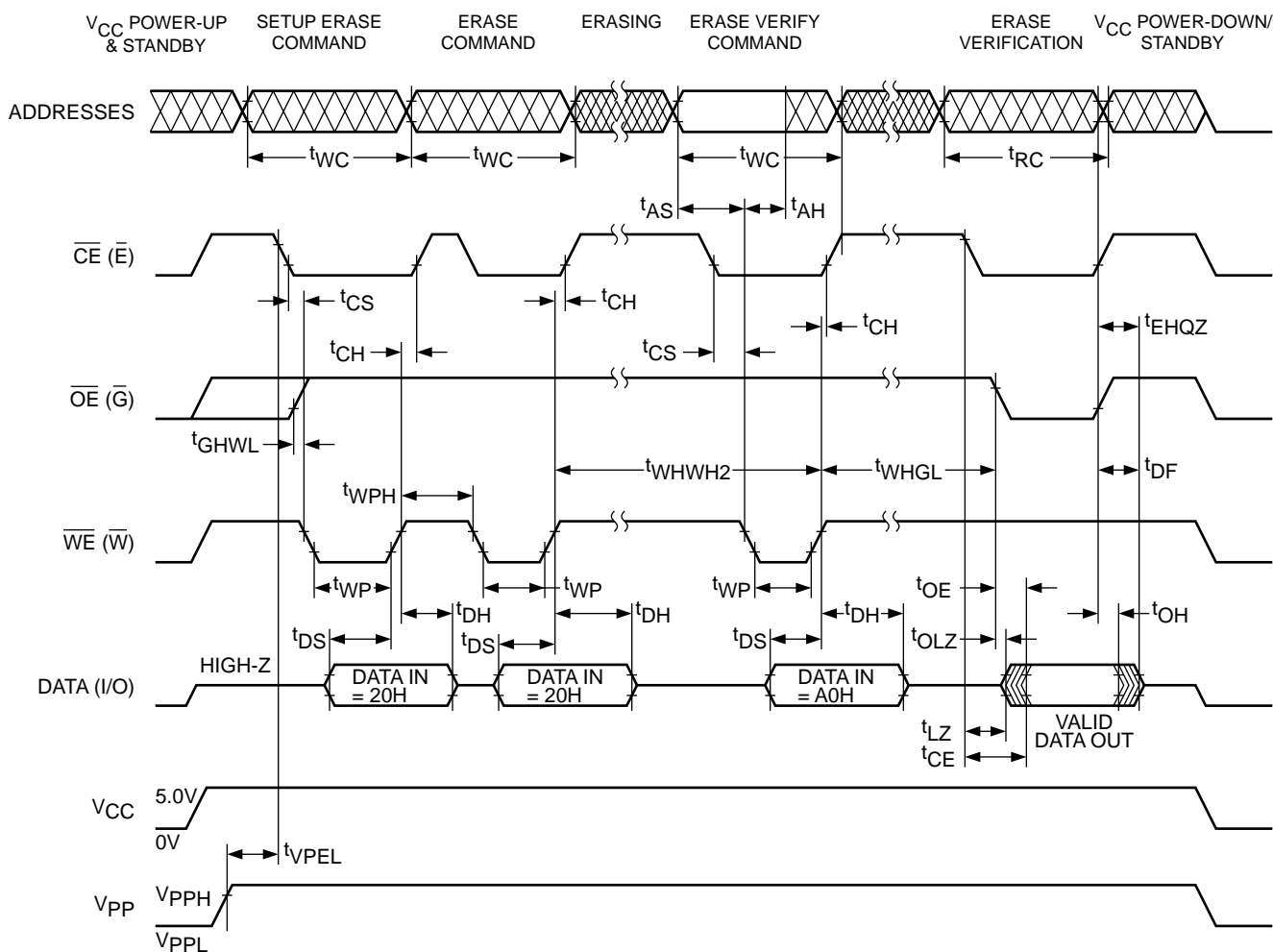
A Read cycle from address 0001H retrieves the binary code for the device on outputs I/O<sub>0</sub> to I/O<sub>7</sub>.

28F020 Code = 1011 1101 (BDH)

### Erase Mode

During the first Write cycle, the command 20H is written into the command register. In order to commence the erase operation, the identical command of 20H has to be written again into the register. This two-step process ensures against accidental erasure of the memory contents. The final erase cycle will be stopped at the rising edge of  $\overline{WE}$ , at which time the Erase Verify command (A0H) is sent to the command register. During this cycle, the address to be verified is sent to the address bus and latched when  $\overline{WE}$  goes low. An integrated stop timer allows for automatic timing control over this operation, eliminating the need for a maximum erase timing specification. Refer to AC Characteristics (Program/Erase) for specific timing parameters.

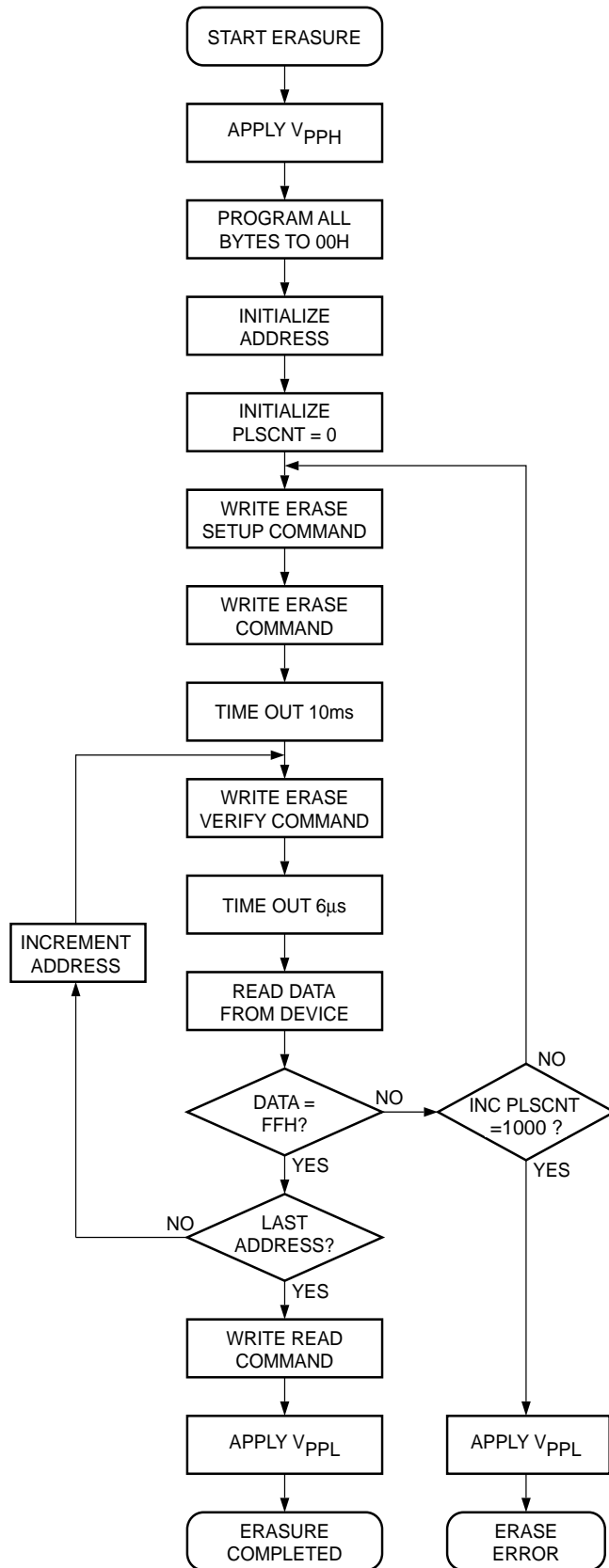
Figure 4. A.C. Timing for Erase Operation



28F020 F11



Figure 5. Chip Erase Algorithm(1)



BUS OPERATION	COMMAND	COMMENTS
STANDBY		V <sub>pp</sub> RAMPS TO V <sub>ppH</sub> (OR V <sub>pp</sub> HARDWIRED)  ALL BYTES SHALL BE PROGRAMMED TO 00 BEFORE AN ERASE OPERATION  INITIALIZE ADDRESS  PLSCNT = PULSE COUNT
WRITE	ERASE	DATA=20H
WRITE	ERASE	DATA = 20H
		WAIT
WRITE	ERASE VERIFY	ADDRESS = BYTE TO VERIFY DATA = A0H STOPS ERASE OPERATION
		WAIT
READ		READ BYTE TO VERIFY ERASURE
STANDBY		COMPARE OUTPUT TO FF INCREMENT PULSE COUNT
WRITE	READ	DATA = 00H RESETS THE REGISTER FOR READ OPERATION
STANDBY		V <sub>pp</sub> RAMPS TO V <sub>ppL</sub> (OR V <sub>pp</sub> HARDWIRED)

Note:

(1) The algorithm MUST BE FOLLOWED to ensure proper and reliable operation of the device.

5108 FHD F10

### Erase-Verify Mode

The Erase-verify operation is performed on every byte after each erase pulse to verify that the bits have been erased.

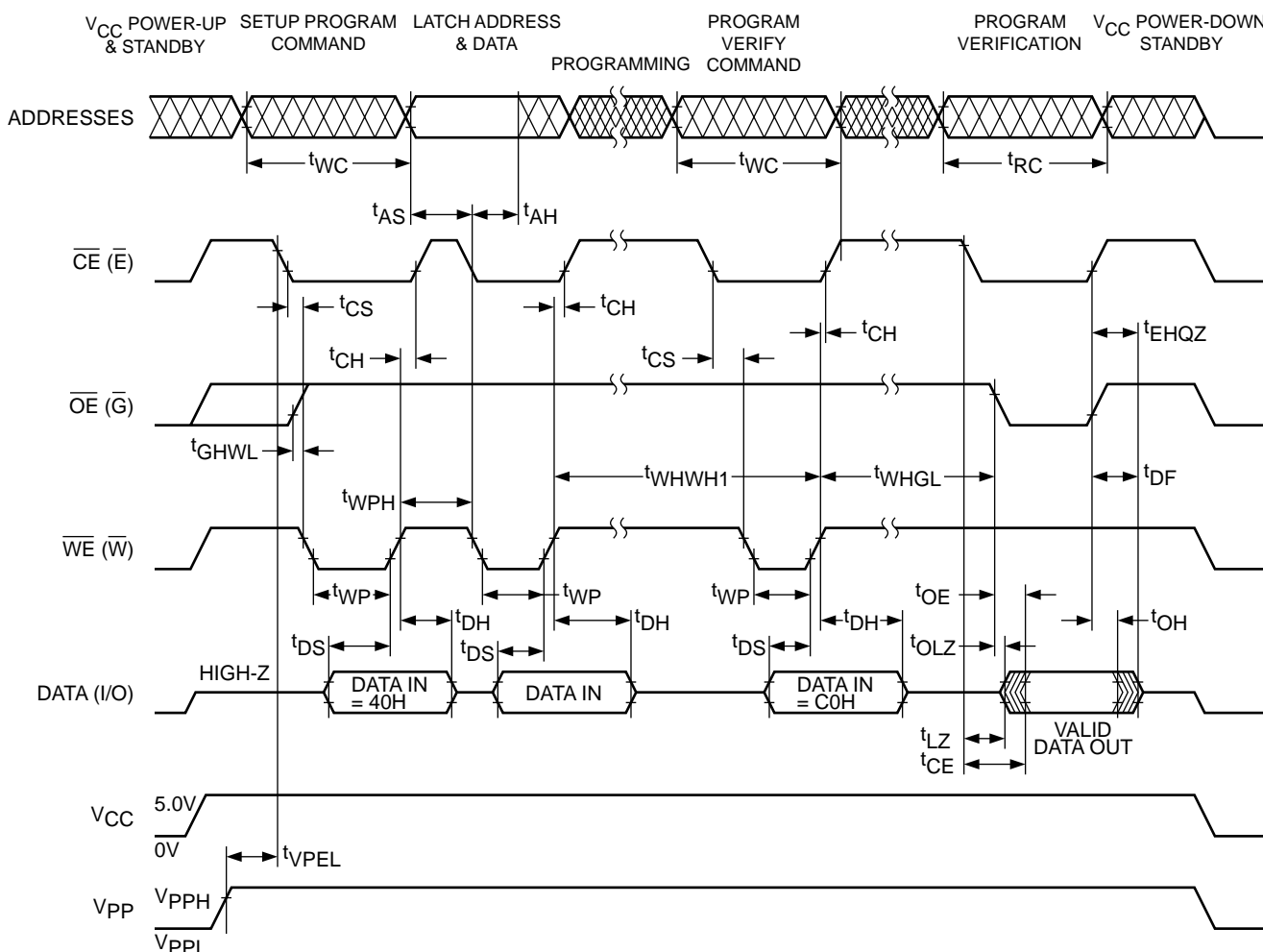
### Programming Mode

The programming operation is initiated using the programming algorithm of Figure 7. During the first write cycle, the command 40H is written into the command register. During the second write cycle, the address of the memory location to be programmed is latched on the falling edge of  $\overline{WE}$ , while the data is latched on the rising edge of  $\overline{WE}$ . The program operation terminates with the next rising edge of  $\overline{WE}$ . An integrated stop timer allows for automatic timing control over this operation, eliminating the need for a maximum program timing specification. Refer to AC Characteristics (Program/Erase) for specific timing parameters.

### Program-Verify Mode

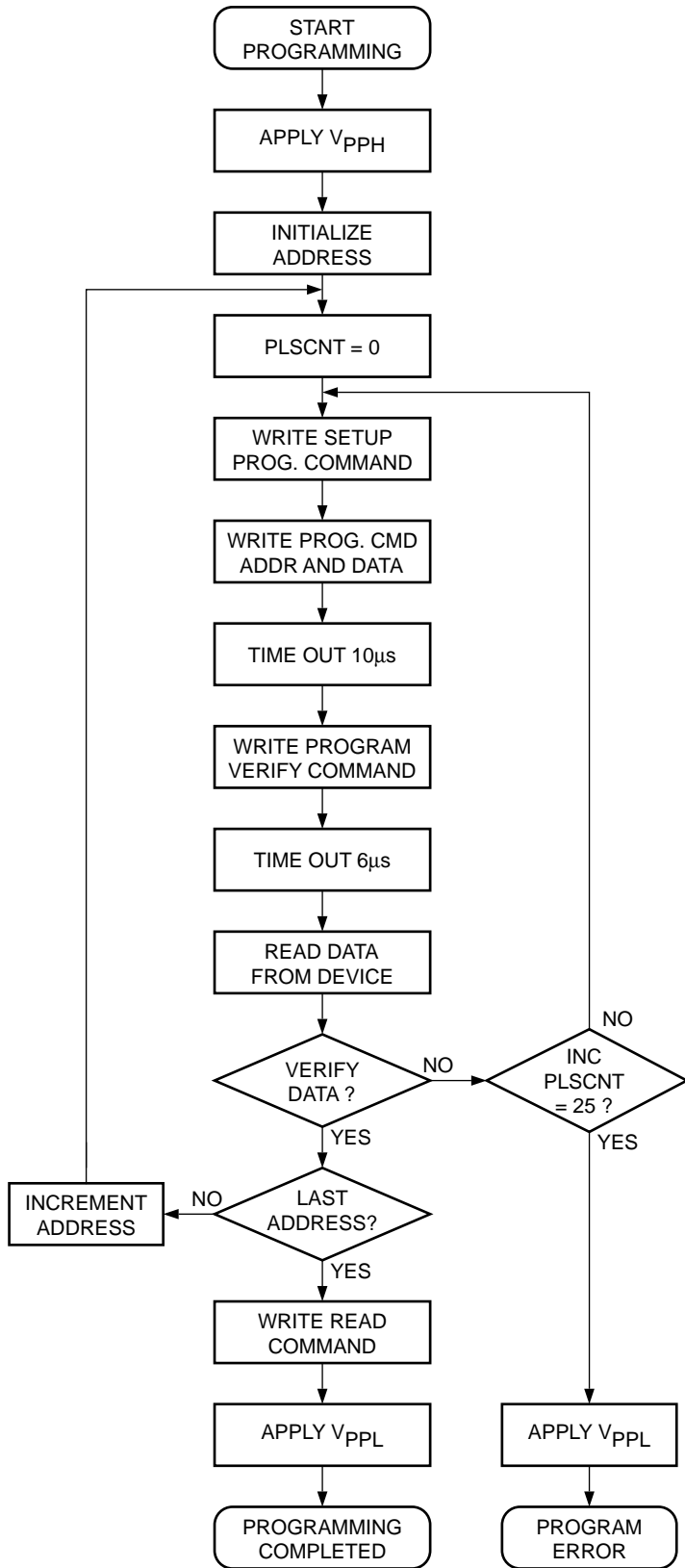
A Program-verify cycle is performed to ensure that all bits have been correctly programmed following each byte programming operation. The specific address is already latched from the write cycle just completed, and stays latched until the verify is completed. The Program-verify operation is initiated by writing C0H into the command register. An internal reference generates the necessary high voltages so that the user does not need to modify  $V_{CC}$ . Refer to AC Characteristics (Program/Erase) for specific timing parameters.

Figure 6. A.C. Timing for Programming Operation



28F020 F07

Figure 7. Programming Algorithm<sup>(1)</sup>



BUS OPERATION	COMMAND	COMMENTS
STANDBY		V <sub>pp</sub> RAMPS TO V <sub>ppH</sub> (OR V <sub>pp</sub> HARDWIRED)
		INITIALIZE ADDRESS
		INITIALIZE PULSE COUNT PLSCNT = PULSE COUNT
1ST WRITE CYCLE	WRITE SETUP	DATA = 40H
2ND WRITE CYCLE	PROGRAM	VALID ADDRESS AND DATA
		WAIT
1ST WRITE CYCLE	PROGRAM VERIFY	DATA = C0H
		WAIT
READ		READ BYTE TO VERIFY PROGRAMMING
STANDBY		COMPARE DATA OUTPUT TO DATA EXPECTED
1ST WRITE CYCLE	READ	DATA = 00H SETS THE REGISTER FOR READ OPERATION
STANDBY		V <sub>pp</sub> RAMPS TO V <sub>ppL</sub> (OR V <sub>pp</sub> HARDWIRED)

Note:

(1) The algorithm MUST BE FOLLOWED to ensure proper and reliable operation of the device.

### Abort/Reset

An Abort/Reset command is available to allow the user to safely abort an erase or program sequence. Two consecutive program cycles with FFH on the data bus will abort an erase or a program operation. The abort/reset operation can interrupt at any time in a program or erase operation and the device is reset to the Read Mode.

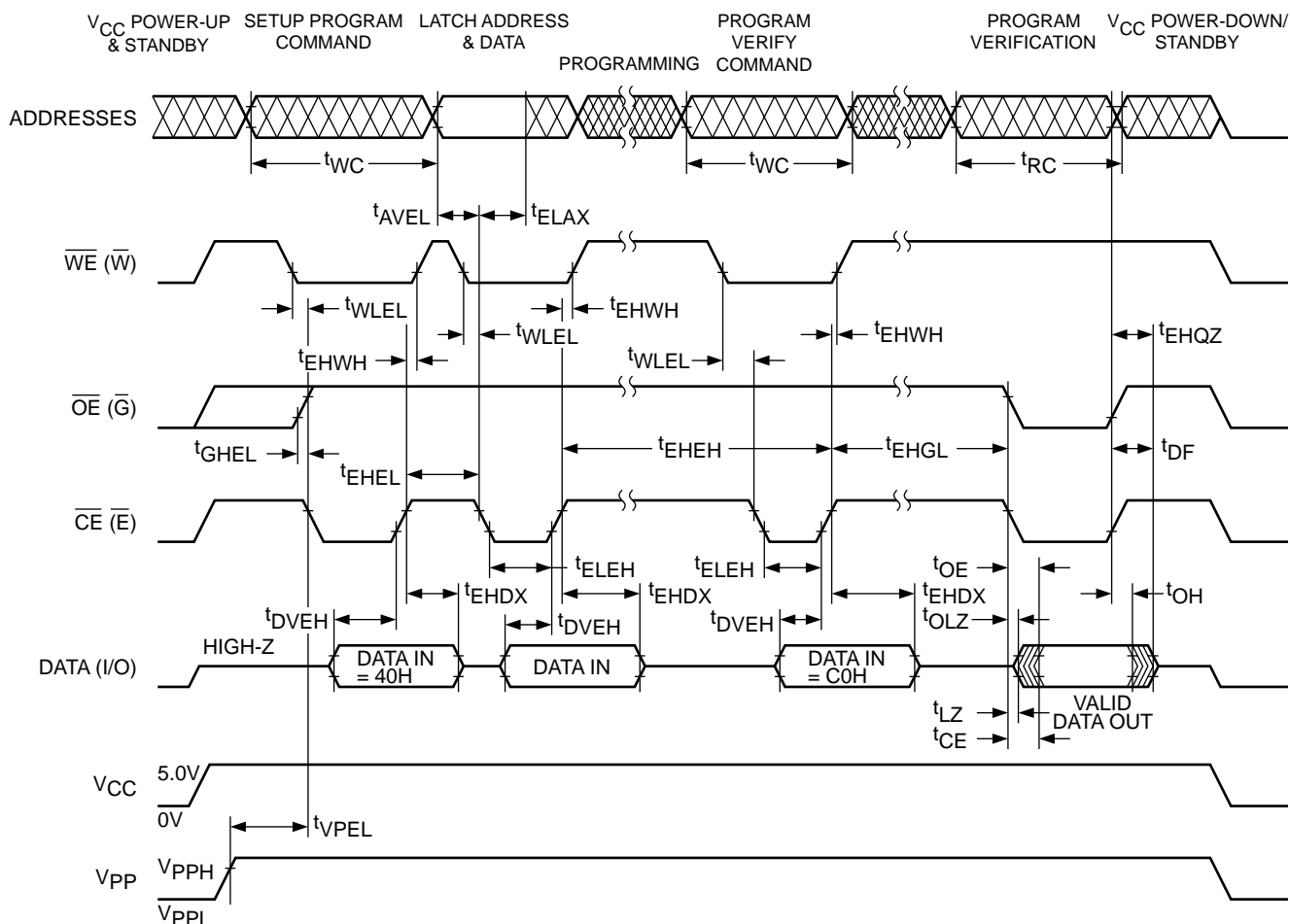
### POWER SUPPLY DECOUPLING

To reduce the effect of transient power supply voltage spikes, it is good practice to use a 0.1μF ceramic capacitor between V<sub>CC</sub> and V<sub>SS</sub> and V<sub>PP</sub> and V<sub>SS</sub>. These high-frequency capacitors should be placed as close as possible to the device for optimum decoupling.

### POWER UP/DOWN PROTECTION

The CAT28F020 offers protection against inadvertent programming during V<sub>PP</sub> and V<sub>CC</sub> power transitions. When powering up the device there is no power-on sequencing necessary. In other words, V<sub>PP</sub> and V<sub>CC</sub> may power up in any order. Additionally V<sub>PP</sub> may be hardwired to V<sub>PPH</sub> independent of the state of V<sub>CC</sub> and any power up/down cycling. The internal command register of the CAT28F020 is reset to the Read Mode on power up.

Figure 8. Alternate A.C. Timing for Program Operation

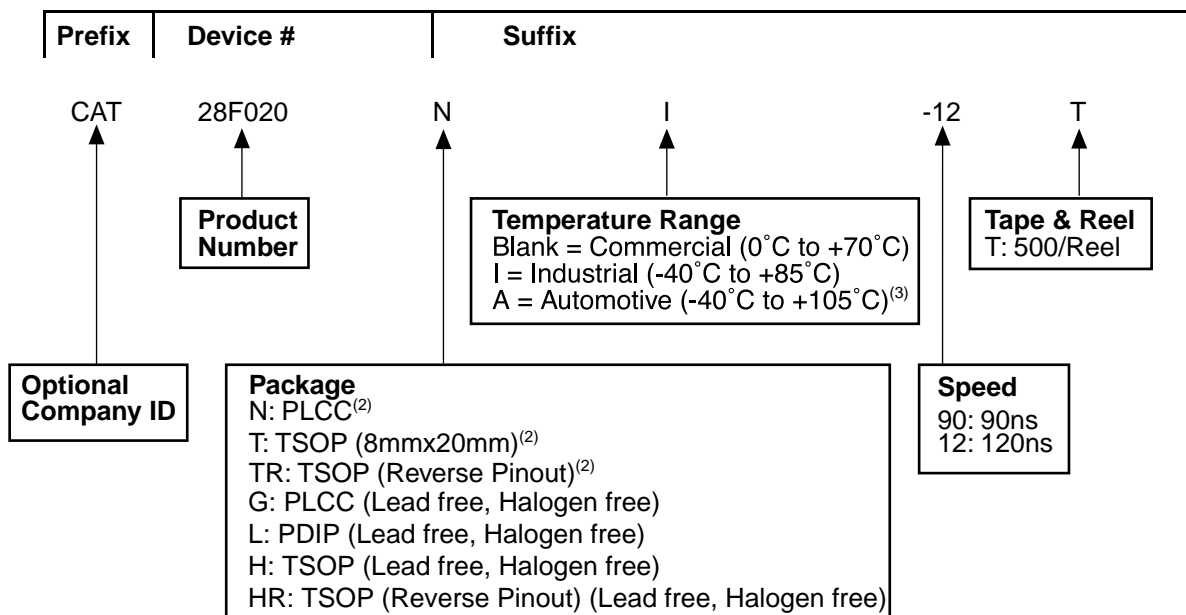


28F020 Eng

ALTERNATE  $\overline{CE}$ -CONTROLLED WRITES

JEDEC Symbol	Standard Symbol	Parameter	28F020-90			28F020-12			Unit
			Min	Typ	Max	Min	Typ	Max	
t <sub>AVAV</sub>	t <sub>WC</sub>	Write Cycle Time	90			120			ns
t <sub>AVEL</sub>	t <sub>AS</sub>	Address Setup Time	0			0			ns
t <sub>ELAX</sub>	t <sub>AH</sub>	Address Hold Time	40			40			ns
t <sub>DVEH</sub>	t <sub>DS</sub>	Data Setup Time	40			40			ns
t <sub>EHDX</sub>	t <sub>DH</sub>	Data Hold Time	10			10			ns
t <sub>EHGL</sub>	—	Write Recovery Time Before Read	6			6			μs
t <sub>GHEL</sub>	—	Read Recovery Time Before Write	0			0			μs
t <sub>WLEL</sub>	t <sub>WS</sub>	$\overline{WE}$ Setup Time Before $\overline{CE}$	0			0			ns
t <sub>EHWH</sub>	—	$\overline{WE}$ Hold Time After $\overline{CE}$	0			0			ns
t <sub>ELEH</sub>	t <sub>CP</sub>	Write Pulse Width	40			40			ns
t <sub>EHEL</sub>	t <sub>CPH</sub>	Write Pulse Width High	20			20			ns
t <sub>VPEL</sub>	—	V <sub>PP</sub> Setup Time to $\overline{CE}$ Low	100			100			ns

**EXAMPLE OF ORDERING INFORMATION<sup>(1)</sup>**



**ORDERING INFORMATION**


<b>Orderable Part Numbers</b> (for Pb-Free Devices)	
CAT28F020GA-12T	CAT28F020HRA-12T
CAT28F020GA-90T	CAT28F020HRA-90T
CAT28F020GI-12T	CAT28F020HRI-12T
CAT28F020GI-90T	CAT28F020HRI-90T
CAT28F020HA-12T	CAT28F020LA12
CAT28F020HA-90T	CAT28F020LA90
CAT28F020HI-12T	CAT28F020LI12
CAT28F020HI-90T	CAT28F020LI90

Notes:

- (1) The device used in the above example is a CAT28F020NI-12T (PLCC, Industrial Temperature, 120 ns access time, Tape & Reel).
- (2) Solder-plate (tin-lead) packages, contact Factory for availability.
- (3) -40°C to +125°C is available upon request.

**REVISION HISTORY**

Date	Revision	Description
1-May-02	A	Initial issue
10-Feb-04	B	Change $V_{CCMIN}$ for CAT28F020-90 to 4.75 V from 4.5 V
01-Jul-04	C	Added Green Packages in all areas.
15-Oct-08	D	Eliminate PDIP SnPb package.
17-Nov-08	E	Change logo and fine print to ON Semiconductor
31-Jul-09	F	Update Absolute Maximum Ratings Update Example of Ordering Information Update Ordering Information table

ON Semiconductor and  are registered trademarks of Semiconductor Components Industries, LLC (SCILLC). SCILLC reserves the right to make changes without further notice to any products herein. SCILLC makes no warranty, representation or guarantee regarding the suitability of its products for any particular purpose, nor does SCILLC assume any liability arising out of the application or use of any product or circuit, and specifically disclaims any and all liability, including without limitation special, consequential or incidental damages. "Typical" parameters which may be provided in SCILLC data sheets and/or specifications can and do vary in different applications and actual performance may vary over time. All operating parameters, including "Typicals" must be validated for each customer application by customer's technical experts. SCILLC does not convey any license under its patent rights nor the rights of others. SCILLC products are not designed, intended, or authorized for use as components in systems intended for surgical implant into the body, or other applications intended to support or sustain life, or for any other application in which the failure of the SCILLC product could create a situation where personal injury or death may occur. Should Buyer purchase or use SCILLC products for any such unintended or unauthorized application, Buyer shall indemnify and hold SCILLC and its officers, employees, subsidiaries, affiliates, and distributors harmless against all claims, costs, damages, and expenses, and reasonable attorney fees arising out of, directly or indirectly, any claim of personal injury or death associated with such unintended or unauthorized use, even if such claim alleges that SCILLC was negligent regarding the design or manufacture of the part. SCILLC is an Equal Opportunity/Affirmative Action Employer. This literature is subject to all applicable copyright laws and is not for resale in any manner.

**PUBLICATION ORDERING INFORMATION**

**LITERATURE FULFILLMENT:**

Literature Distribution Center for ON Semiconductor  
 P.O. Box 5163, Denver, Colorado 80217 USA  
**Phone:** 303-675-2175 or 800-344-3860 Toll Free USA/Canada  
**Fax:** 303-675-2176 or 800-344-3867 Toll Free USA/Canada  
**Email:** orderlit@onsemi.com

**N. American Technical Support:** 800-282-9855  
 Toll Free  
 USA/Canada

**Europe, Middle East and Africa Technical Support:**  
 Phone: 421 33 790 2910

**Japan Customer Focus Center:**  
 Phone: 81-3-5773-3850

**ON Semiconductor Website:** [www.onsemi.com](http://www.onsemi.com)

**Order Literature:** <http://www.onsemi.com/orderlit>

For additional information, please contact your local Sales Representative

# Mouser Electronics

Authorized Distributor

Click to View Pricing, Inventory, Delivery & Lifecycle Information:

[onsemi:](#)

[CAT28F020G90](#) [CAT28F020GI12](#) [CAT28F020H-12T](#) [CAT28F020L12](#) [CAT28F020LI90](#) [CAT28F020GI-90T](#)  
[CAT28F020LI12](#) [CAT28F020HR90](#) [CAT28F020H12](#) [CAT28F020G12](#) [CAT28F020H90](#) [CAT28F020G-90T](#)  
[CAT28F020L90](#) [CAT28F020HI12](#) [CAT28F020GI90](#) [CAT28F020GI-12T](#) [CAT28F020G-12T](#) [CAT28F020HRI-90](#)  
[CAT28F020HRI-12](#) [CAT28F020LA-12](#) [CAT28C512HI-15T](#) [CAT28F512GI-12T](#) [CAT28F020HR-12](#) [CAT28F020HI-90](#)  
[CAT28F020GA-12](#) [CAT28F020TI-90](#) [CAT28F020NA-12](#) [CAT28F020PA-12](#) [CAT28F020P-12](#) [CAT28F020P-90](#)  
[CAT28F020N-90](#) [CAT28F020TR-90](#) [CAT28F020TR-12](#) [CAT28F020T-12](#) [CAT28F020T-90](#) [CAT28F020TRI-90](#)  
[CAT28F020TRI-12](#)