

MAX6332/MAX6333/  
MAX6334

3-Pin, Ultra-Low-Voltage, Low-Power  
µP Reset Circuits

**Absolute Maximum Ratings**

Terminal Voltage (with respect to GND)	Operating Temperature Range.....	-40°C to +125°C
V <sub>CC</sub> .....	Storage Temperature Range.....	-65°C to +160°C
Push/Pull RESET, $\overline{\text{RESET}}$ .....	Lead Temperature (soldering, 10s).....	+300°C
Open-Drain RESET.....	Soldering Temperature (reflow)	
Input Current (V <sub>CC</sub> ).....	Lead(Pb)-free packages.....	+260°C
Output Current (RESET, $\overline{\text{RESET}}$ ).....	Packages containing lead (Pb).....	+240°C
Continuous Power Dissipation (T <sub>A</sub> = +70°C)		
SOT23-3 (derate 4mW/°C above +70°C).....		320mW

Stresses beyond those listed under "Absolute Maximum Ratings" may cause permanent damage to the device. These are stress ratings only, and functional operation of the device at these or any other conditions beyond those indicated in the operational sections of the specifications is not implied. Exposure to absolute maximum rating conditions for extended periods may affect device reliability.

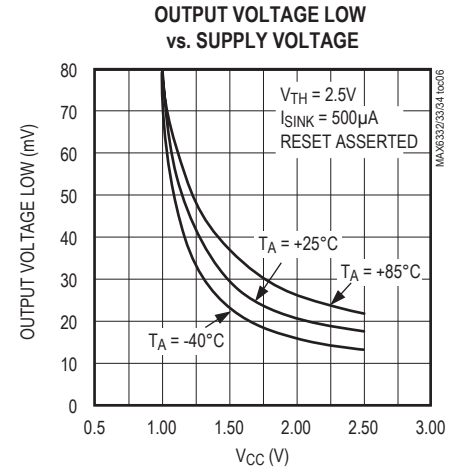
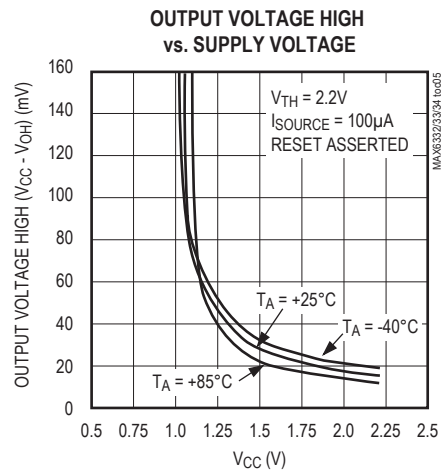
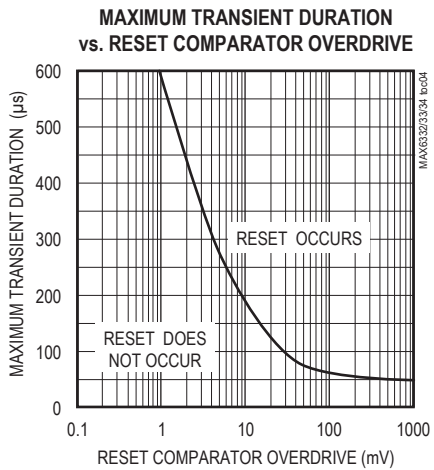
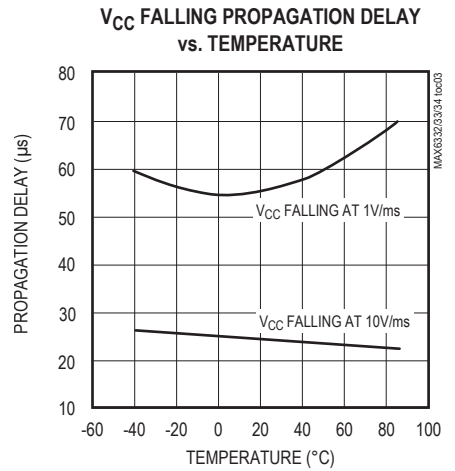
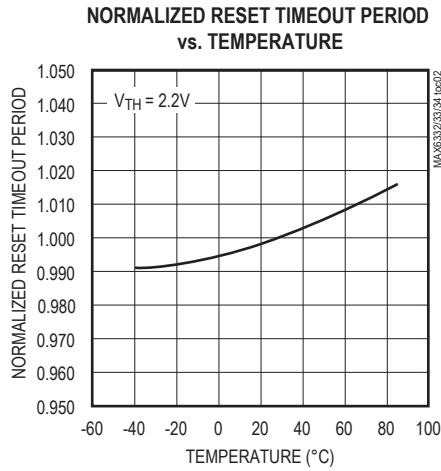
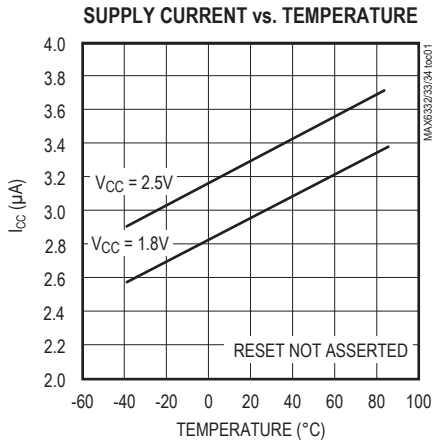
**Electrical Characteristics**

(V<sub>CC</sub> = full range, T<sub>A</sub> = -40°C to +125°C, unless otherwise noted. Typical values are at T<sub>A</sub> = +25°C and V<sub>CC</sub> = 3V, reset not asserted.)

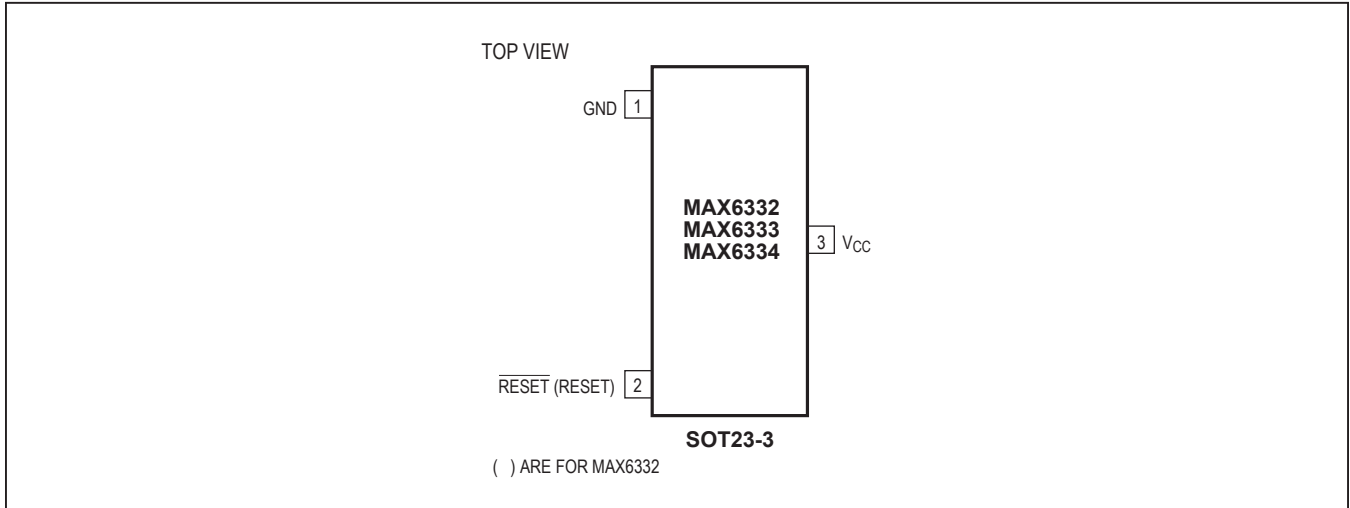
PARAMETER	SYMBOL	CONDITIONS		MIN	TYP	MAX	UNITS
Supply Voltage Range	V <sub>CC</sub>	T <sub>A</sub> = 0°C to +85°C	MAX6332/MAX6333	0.7		5.5	V
			MAX6334	1.0		5.5	
		T <sub>A</sub> = -40°C to +85°C	MAX6332/MAX6333	0.78		5.5	
			MAX6334	1.2		5.5	
Supply Current	I <sub>CC</sub>	No load	V <sub>CC</sub> = 1.8V		3.0	6.0	µA
			V <sub>CC</sub> = 2.5V		3.3	7.0	
Reset Threshold	V <sub>TH</sub>	MAX633_UR__D_-T, Table 1	T <sub>A</sub> = +25°C	V <sub>TH</sub> - 1.8%	V <sub>TH</sub>	V <sub>TH</sub> + 1.8%	V
			T <sub>A</sub> = -40°C to +125°C	V <sub>TH</sub> - 3%	V <sub>TH</sub>	V <sub>TH</sub> + 3%	
V <sub>CC</sub> Falling Reset Delay		V <sub>CC</sub> falling at 10V/ms			24		µs
Reset Active Timeout Period	t <sub>RP</sub>	MAX633_UR__D1-T		1	1.5	2	ms
		MAX633_UR__D2-T		20	30	40	
		MAX633_UR__D3-T		100	150	200	
$\overline{\text{RESET}}$ Output Low Voltage (MAX6333/MAX6334)	V <sub>OL</sub>	Reset asserted	I <sub>SINK</sub> = 50µA, V <sub>CC</sub> ≥ 1.0V			0.4	V
			I <sub>SINK</sub> = 500µA, V <sub>CC</sub> ≥ 1.8V			0.3	
$\overline{\text{RESET}}$ Output High Voltage (MAX6333)	V <sub>OH</sub>	Reset not asserted	I <sub>SOURCE</sub> = 200µA, V <sub>CC</sub> ≥ 1.8V	0.8 x V <sub>CC</sub>			V
			I <sub>SOURCE</sub> = 500µA, V <sub>CC</sub> ≥ 2.7V	0.8 x V <sub>CC</sub>			
RESET Output Voltage (MAX6332)	V <sub>OH</sub>	Reset asserted	I <sub>SOURCE</sub> = 1µA, V <sub>CC</sub> ≥ 1.0V	0.8 x V <sub>CC</sub>			V
			I <sub>SOURCE</sub> = 200µA, V <sub>CC</sub> ≥ 1.8V	0.8 x V <sub>CC</sub>			
	V <sub>OL</sub>	Reset not asserted	I <sub>SINK</sub> = 500µA, V <sub>CC</sub> ≥ 1.8V			0.3	
			I <sub>SINK</sub> = 1.2mA, V <sub>CC</sub> ≥ 2.7V			0.3	
$\overline{\text{RESET}}$ Output Leakage Current (MAX6334)		V <sub>CC</sub> > V <sub>TH</sub> , $\overline{\text{RESET}}$ not asserted				0.5	µA

### Typical Operating Characteristics

(Reset not asserted,  $T_A = +25^\circ\text{C}$ , unless otherwise noted.)



### Pin Configuration



### Pin Description

PIN		NAME	FUNCTION
MAX6332	MAX6333 MAX6334		
1	1	GND	Ground
—	2	$\overline{\text{RESET}}$	Active-Low Reset Output. $\overline{\text{RESET}}$ remains low while $V_{CC}$ is below the reset threshold and for a reset timeout period ( $t_{RP}$ ) after $V_{CC}$ rises above the reset threshold. $\overline{\text{RESET}}$ on the MAX6334 is open-drain.
2	—	RESET	Active-High Reset Output. RESET remains high while $V_{CC}$ is below the reset threshold and for a reset timeout period ( $t_{RP}$ ) after $V_{CC}$ rises above the reset threshold.
3	3	$V_{CC}$	Supply Voltage (0.7V to 5.5V)

## Applications Information

### Interfacing to μPs with Bidirectional Reset Pins

Since the  $\overline{\text{RESET}}$  output on the MAX6334 is open-drain, this device interfaces easily with μPs that have bidirectional reset pins, such as the Motorola 68HC11. Connecting the μP supervisor's  $\overline{\text{RESET}}$  output directly to the microcontroller's (μC's)  $\overline{\text{RESET}}$  pin with a single pullup resistor allows either device to assert reset (Figure 1).

### Negative-Going $V_{CC}$ Transients

In addition to issuing a reset to the μP during power-up, power-down, and brownout conditions, these devices are relatively immune to short-duration, negative-going  $V_{CC}$  transients (glitches). The *Typical Operating Characteristics* show the Maximum Transient Duration vs. Reset Comparator Overdrive graph. The graph shows the maximum pulse width that a negative-going  $V_{CC}$  transient may typically have without issuing a reset signal. As the amplitude of the transient increases, the maximum allowable pulse width decreases.

### Ensuring a Valid Reset Output Down to $V_{CC} = 0$

When  $V_{CC}$  falls below 1V and approaches the minimum operating voltage of 0.7V, push/pull-structured reset sinking (or sourcing) capabilities decrease drastically. High-impedance CMOS-logic inputs connected to the  $\overline{\text{RESET}}$  pin can drift to indeterminate voltages. This does not present a problem in most cases, since most μPs and circuitry do not operate at  $V_{CC}$  below 1V. For the MAX6333, where  $\overline{\text{RESET}}$  must be valid down to 0, adding a pull-down resistor between  $\overline{\text{RESET}}$  and GND removes stray leakage currents, holding  $\overline{\text{RESET}}$  low (Figure 2a). The pull-down resistor value is not critical; 100kΩ is large enough not to load  $\overline{\text{RESET}}$  and small enough to pull it low. For the MAX6332, where RESET must be valid to  $V_{CC} = 0$ , a 100kΩ pull-up resistor between RESET and  $V_{CC}$  will hold RESET high when  $V_{CC}$  falls below 0.7V (Figure 2b).

Since the MAX6334 has an open-drain, active-low output, it typically uses a pull-up resistor. With this device, RESET will most likely not maintain an active condition, but will drift to a non-active level due to the pull-up resistor and the reduced sinking capability of the open-drain device. Therefore, this device is not recommended for applications where the  $\overline{\text{RESET}}$  pin is required to be valid down to  $V_{CC} = 0$ .

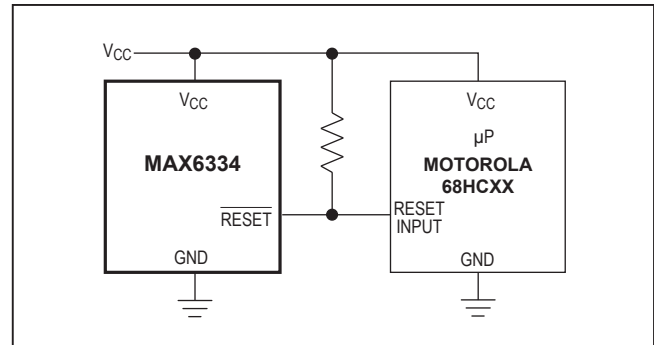


Figure 1. Interfacing to μPs with Bidirectional Reset Pins

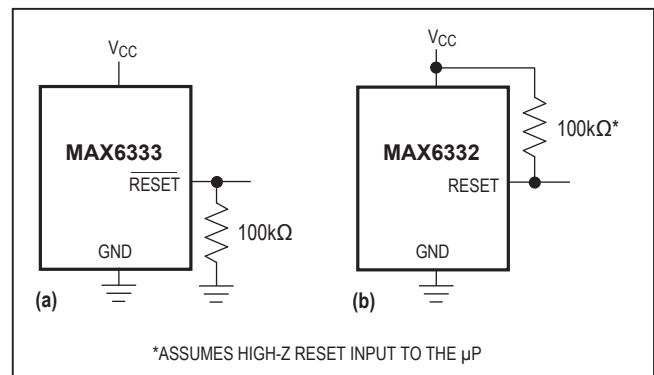


Figure 2. Ensuring Reset Valid Down to  $V_{CC} = 0$

Table 1. Factory-Trimmed Reset Thresholds\*

RESET-THRESHOLD SUFFIX	$T_A = +25^\circ\text{C}$			$T_A = -40^\circ\text{C}$ to $+125^\circ\text{C}$ BIT 4	
	MIN	TYP	MAX	MIN	MAX
MAX633_UR25D_	2.46	2.50	2.55	2.43	2.58
MAX633_UR24D_	2.36	2.40	2.44	2.33	2.47
MAX633_UR23D_	2.26	2.30	2.34	2.23	2.37
MAX633_UR22D_	2.16	2.20	2.24	2.13	2.27
MAX633_UR21D_	2.06	2.10	2.14	2.04	2.16
MAX633_UR20D_	1.96	2.00	2.04	1.94	2.06
MAX633_UR19D_	1.87	1.90	1.93	1.84	1.96
MAX633_UR18D_	1.77	1.80	1.83	1.75	1.85
MAX633_UR17D_	1.67	1.70	1.73	1.65	1.75
MAX633_UR16D_	1.57	1.60	1.63	1.55	1.65

\*Factory-trimmed reset thresholds are available in approximately 100mV increments, with a  $\pm 1.8\%$  room-temperature variance.

### Selector Guide (Standard Versions\*)

PART	OUTPUT STAGE	NOMINAL V <sub>TH</sub> (V)	MINIMUM RESET TIMEOUT (ms)	SOT TOP MARK
MAX6332UR23D3-T	Push/Pull RESET	2.30	100	FZDM
MAX6332UR22D3-T	Push/Pull RESET	2.20	100	FZCN
MAX6332UR20D3-T	Push/Pull RESET	2.00	100	FZDL
MAX6332UR18D3-T	Push/Pull RESET	1.80	100	FZCM
MAX6332UR16D3-T	Push/Pull RESET	1.60	100	FZCL
MAX6333UR23D3-T	Push/Pull $\overline{\text{RESET}}$	2.30	100	FZCS
MAX6333UR22D3-T	Push/Pull $\overline{\text{RESET}}$	2.20	100	FZCR
MAX6333UR20D3-T	Push/Pull $\overline{\text{RESET}}$	2.00	100	FZCQ
MAX6333UR18D3-T	Push/Pull $\overline{\text{RESET}}$	1.80	100	FZCP
MAX6333UR16D3-T	Push/Pull $\overline{\text{RESET}}$	1.60	100	FZCO
MAX6334UR23D3-T	Open-Drain $\overline{\text{RESET}}$	2.30	100	FZDO
MAX6334UR22D3-T	Open-Drain $\overline{\text{RESET}}$	2.20	100	FZCV
MAX6334UR20D3-T	Open-Drain $\overline{\text{RESET}}$	2.00	100	FZDN
MAX6334UR18D3-T	Open-Drain $\overline{\text{RESET}}$	1.80	100	FZCU
MAX6334UR16D3-T	Open-Drain $\overline{\text{RESET}}$	1.60	100	FZCT

\*Sample stock is generally held on all standard versions.

### Ordering Information

PART	TEMP RANGE	PIN-PACKAGE
MAX6332UR__D_-T	-40°C to +125°C	3 SOT23
MAX6333UR__D_-T	-40°C to +125°C	3 SOT23
MAX6334UR__D_-T	-40°C to +125°C	3 SOT23

\*These devices are available in factory-set V<sub>CC</sub> reset thresholds from 1.6V to 2.5V, in approximately 0.1V increments. Choose the desired reset threshold suffix from Table 1 and insert it in the blanks following "UR" in the part number. Factory-programmed reset timeout periods are also available. Insert the number corresponding to the desired nominal reset timeout period (1 = 1ms min, 2 = 20ms min, 3 = 100ms min) in the blank following "D" in the part number. There are 15 standard versions with a required order increment of 2500 pieces. Sample stock is generally held on the standard versions only (see Selector Guide). Contact the factory for availability of nonstandard versions (required order increment is 10,000 pieces). All devices available in tape-and-reel only.

Devices are available in both leaded and lead-free packaging. Specify lead-free by replacing "-T" with "+T" when ordering.

### Package Information

For the latest package outline information and land patterns (footprints), go to [www.maximintegrated.com/packages](http://www.maximintegrated.com/packages). Note that a "+", "#", or "-" in the package code indicates RoHS status only. Package drawings may show a different suffix character, but the drawing pertains to the package regardless of RoHS status.

PACKAGE TYPE	PACKAGE CODE	OUTLINE NO.	LAND PATTERN NO.
3 SOT23	U3+1	<a href="#">21-0051</a>	<a href="#">90-0179</a>

## Revision History

REVISION NUMBER	REVISION DATE	DESCRIPTION	PAGES CHANGED
0	12/98	Initial release	—
1	6/00	Revised <i>Ordering Information</i> , <i>Absolute Maximum Ratings</i> , <i>Electrical Characteristics</i> , and Table 1.	1, 2, 4
2	12/05	Revised <i>Ordering Information</i> to add lead-free information.	1
3	6/12	Update <i>Ordering Information</i> with automotive part.	1
4	2/16	Updated <i>Ordering Information</i> table and <i>Applications</i> section	1

For pricing, delivery, and ordering information, please contact Maxim Direct at 1-888-629-4642, or visit Maxim Integrated's website at [www.maximintegrated.com](http://www.maximintegrated.com).

Maxim Integrated cannot assume responsibility for use of any circuitry other than circuitry entirely embodied in a Maxim Integrated product. No circuit patent licenses are implied. Maxim Integrated reserves the right to change the circuitry and specifications without notice at any time. The parametric values (min and max limits) shown in the *Electrical Characteristics* table are guaranteed. Other parametric values quoted in this data sheet are provided for guidance.

# Mouser Electronics

Authorized Distributor

Click to View Pricing, Inventory, Delivery & Lifecycle Information:

## Maxim Integrated:

[MAX6333UR21D1+T](#) [MAX6332UR16D1+T](#) [MAX6332UR16D2+T](#) [MAX6332UR16D3+T](#) [MAX6332UR17D1+T](#)  
[MAX6332UR17D2+T](#) [MAX6332UR17D3+T](#) [MAX6332UR18D1+T](#) [MAX6332UR18D2+T](#) [MAX6332UR18D3+T](#)  
[MAX6332UR19D1+T](#) [MAX6332UR19D2+T](#) [MAX6332UR20D1+T](#) [MAX6332UR20D2+T](#) [MAX6332UR20D3+T](#)  
[MAX6332UR21D1+T](#) [MAX6332UR21D2+T](#) [MAX6332UR21D3+T](#) [MAX6332UR22D1+T](#) [MAX6332UR22D2+T](#)  
[MAX6332UR22D3+T](#) [MAX6332UR23D1+T](#) [MAX6332UR23D2+T](#) [MAX6332UR23D3+T](#) [MAX6332UR24D1+T](#)  
[MAX6332UR24D2+T](#) [MAX6332UR24D3+T](#) [MAX6332UR25D1+T](#) [MAX6332UR25D2+T](#) [MAX6332UR25D3+T](#)  
[MAX6333UR16D1+T](#) [MAX6333UR16D2+T](#) [MAX6333UR16D3+T](#) [MAX6333UR17D1+T](#) [MAX6333UR17D2+T](#)  
[MAX6333UR17D3+T](#) [MAX6333UR18D1+T](#) [MAX6333UR18D2+T](#) [MAX6333UR18D3+T](#) [MAX6333UR19D1+T](#)  
[MAX6333UR19D2+T](#) [MAX6333UR19D3+T](#) [MAX6333UR20D1+T](#) [MAX6333UR20D2+T](#) [MAX6333UR20D3+T](#)  
[MAX6333UR21D2+T](#) [MAX6333UR21D3+T](#) [MAX6333UR22D1+T](#) [MAX6333UR22D2+T](#) [MAX6333UR22D3+T](#)  
[MAX6333UR23D1+T](#) [MAX6333UR23D2+T](#) [MAX6333UR23D3+T](#) [MAX6333UR24D1+T](#) [MAX6333UR24D2+T](#)  
[MAX6333UR24D3+T](#) [MAX6333UR25D1+T](#) [MAX6333UR25D2+T](#) [MAX6333UR25D3+T](#) [MAX6334UR16D1+T](#)  
[MAX6334UR16D2+T](#) [MAX6334UR16D3+T](#) [MAX6334UR17D1+T](#) [MAX6334UR17D2+T](#) [MAX6334UR17D3+T](#)  
[MAX6334UR18D1+T](#) [MAX6334UR18D2+T](#) [MAX6334UR18D3+T](#) [MAX6334UR19D1+T](#) [MAX6334UR19D2+T](#)  
[MAX6334UR19D3+T](#) [MAX6334UR20D1+T](#) [MAX6334UR20D2+T](#) [MAX6334UR20D3+T](#) [MAX6334UR21D1+T](#)  
[MAX6334UR21D2+T](#) [MAX6334UR21D3+T](#) [MAX6334UR22D1+T](#) [MAX6334UR22D2+T](#) [MAX6334UR22D3+T](#)  
[MAX6334UR23D1+T](#) [MAX6334UR23D2+T](#) [MAX6334UR23D3+T](#) [MAX6334UR24D1+T](#) [MAX6334UR24D2+T](#)  
[MAX6334UR24D3+T](#) [MAX6334UR25D1+T](#) [MAX6334UR25D2+T](#) [MAX6334UR25D3+T](#)