

Minimum order unit (pcs.)	Japan	1,300
	Export	5,200

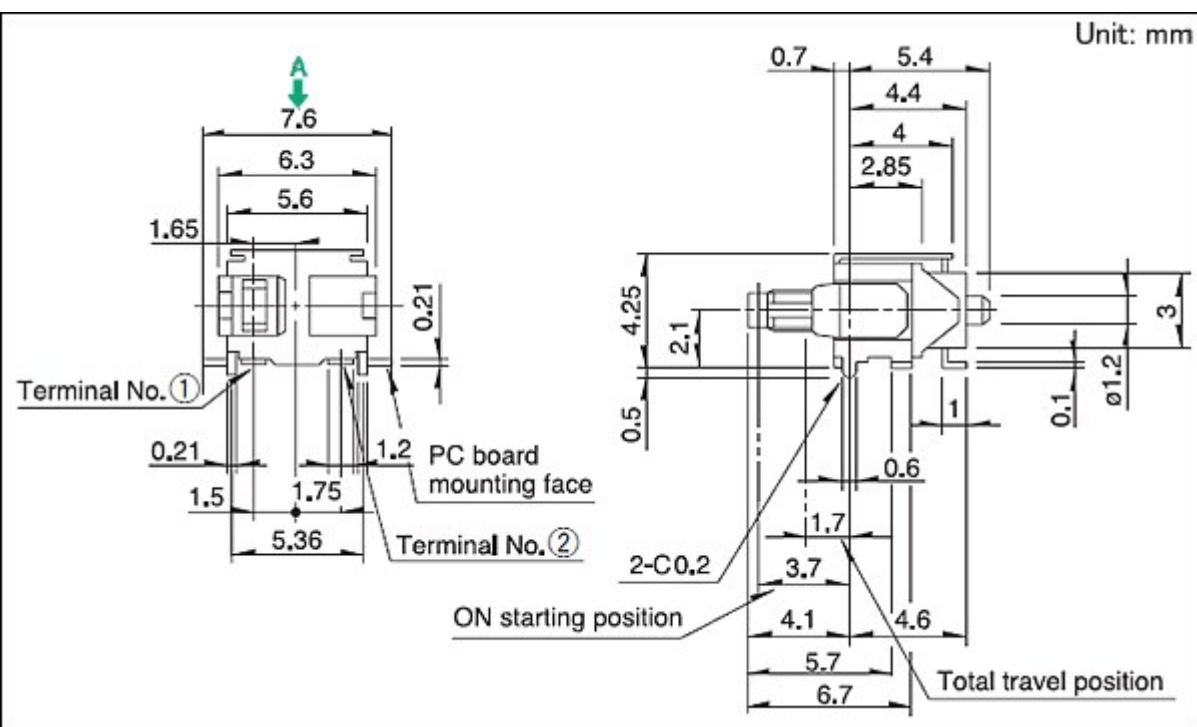
3D CAD (STEP) [↓](#)

Certificate of Compliance to RoHS regulations [↓](#)

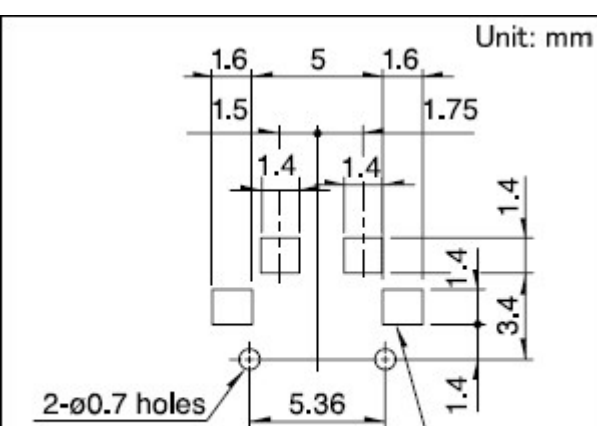
## Photo



## Dimensions

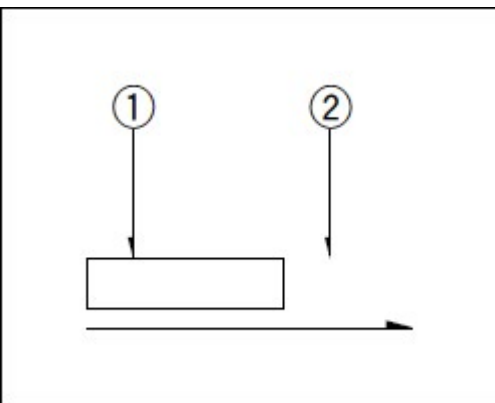


## Land Dimensions



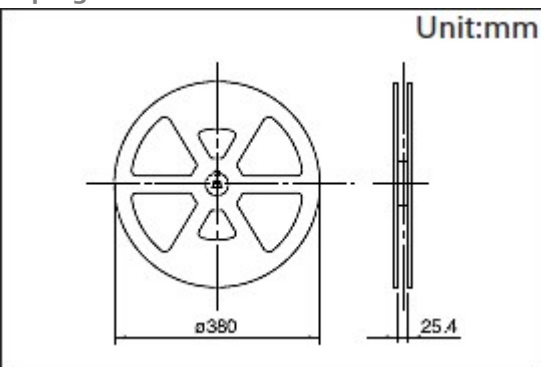
Viewed from direction A in the dimensions.

### Circuit Diagram



### Packing Specifications

#### Taping



Number of packages (pcs.)	1 reel	1,300
	1 case / Japan	2,600
	1 case / export packing	5,200
Tape width (mm)		24
Export package measurements (mm)		406×406×160

### Soldering Conditions

#### Example of Reflow Soldering Condition

##### 1. Heating method

Double heating method with infrared heater.

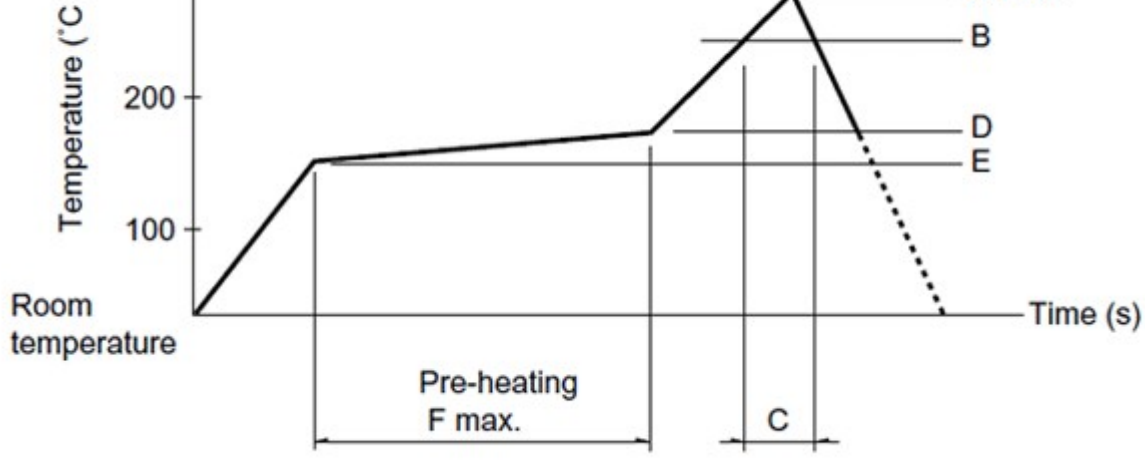
##### 2. Temperature measurement

Thermocouple 0.1 to 0.2VCA (K) or CC (T) at soldering portion (copper foil surface) . A heat resisting tape should be used for fixed measurement.

##### 3. Temperature profile

300

A max.



A(°C) 3s max.	B(°C)	C(s)	D(°C)	E(°C)	F(s)
250	230	40	180	150	120

- (1) The condition mentioned above is the temperature on the mounting surface of a PC board. There are cases where the PC board's temperature greatly differs from that of the switch, surface depending on the PC board's material, size, thickness, etc. The above-stated conditions shall also apply to switch surface temperatures.
- (2) Soldering conditions differ depending on reflow soldering machines. Prior verification of soldering condition is highly recommended.

**Reference for Hand Soldering**

Soldering temperature	350±5°C
Soldering time	5s max.

**Notes are common to this series/models.**

1. This site catalog shows only outline specifications. When using the products, please obtain formal specifications for supply.
2. Please place purchase orders per minimum order unit (integer).
3. This products can be used in vehicles.  
Although these products are designed to perform over a wide operating temperature range, please ensure that you receive and read the formal delivery specifications before use.

**Inquiries about Products**

[▶ Inquiry](#)

# Mouser Electronics

Authorized Distributor

Click to View Pricing, Inventory, Delivery & Lifecycle Information:

[Alps Alpine:](#)

[SPPB640201](#)