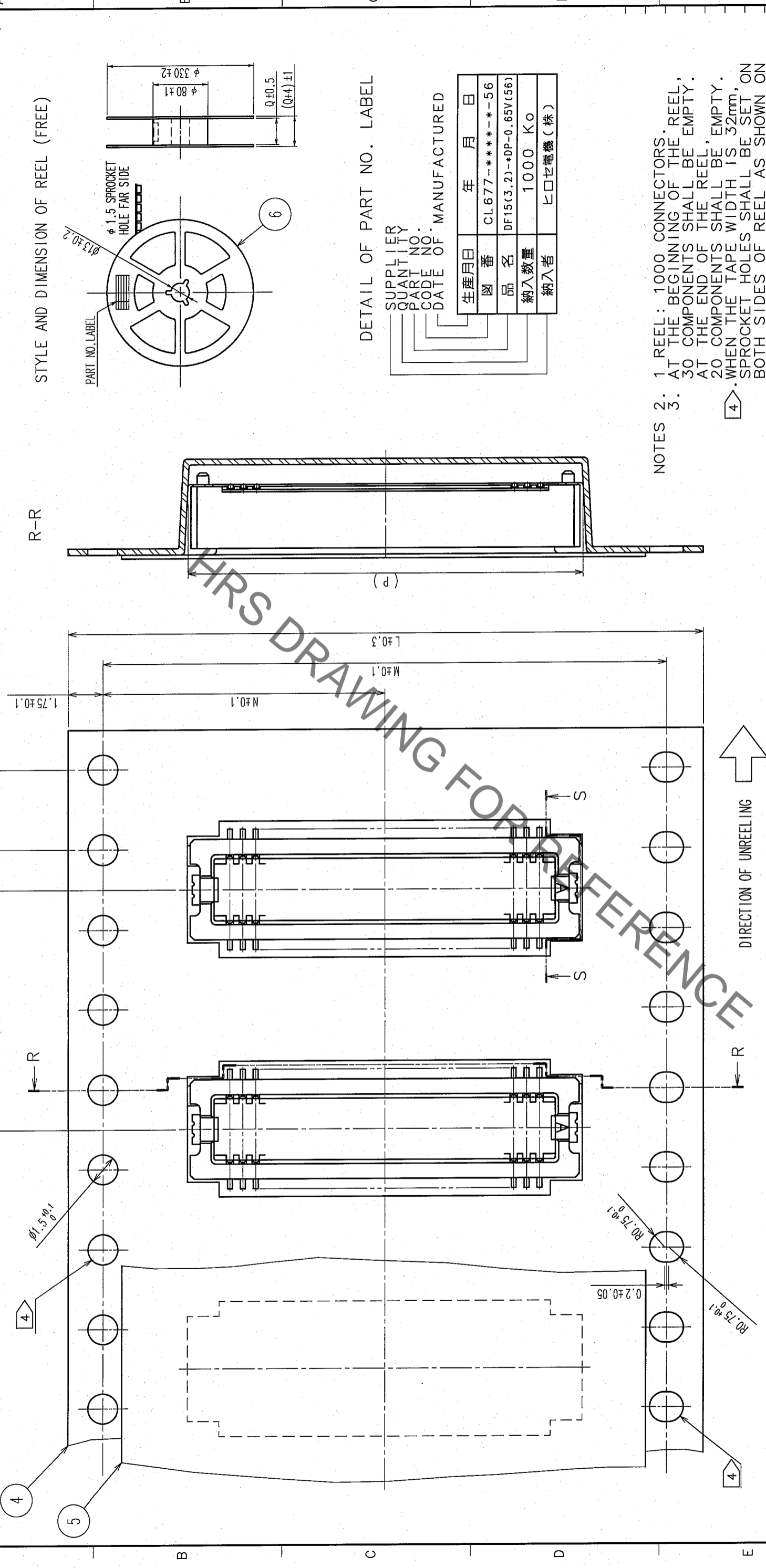
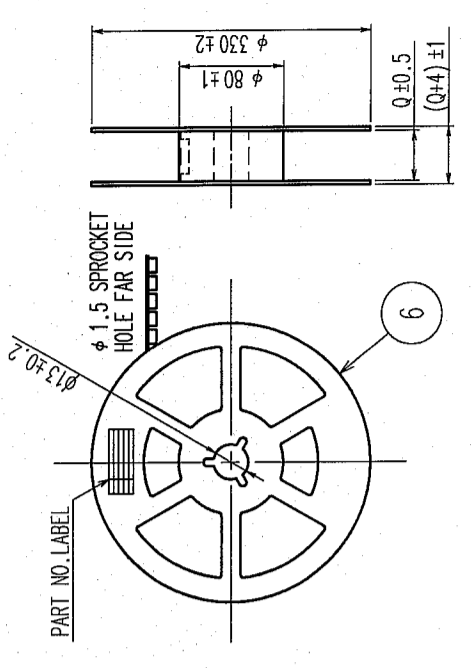


COUNT	DESCRIPTION OF REVISIONS	BY	CHKD	DATE	COUNT	DESCRIPTION OF REVISIONS	BY	CHKD	DATE



STYLE AND DIMENSION OF REEL (FREE)



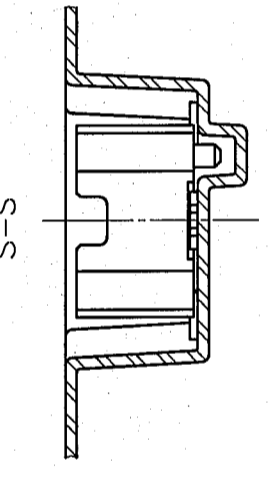
DETAIL OF PART NO. LABEL

SUPPLIER
QUANTITY
PART NO.
CODE NO.
DATE OF MANUFACTURED

生産月日	年月日
図番	CL677-***--56
品名	DF15(3.2)-*DP-0.65V(56)
納入数量	1000 K0
納入者	ヒロセ電機(株)

- NOTES
- 1 REEL: 1000 CONNECTORS.
 - 2 AT THE BEGINNING OF THE REEL, 30 COMPONENTS SHALL BE EMPTY.
 - 3 AT THE END OF THE REEL, 20 COMPONENTS SHALL BE EMPTY.
 - 4 WHEN THE TAPE WIDTH IS 32mm, SPROCKET HOLES SHALL BE SET ON BOTH SIDES OF REEL AS SHOWN ON THIS DRAWING.
 5. PEEL FORCE REFERS TO JIS C 0806.

PART NO.	CODE NO.	L	M	N	P	Q
DF15(3.2)-20DP-0.65V(56)	CL677-0082-0-56	16.0	-	7.5	10.15	17.5
DF15(3.2)-30DP-0.65V(56)	CL677-0083-2-56	24.0	-	11.5	13.4	25.5
DF15(3.2)-40DP-0.65V(56)	CL677-0084-5-56	24.0	-	11.5	16.65	25.5
DF15(3.2)-50DP-0.65V(56)	CL677-0085-8-56	32.0	28.4	14.2	19.9	33.5



CODE NO. (OLD)	DESIGNED	CHECKED	APPROVED	RELEASED
	A. Maruyama	J. Miyagaki	K. Ikeda	
DRAWING NO.	DRAWN			
EDC3-302773-05				
PART NO.				
DF15(3.2)-*DP-0.65V(56)				
SCALE				
5 : 1				
UNITS				
mm				
HIROSE ELECTRIC CO., LTD				
CL677				
2/2				

Mouser Electronics

Authorized Distributor

Click to View Pricing, Inventory, Delivery & Lifecycle Information:

[Hirose Electric:](#)

[DF15\(3.2\)-20DP-0.65V\(56\)](#) [DF15\(3.2\)-30DP-0.65V\(56\)](#) [DF15\(3.2\)-40DP-0.65V\(56\)](#) [DF15\(3.2\)-50DP-0.65V\(56\)](#)