

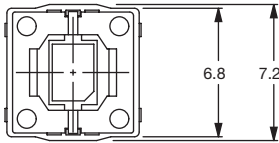
ITS Series Illuminated Tact Switch

LED COLOR / BRIGHTNESS

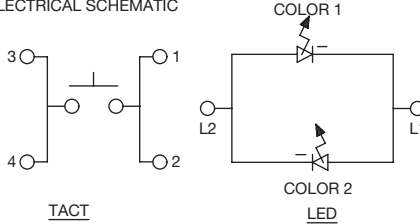
| LED Characteristic | units | Standard LED Color Options | | | | | |
|--|-----------|----------------------------|-----------------|-----------------|-----------------|---|-----------------|
| | | Red (1) | Yellow (2) | Green (3) | Blue (4) | White (5) | True Green (6) |
| Recommended Operating | mA @ 5VDC | 20mA | 20mA | 20mA | 20mA | 20mA | 20mA |
| Forward Current | mA | 30 mA | 30 mA | 30 mA | 30 mA | 30 mA | 30 mA |
| Peak Pulsing Current (1/8 duty @ 1kHz) | mA | 125 mA | 125 mA | 125 mA | 125 mA | 125 mA | 125 mA |
| Power Dissipation | mW | 75 mW | 75 mW | 75 mW | 108 mW | 108 mW | 108 mW |
| Forward Voltage @ 20mA | Volts | 2.5 Volts Max. | 2.5 Volts Max. | 2.5 Volts Max. | 3.6 Volts Max. | 3.6 Volts Max. | 3.6 Volts Max. |
| Dominant Wavelength @ 20mA | nm | 637nm (Typical) | 590nm (Typical) | 570nm (Typical) | 465nm (Typical) | CIE Coordinates X= 0.25 ~ 0.33 Y= 0.24 ~ 0.34 | 522nm (Typical) |
| Wavelength at Peak Emission @ 20mA | nm | 645nm (Typical) | 590nm (Typical) | 573nm (Typical) | 460nm (Typical) | | 515nm (Typical) |
| Spectral Half Bandwidth @ 20mA | nm | 20nm (Typical) | 20nm (Typical) | 17nm (Typical) | 25nm (Typical) | | 33nm (Typical) |
| Luminous Intensity @ 20mA | mcd | 50mcd Minimum | 125mcd Minimum | 40mcd Minimum | 100mcd Minimum | 250mcd Minimum | 500mcd Minimum |
| Viewing Angle at 50% LV (@10mA) | degrees | 150° Typical | 120° Typical | 120° Typical | 120° Typical | 150° Typical | 120° Typical |

MOUNTING STYLES

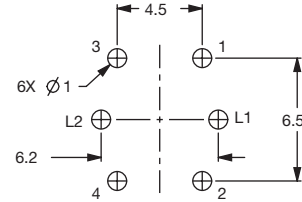
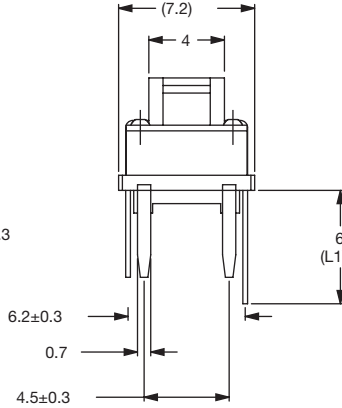
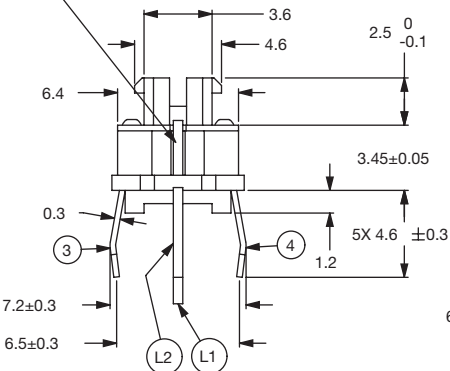
V1 - Vertical Thru-hole



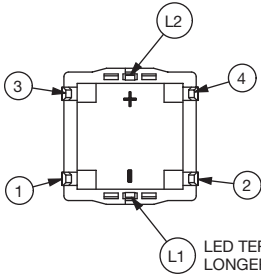
ELECTRICAL SCHEMATIC



DOT SHOWING LED COLOR IS MARKED FOR MINUS POLE SEE SCHEMATIC



P.C.B. LAYOUT

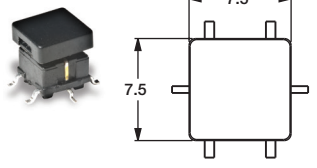
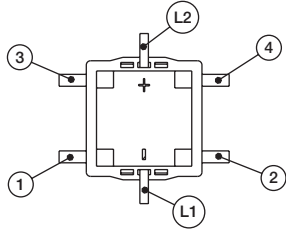
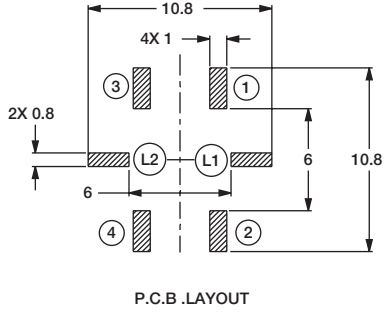
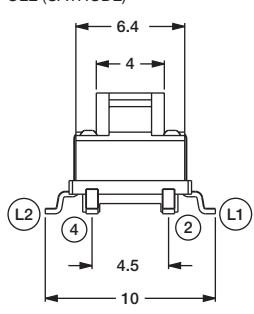
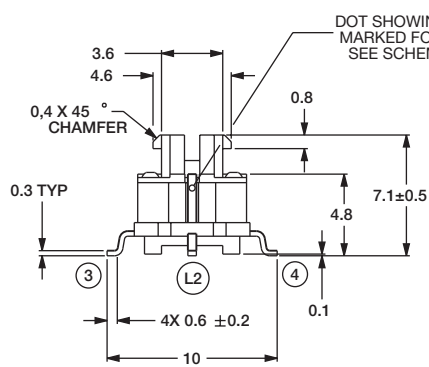
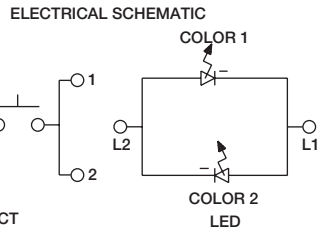
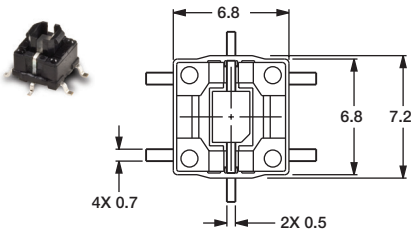


TRAY PACKAGING: 200 PIECES

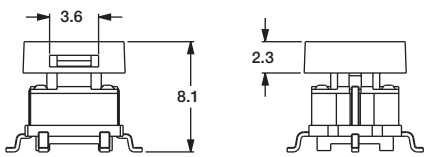
MOUNTING STYLES

B
Tactile Switches

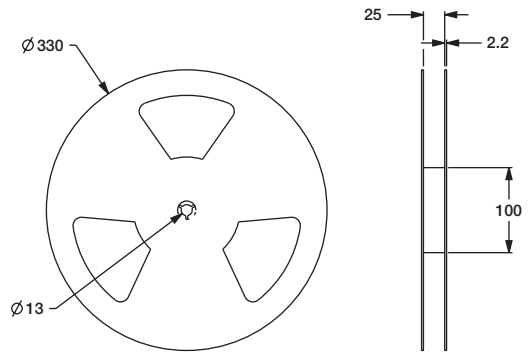
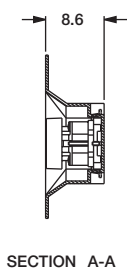
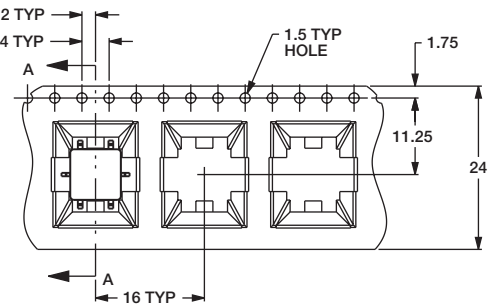
V2 - Vertical SMT; Gullwing



TAPE & REEL: 500 PIECES



NOTES:
1. SWITCH WITH TEMPORARY PICK AND PLACE CAP.

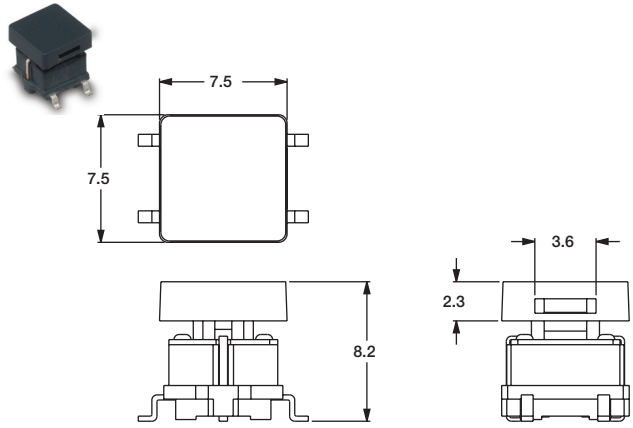
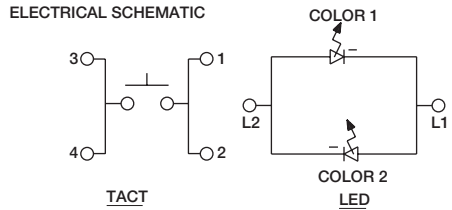
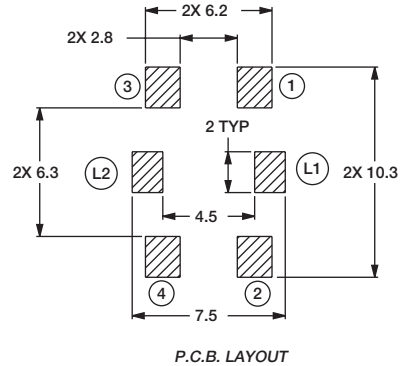
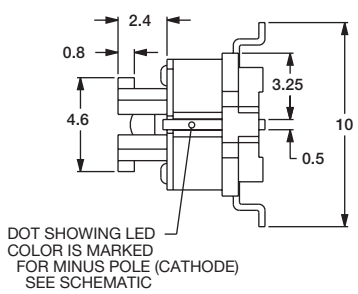
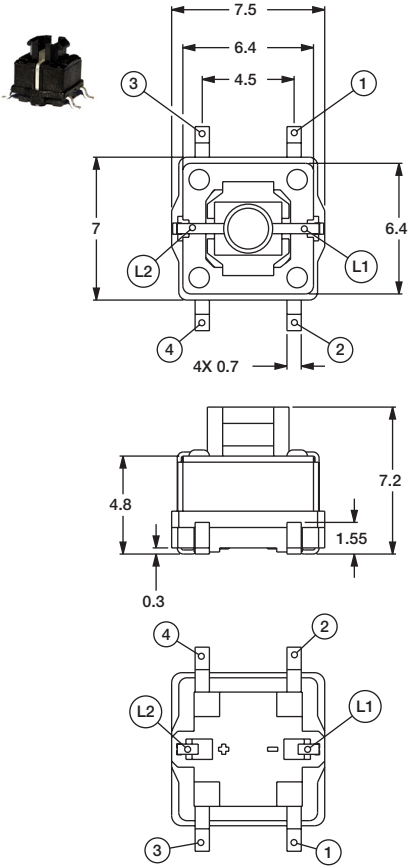


ITS Series Illuminated Tact Switch

MOUNTING STYLES

V3 - Vertical SMT; Gull wing with J bend LED

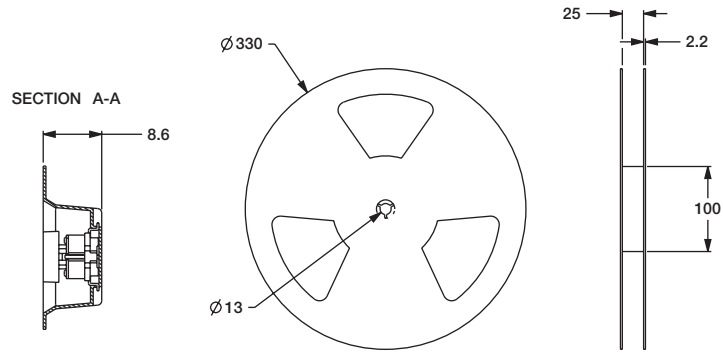
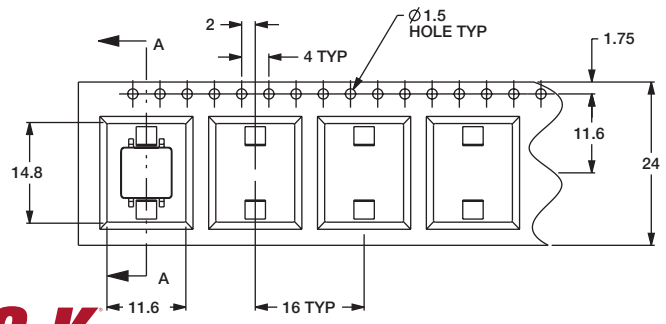
Tactile Switches B



SCALE 3:1

TAPE & REEL: 500 PIECES

NOTES:
1. SWITCH WITH TEMPORARY PICK AND PLACE CAP.



3 Dec 21

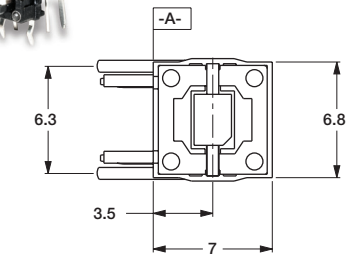
B-162

Dimensions are shown: mm
Specifications and dimensions subject to change

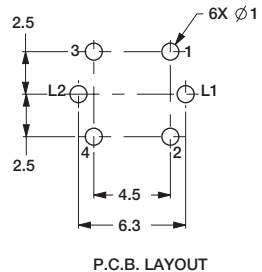
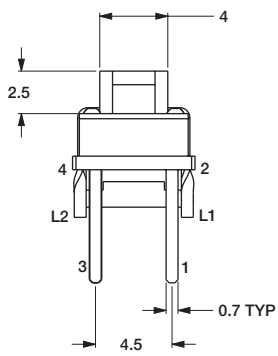
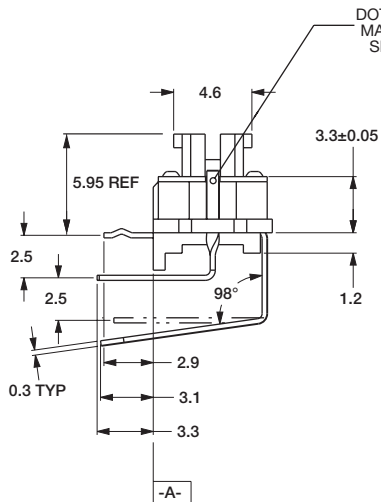
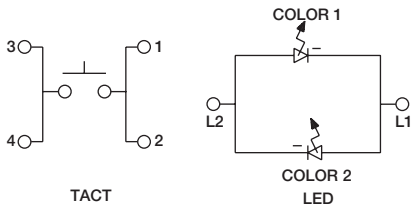
www.ckswitches.com

MOUNTING STYLES

R1 - Right Angle; Thru-hole

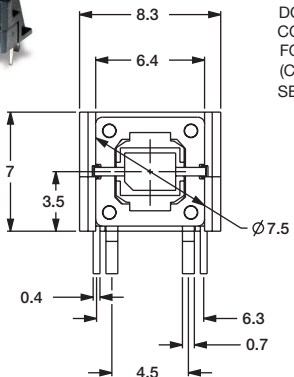


ELECTRICAL SCHEMATIC

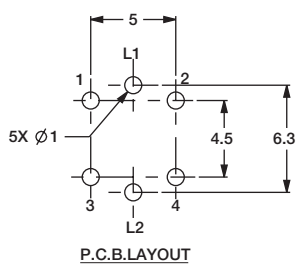
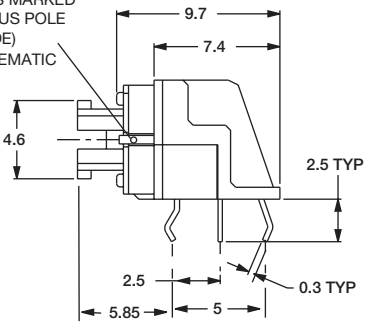


TRAY PACKAGING: 200 PIECES

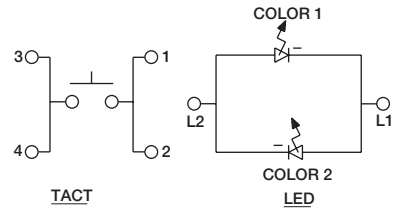
R2 - Right Angle; Thru-hole 2.5mm leads



DOT SHOWING LED COLOR IS MARKED FOR MINUS POLE (CATHODE) SEE SCHEMATIC



ELECTRICAL SCHEMATIC



TRAY PACKAGING: 200 PIECES

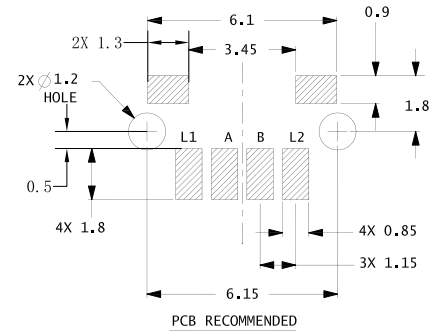
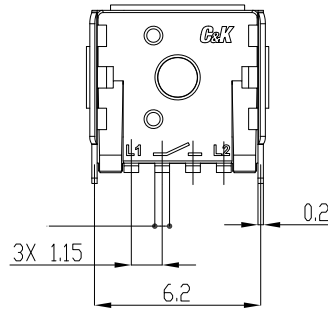
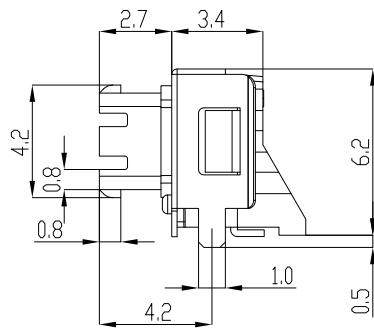
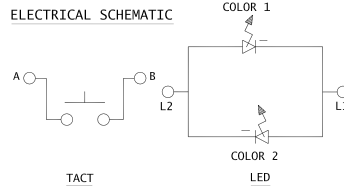
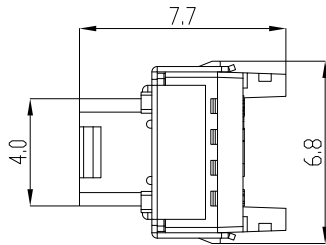
ITS Series Illuminated Tact Switch

MOUNTING STYLES

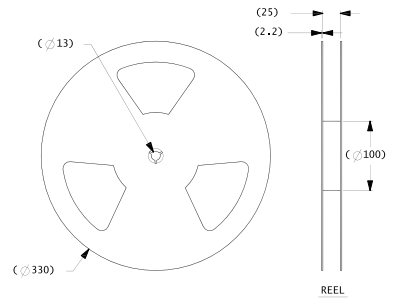
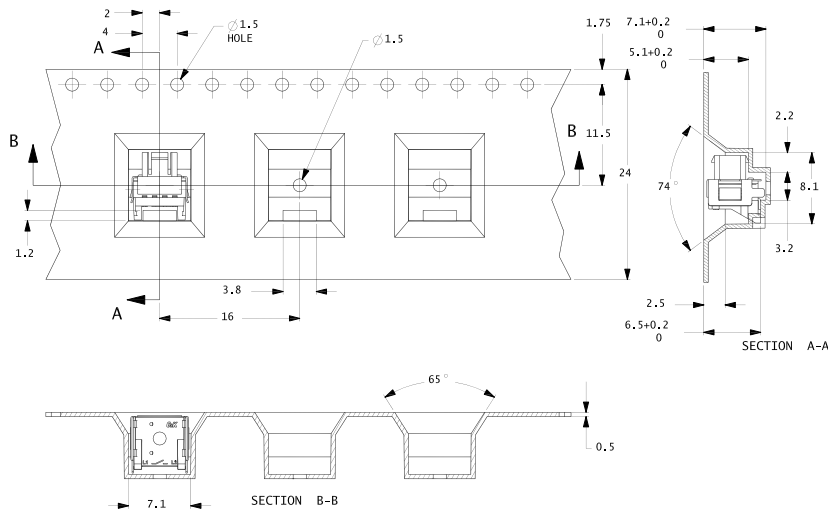
R3N - Right Angle, SMT



Tactile Switches



TAPE & REEL: 500 PIECES



FORCE

| OPTION CODE | FORCE |
|-------------|--|
| S | Standard 160 gf - V1, V2, V3, R1, R2 options 220 gf - R3N option |

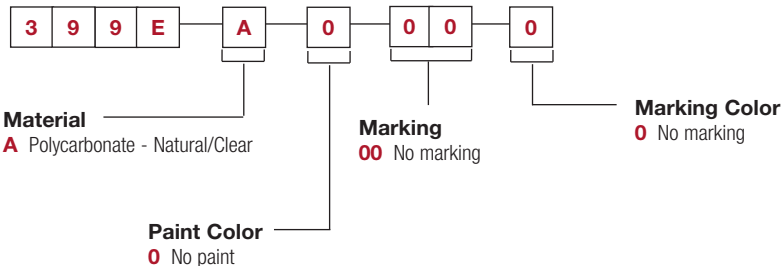
CAPS

Tactile Switches

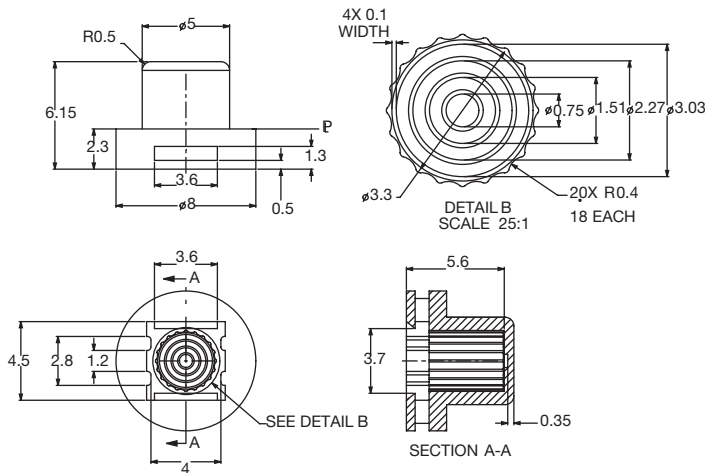
Use the individual ordering code for each cap



399EA0000*
Round cap, clear



* Not to be used with right angle versions



ITS Series Illuminated Tact Switch

CAPS



400EA0000

Natural/clear



400EB0000

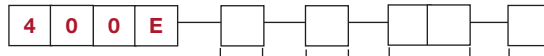
Translucent white, flat edge



400ECA01E

Matte silver paint laser etch, flat edge

* All caps not to be used to R3N



Material

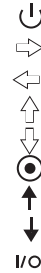
- A** Natural/Clear - polycarbonate*
- B** Translucent white - polycarbonate*
- C** Silver paint laser etch - polycarbonate

Paint Color

- 0** No paint*
- A** Matte silver

Laser Etch Marking

- 00** No marking
- 01** Power On/Off
- 04** Arrow right
- 05** Arrow left
- 06** Arrow up
- 07** Arrow down
- 09** Power
- 33** Arrow up (fill)
- 34** Arrow down (fill)
- 97** I/O



Marking Color

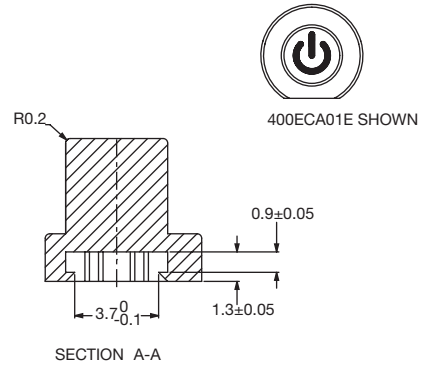
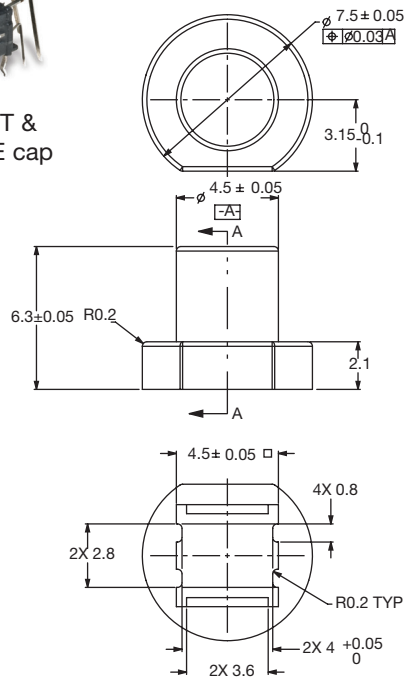
- 0** No marking
- E** Laser etch (painted caps only)

* Material A has only one part number 400EA0000
 * Material B has only one part number 400EB0000
 * Paint color option 0 is not available for 400EC

Tactile Switches

B

ITSXXFR1ST &
400ECA01E cap



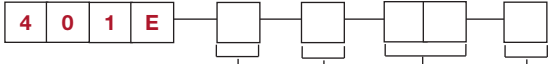
400E cap dimensions shown are "as molded" (no paint).

CAPS



401ECA06E

Matte silver paint, laser etch,
tall oval



Material

- A** Natural/clear - polycarbonate*
- B** Translucent white - polycarbonate*
- C** Paint laser etch - polycarbonate

Paint Color

- 0** No paint*
- A** Matte silver

**Laser Etch
Marking**

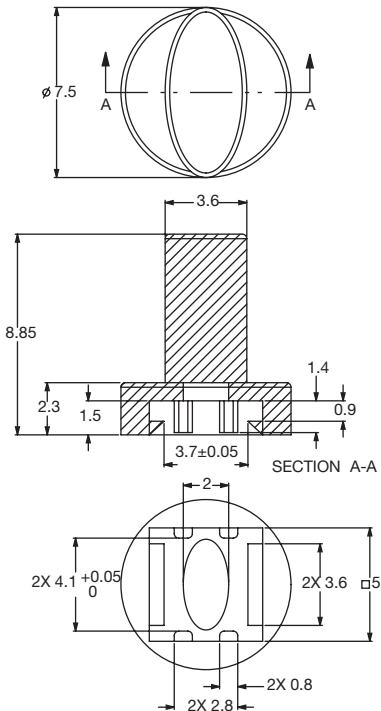
- 00** No marking
- 06** Arrow up
- 07** Arrow down
- 33** Arrow up (fill)
- 34** Arrow down (fill)



Marking Color

- 0** No marking
- E** Laser etch (painted caps only)

* Material A has only one part number 400EA0000
 * Material B has only one part number 400EB0000
 * Paint color option 0 is not available for 400EC



401E cap dimensions shown are "as molded" (no paint).

Mouser Electronics

Authorized Distributor

Click to View Pricing, Inventory, Delivery & Lifecycle Information:

C&K Switches:

[ITS23FR2ST](#) [ITS50FR1ST](#) [ITS50FV1ST](#) [ITS13FV2SR](#) [ITS40FV1ST](#) [ITS13FR2ST](#) [ITS50FR2ST](#) [ITS23FV2SR](#)
[ITS13FV3SR](#) [ITS40FR2ST](#) [ITS40FR1ST](#) [ITS23FR1ST](#) [ITS50FV2SR](#) [ITS50FV3SR](#) [ITS23FV3SR](#) [ITS23FV1ST](#)
[ITS13FR1ST](#) [ITS40FV2SR](#) [ITS13FV1ST](#) [ITS40FV3SR](#)