

Fault-Protected Analog Multiplexer

ABSOLUTE MAXIMUM RATINGS

| | | | |
|---|------|--|--|
| Voltage between Supply Pins | +44V | Continuous Current, S or D | 20mA |
| V ⁺ | +22V | Peak Current, S or D | (Pulsed at 1ms, 10% duty cycle max) 40mA |
| V ⁻ | -22V | Power Dissipation (Note 1) (CERDIP) | 1.28W |
| Digital Input Overvoltage: | | Operating Temperature Range: | |
| V _{EN} , V _A { V _{Supply(+)} | +4V | MAX358/359M; HI-508A/509A-2, -8 | -55°C to +125°C |
| { V _{Supply(-)} | -4V | MAX358/359C; HI-508A/509A-5 | 0°C to +75°C |
| Analog Input Overvoltage with Multiplexer Power On: | | MAX358/359E | -40°C to +85°C |
| V _S { V _{Supply(+)} | +20V | Storage Temperature Range | -65°C to +150°C |
| { V _{Supply(-)} | -20V | | |
| Analog Input Overvoltage with Multiplexer Power Off: | | Note 1: Derate 12.8mW/°C above T _A = +75°C | |
| V _S { V _{Supply(+)} | +35V | | |
| { V _{Supply(-)} | -35V | | |

Stresses above those listed under "Absolute Maximum Ratings" may cause permanent damage to the device. These are stress ratings only and functional operation of the device at these or any other conditions above those indicated in the operational sections of the specifications is not implied. Exposure to absolute maximum rating conditions for extended periods may affect device reliability.

ELECTRICAL CHARACTERISTICS: HI-508A/509A (See facing page for MAX358/359.)

Supplies = +15V, -15V; V_{AH} (Logic Level High) = +4.0V, V_{AL} (Logic Level Low) = +0.8V (unless otherwise noted).

| PARAMETER | SYMBOL | CONDITIONS | TEMP | -55°C to +125°C | | | 0°C to +75°C | | | UNITS | |
|---|-----------------------------------|--|-----------------------|-----------------|-----|------|--------------|-----|-----|-------|----------|
| | | | | MIN | TYP | MAX | MIN | TYP | MAX | | |
| STATIC | | | | | | | | | | | |
| ON Resistance | r _{DS(ON)} | V _D = ±10V, I _S = 100μA V _{AL} = 0.8V, V _{AH} = 4V | +25°C Full | 1.2 | 1.5 | 1.5 | 1.8 | 1.5 | 1.8 | 2.0 | kΩ |
| OFF Input Leakage Current | I _{S(OFF)} | V _S = ±10V, V _D = ∓10V V _{EN} = 0.8V (Note 2) | +25°C Full | 0.03 | 50 | 0.03 | 50 | | | | nA |
| OFF Output Leakage Current | I _{D(OFF)} | V _D = ±10V, V _S = ∓10V V _{EN} = 0.8V HI-508A HI-509A (Note 2) | +25°C Full Full | 0.1 | 200 | 0.1 | 200 | | | | nA |
| ON Channel Leakage Current | I _{D(ON)} | V _{S(ALL)} = V _D = ±10V (Note 2) V _{AH} = V _{EN} = 4V V _{AL} = 0.8V HI-508A HI-509A | +25°C Full Full | 0.1 | 200 | 0.1 | 200 | | | | nA |
| Analog Signal Range | V _{AN} | | Full | -15 | +15 | -15 | +15 | | | | V |
| Differential, OFF Output Leakage Current | I _{DIFF} | (HI-509A only) | Full | | 50 | | 50 | | | | nA |
| FAULT | | | | | | | | | | | |
| Output Leakage Current (with Overvoltage) | I _{D(OFF)} | V _D = 0V Analog Overvoltage = ±33V | +25°C Full | 4.0 | 2.0 | 4.0 | | | | | nA μA |
| INPUT | | | | | | | | | | | |
| Input Low Threshold | V _{AL} | (Note 3) | Full | | 0.8 | | 0.8 | | | | V |
| Input High Threshold | V _{AH} | | Full | 4.0 | | 4.0 | | | | | V |
| Input Leakage Current (High or Low) | I _A | V _A = 4V or 0V (Note 4) | Full | | 1.0 | | 1.0 | | | | μA |
| DYNAMIC | | | | | | | | | | | |
| Access Time | t _A | | +25°C | 0.5 | 1.0 | 0.5 | 1.0 | | | | μs |
| Break-Before-Make Delay | t _{ON} -t _{OFF} | V _{EN} = +5V, V _{IN} = ±10V A ₀ , A ₁ , A ₂ Strobed | +25°C | 25 | 80 | 25 | 80 | | | | ns |
| Enable Delay (ON) | t _{ON(EN)} | | +25°C Full | 300 | 500 | 300 | 1000 | | | | ns |
| Enable Delay (OFF) | t _{OFF(EN)} | | +25°C Full | 300 | 500 | 300 | 1000 | | | | ns |
| Settling Time (0.1%) (0.01%) | t _{SETT} | | +25°C | 1.2 | 3.5 | 1.2 | 3.5 | | | | μs |

Note 2: Ten nanoamps is the practical lower limit for high speed measurement in the production test environment.

Note 3: To drive from DTL/TTL Circuits, 1kΩ pull-up resistors to +5.0V supply are recommended.

Note 4: Digital input leakage is primarily due to the clamp diodes. Typical leakage is less than 1nA at +25°C.

Fault-Protected Analog Multiplexer

- ◆ Only Nanoamps of Leakage Under Fault Conditions
- ◆ All Switches OFF With Power Supplies Off
- ◆ Channel Turns OFF When Overvoltage Occurs
- ◆ TTL Compatible, No Pullups Required
- ◆ Significantly Reduced Power Consumption
- ◆ ±4.5V to ±18V Operation

ABSOLUTE MAXIMUM RATINGS: This device conforms to the Absolute Maximum Ratings on adjacent page.
ELECTRICAL CHARACTERISTICS: MAX358/359 (See facing page for HI-508A/509A.)
 Specifications below satisfy or exceed all "tested" parameters on adjacent page.
 Supplies = +15V, -15V; V_{AH} (Logic Level High) = +2.4V, V_{AL} (Logic Level Low) = +0.8V (unless otherwise noted).

| PARAMETER | SYMBOL | CONDITIONS | TEMP | -55°C to +125°C | | | 0°C to +75°C and -40°C to +85°C | | | UNITS |
|---|--------------------|--|-------------------------------|-----------------|-------------------|-----|---------------------------------|-------------------|-----|---------------|
| | | | | MIN | TYP | MAX | MIN | TYP | MAX | |
| STATIC | | | | | | | | | | |
| ON Resistance | $r_{DS(ON)}$ | $V_D = \pm 10V, I_S = 100\mu A$ $V_{AL} = 0.8V, V_{AH} = 2.4V$ | +25°C Full | 1.2 1.5 | 1.5 1.8 | | 1.5 1.8 | 1.8 2.0 | | k Ω |
| OFF Input Leakage Current | $I_{S(OFF)}$ | $V_S = \pm 10V, V_D = \mp 10V$ $V_{EN} = 0.8V$ | +25°C Full | 0.03 | 0.5 50 | | 0.03 | 1.0 50 | | nA |
| OFF Output Leakage Current | $I_{D(OFF)}$ | $V_D = \pm 10V, V_S = \mp 10V$ $V_{EN} = 0.8V$ MAX358 MAX359 | +25°C Full Full | 0.1 | 1.0 200 100 | | 0.1 | 2.0 200 100 | | nA |
| ON Channel Leakage Current | $I_{D(ON)}$ | $V_{S(ALL)} = V_D = \pm 10V$ (Note 2) $V_{AH} = V_{EN} = 2.4V$ $V_{AL} = 0.8V$ MAX358 MAX359 | +25°C Full Full Full | 0.1 | 2.0 200 100 | | 0.1 | 5.0 200 100 | | nA |
| Analog Signal Range | V_{AN} | (Note 1) | Full | -15 | +15 | | -15 | +15 | | V |
| Differential, OFF Output Leakage Current | I_{DIFF} | MAX359 only | Full | | 50 | | | 50 | | nA |
| FAULT | | | | | | | | | | |
| Output Leakage Current (with Overvoltage) | $I_{D(OFF)}$ | $V_D = 0V$ (Note 2) Analog Overvoltage = ±33V | +25°C Full | 4.0 | 2.0 | | 4.0 | | | nA μA |
| Input Leakage Current (with Overvoltage) | $I_{S(OFF)}$ | $V_{IN} = \pm 25V, V_O = \pm 10V$ (Note 2) | +25°C | | 5.0 | | | 10 | | μA |
| Input Leakage Current (w. Power Supplies Off) | $I_{S(OFF)}$ | $V_{IN} = \pm 25V, V_{EN} = V_O = 0V$ $A_0 = A_1 = A_2 = 0V$ or 5V | +25°C | | 2.0 | | | 5.0 | | μA |
| INPUT | | | | | | | | | | |
| Input Low Threshold | V_{AL} | | Full | | 0.8 | | | 0.8 | | V |
| Input High Threshold | V_{AH} | | Full | 2.4 | | | 2.4 | | | V |
| Input Leakage Current (High or Low) | I_A | $V_A = 4V$ or 0V (Note 4) | Full | | 1.0 | | | 1.0 | | μA |
| DYNAMIC | | | | | | | | | | |
| Access Time | t_A | (Figure 1) | +25°C | 0.5 | 1.0 | | 0.5 | 1.0 | | μs |
| Break-Before-Make Delay (Figure 2) | $t_{ON} - t_{OFF}$ | $V_{EN} = +5V, V_{IN} = \pm 10V$ A_0, A_1, A_2 Strobed | +25°C | 25 | 80 | | 25 | 80 | | ns |
| Enable Delay (ON) | $t_{ON(EN)}$ | (Figure 3) | +25°C Full | 300 | 500 1000 | | 300 | 1000 | | ns |
| Enable Delay (OFF) | $t_{OFF(EN)}$ | (Figure 3) | +25°C Full | 300 | 500 1000 | | 300 | 1000 | | ns |
| Settling Time (0.1%)(0.01%) | t_{SETT} | | +25°C | 1.2 3.5 | | | 1.2 3.5 | | | μs |

Note 1: When the analog signal exceeds +13.5V or -12V the blocking action of Maxim's gate structure goes into operation. Only leakage currents flow and the channel on resistance rises to infinity.

Note 2: The value shown is the steady state value. The transient leakage is typically 10 μA . See detailed description.

Note 3: Electrical characteristics, such as ON Resistance, will change when power supplies other than ±15V are used.

Note 4: Digital input leakage is primarily due to the clamp diodes. Typical leakage is less than 1nA at +25°C.

Fault-Protected Analog Multiplexer

ELECTRICAL CHARACTERISTICS: HI-508A/509A (continued)

Supplies = +15V, -15V; V_{AH} (Logic Level High) = +4.0V, V_{AL} (Logic Level Low) = +0.8V (unless otherwise noted).

| PARAMETER | SYMBOL | CONDITIONS | TEMP | -55°C to +125°C | | | 0°C to +75°C | | | UNITS |
|-----------------------------|---------------|---|-------|-----------------|----------|-----|--------------|----------|-----|-------|
| | | | | MIN | TYP | MAX | MIN | TYP | MAX | |
| DYNAMIC (continued) | | | | | | | | | | |
| "OFF Isolation" (Note 5) | $OFF_{(ISO)}$ | $V_{EN} = 0.8V, R_L = 1k\Omega,$ $C_L = 15pF, V = 7V_{RMS},$ $f = 100kHz$ | +25°C | 50 | 68 | | 50 | 68 | | dB |
| Channel Input Capacitance | $C_{S(OFF)}$ | | +25°C | | 5 | | | 5 | | pF |
| Channel Output Capacitance | $C_{D(OFF)}$ | HI-508A HI-509A | +25°C | | 25 12 | | | 25 12 | | pF |
| Digital Input Capacitance | C_A | | +25°C | | 5 | | | 5 | | pF |
| Input to Output Capacitance | $C_{DS(OFF)}$ | | +25°C | | 0.1 | | | 0.1 | | pF |
| SUPPLY | | | | | | | | | | |
| Positive Supply Current | I^+ | $V_{EN}, V_A = 0V$ or 4V | Full | | 0.5 | 2.0 | | 0.5 | 2.0 | mA |
| Negative Supply Current | I^- | $V_{EN}, V_A = 0V$ or 4V | Full | | 0.02 | 1.0 | | 0.02 | 1.0 | mA |

Note 5: Worst case isolation occurs on channel 4 due to proximity to the output pins.

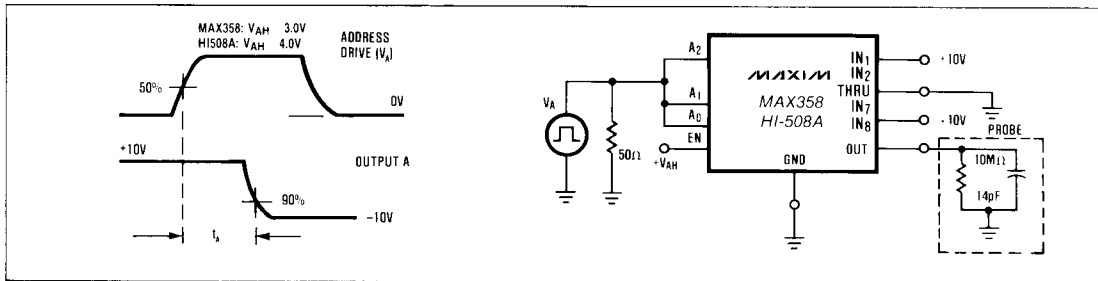


Figure 1. Access Time vs. Logic Level (High)

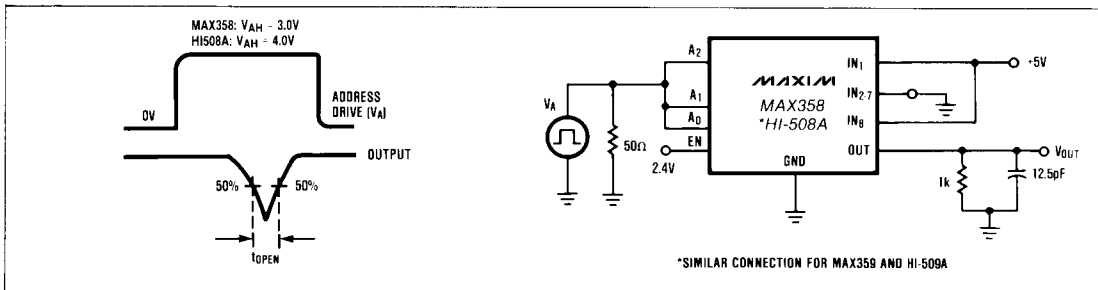


Figure 2. Break Before Make Delay (t_{OPEN})

Fault-Protected Analog Multiplexer

ELECTRICAL CHARACTERISTICS: MAX358/359 (continued)

Supplies = +15V, -15V; V_{AH} (Logic Level High) = +2.4V, V_{AL} (Logic Level Low) = +0.8V (unless otherwise noted).

| PARAMETER | SYMBOL | CONDITIONS | TEMP | -55°C to +125°C | | | 0°C to +75°C and -40°C to +85°C | | | UNITS |
|---|----------------------|---|---------------|-----------------|------------|--------------|---------------------------------|-----------|----------|-------|
| | | | | MIN | TYP | MAX | MIN | TYP | MAX | |
| DYNAMIC (continued) | | | | | | | | | | |
| "OFF Isolation" | OFF _(ISO) | $V_{EN} = 0.8V$, $R_L = 1k\Omega$, $C_L = 15pF$, $V = 7V_{RMS}$, $f = 100kHz$ | +25°C | 50 | 68 | 50 | 68 | | | dB |
| Channel Input Capacitance | $C_{S(OFF)}$ | | +25°C | 5 | | | 5 | | | pF |
| Channel Output Capacitance | $C_{D(OFF)}$ | MAX358 MAX359 | +25°C | 25 12 | | | 25 12 | | | pF |
| Digital Input Capacitance | C_A | | +25°C | 5 | | | 5 | | | pF |
| Input to Output Capacitance | $C_{DS(OFF)}$ | | +25°C | 0.1 | | | 0.1 | | | pF |
| SUPPLY | | | | | | | | | | |
| Positive Supply Current | I^+ | $V_{EN} = 0.8V$, or 2.4V All $V_A = 0V$ or 5V | +25°C Full | 0.1 0.3 | 0.6 0.7 | 0.2 0.5 | 1.0 1.0 | | | mA |
| Negative Supply Current | I^- | $V_{EN} = 0.8V$ or 2.4V All $V_A = 0V$ or 5V | +25°C Full | 0.01 0.02 | 0.1 0.2 | 0.01 0.02 | 0.1 0.1 | | | mA |
| Power Supply Range for Continuous Operation | V_{OP} | (Note 5) | +25°C | ± 4.5 | | ± 18 | | ± 4.5 | ± 18 | V |

Note 5: Electrical characteristics, such as ON Resistance, will change when power supplies other than $\pm 15V$ are used.

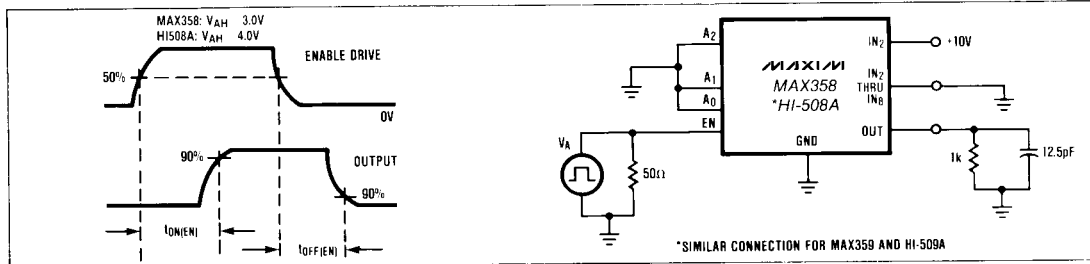


Figure 3. Enable Delay ($t_{ON(EN)}$, $t_{OFF(EN)}$)

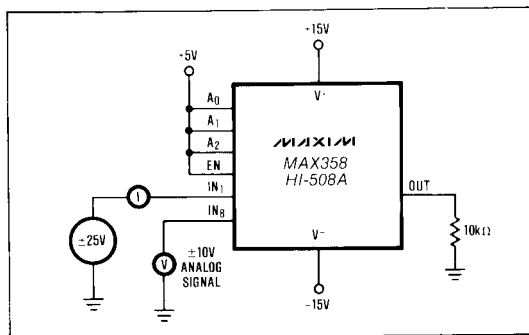


Figure 5. Input Leakage Current (Overtolerance)

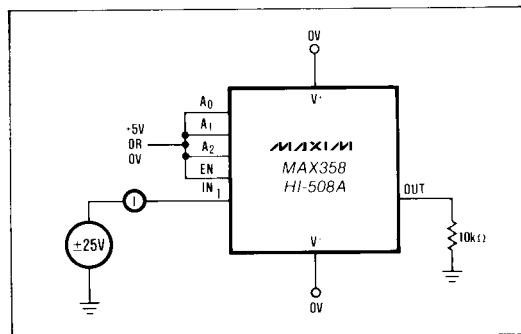
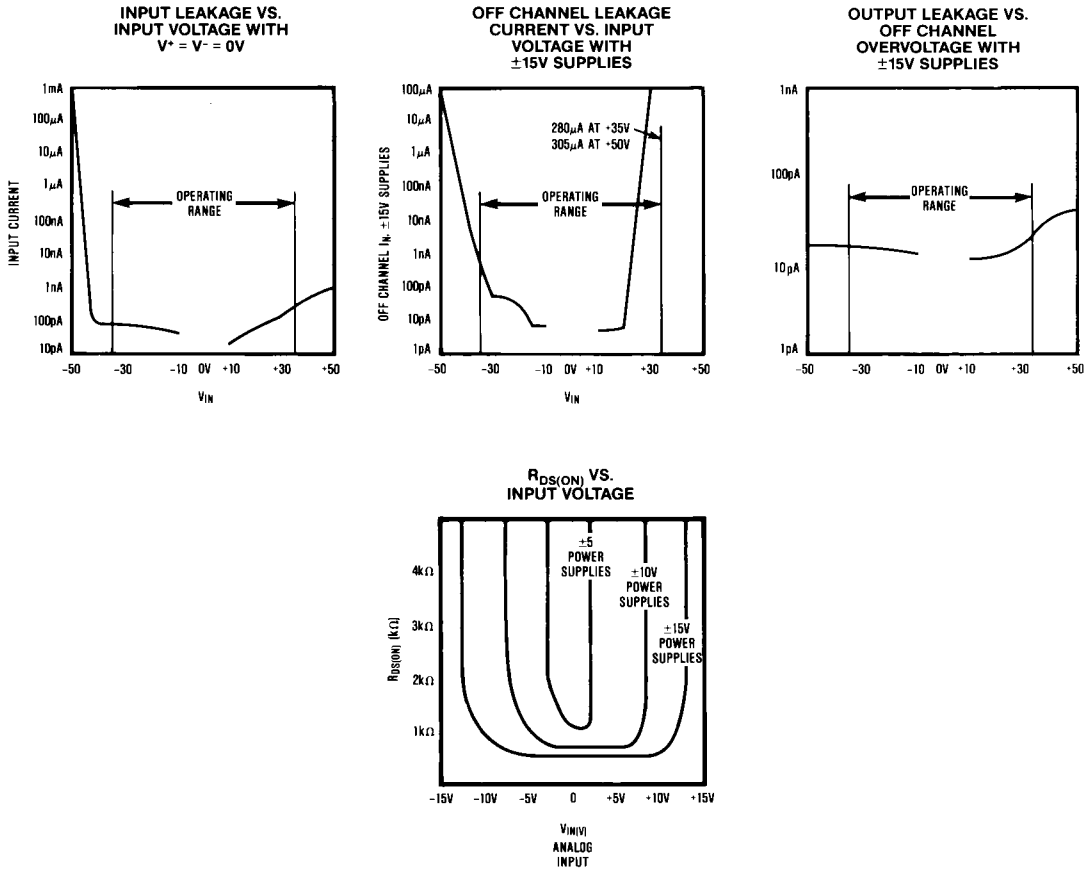


Figure 6. Input Leakage Current (with Power Supplies OFF)

Fault-Protected Analog Multiplexer

Typical Operating Characteristics



TRUTH TABLE—MAX358 AND HI-508A

| A_2 | A_1 | A_0 | EN | ON SWITCH |
|-------|-------|-------|----|-----------|
| X | X | X | 0 | NONE |
| 0 | 0 | 0 | 1 | 1 |
| 0 | 0 | 1 | 1 | 2 |
| 0 | 1 | 0 | 1 | 3 |
| 0 | 1 | 1 | 1 | 4 |
| 1 | 0 | 0 | 1 | 5 |
| 1 | 0 | 1 | 1 | 6 |
| 1 | 1 | 0 | 1 | 7 |
| 1 | 1 | 1 | 1 | 8 |

TRUTH TABLE—MAX359 AND HI-509A

| A_1 | A_0 | EN | ON SWITCH |
|-------|-------|----|-----------|
| X | X | 0 | NONE |
| 0 | 0 | 1 | 1 |
| 0 | 1 | 1 | 2 |
| 1 | 0 | 1 | 3 |
| 1 | 1 | 1 | 4 |

NOTE: Logic "0" = $V_{AL} \leq 0.8V$, Logic "1" = $V_{AH} \geq 2.4V$

Fault-Protected Analog Multiplexer

MAX358/359, HI-508A/509A

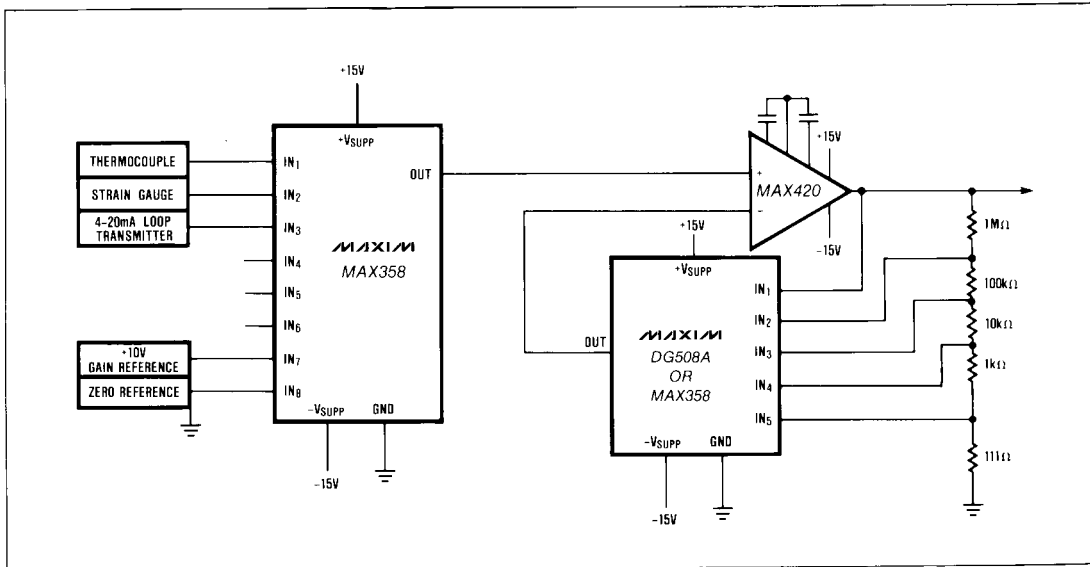


Figure 7. Typical Data Acquisition Front End

Typical Applications

Figure 7 shows a typical data acquisition system using the MAX358 multiplexer. Since the multiplexer is driving a high impedance input, its error is a function of its own resistance ($R_{DS(ON)}$) times the multiplexer leakage current ($I_{D(ON)}$) and the amplifier bias current (I_{BIAS}):

$$\begin{aligned} V_{ERR} &= R_{DS(ON)} \times (I_{D(ON)} + I_{BIAS} \text{ (MAX420)}) \\ &= 1.5k \times (2nA + 30pA) \\ &= 3.05\mu V \text{ maximum error} \end{aligned}$$

In most cases, this error is low enough that pre-amplification of input signals is not needed, even with very low level signals, such as $40\mu V/^\circ C$ from type J thermocouples.

In systems with fewer than 8 inputs, an unused channel can be connected to the system ground reference point for software zero correction. A second channel connected to the system voltage reference allows gain correction of the entire data acquisition system as well.

A MAX 420 precision op-amp is connected as a programmable gain amplifier, with gains ranging from 1 to 10,000. The guaranteed $5\mu V$ unadjusted offset of the MAX420 maintains high signal accuracy, while programmable gain allows the output signal level to be scaled to the optimum range for the remainder of

the data acquisition system, normally a Sample/Hold and A/D. Since the gain-changing multiplexer is not connected to the external sensors, it can be either a DG508A multiplexer or the fault protected MAX358.

Input switching, however, must be done with a fault protected MAX358 multiplexer if it is to provide the level of protection and isolation required with most data acquisition inputs. Since external signal sources may continue to supply voltage when the multiplexer and system power are turned off, non-fault protected multiplexers, or even first-generation fault protected devices, will allow many milliamps of fault current to flow from outside sources into the multiplexer. The result could be damage to either the sensors or the multiplexer. A non-fault protected multiplexer will also allow input overvoltages to appear at its output, perhaps damaging Sample/Holds or A/Ds. Such input overdrives may also cause input-to-input shorts, allowing the high current output of one sensor to possibly damage another.

The MAX358 eliminates all of the above problems since it not only limits its output voltage to safe levels, with or without power applied ($+V_{SUP}$ and $-V_{SUP}$), but also turns all channels off when power is removed, drawing only sub-microamp fault currents from the inputs, and maintaining isolation between inputs for continuous overvoltages up to $\pm 35V$.

Fault-Protected Analog Multiplexer

Detailed Description Fault Protection Circuitry

Maxim's HI-508A/509A and MAX358/359 are fully fault-protected for continuous input voltages up to $\pm 35V$, whether or not the $+V_{SUP}$ and $-V_{SUP}$ power supplies are present. These devices use a "series FET" protection scheme which not only protects the multiplexer output from overvoltage, but also limits the input current to sub-microamp levels. This fault current is several orders of magnitude lower than the original manufacturer's HI-508A (several milliamperes), which uses 1 to 2k Ω protection resistors in series with parasitic diodes connected to $+V_{SUP}$ and $-V_{SUP}$.

Figures 8 and 9 show how the series FET circuit protects against overvoltage conditions. When power is off, the gates of all three FETs are at ground. With a $-25V$ input, N-channel FET Q1 is turned on by the $+25V$ gate-to-source voltage. The P-channel device (Q2), however, has $+25V$ V_{GS} and is turned off, thereby preventing the input signal from reaching the output. If the input voltage is $+25V$, Q1 has a negative V_{GS} , which turns it off. Similarly, only sub-microamp leakage currents can flow from the output back to the input, since any voltage will turn off either Q1 or Q2.

Figure 10 shows the condition of an OFF channel with $+V_{SUP}$ and $-V_{SUP}$ present. As with Figures 8 and 9, either an N-channel or a P-channel device will be off for any input voltage from $-35V$ to $+35V$. The leakage current with negative overvoltages will immediately drop to a few nanoamps at $25^{\circ}C$. For positive overvoltages that fault current will initially be 10 or 20 μA , decaying over a few seconds to the nanoamp level. The time constant of this decay is caused by the discharge of stored charge from internal nodes and does not compromise the fault protection scheme.

Figure 11 shows the condition of the ON channel with $+V_{SUP}$ and $-V_{SUP}$ present. With input voltages less than $\pm 10V$, all three FETs are on and the input signal appears at the output. If the input voltage exceeds $+V_{SUP}$ minus the N-channel threshold voltage (V_{TN}), then the N-channel FET will turn off. For voltages more negative than $-V_{SUP}$ minus the P-channel threshold (V_{TP}), the P-channel device will turn off. Since V_{TN} is typically 1.5V and V_{TP} is typically 3V, the multiplexer's output swing is limited to about $-12V$ to $+13.5V$ with $\pm 15V$ supplies.

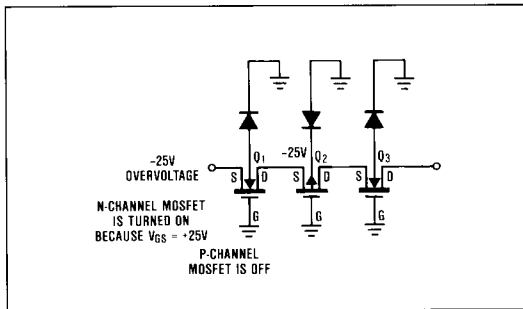


Figure 8. $-25V$ Overvoltage with Multiplexer Power OFF

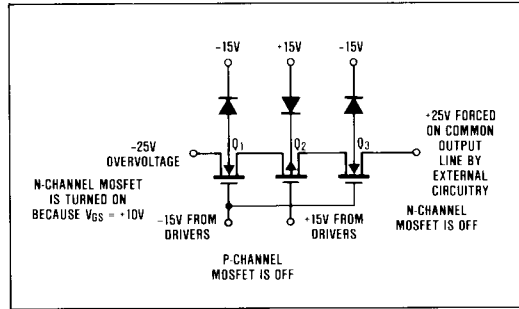


Figure 10. $-25V$ Overvoltage on an OFF Channel with Multiplexer Power Supply ON

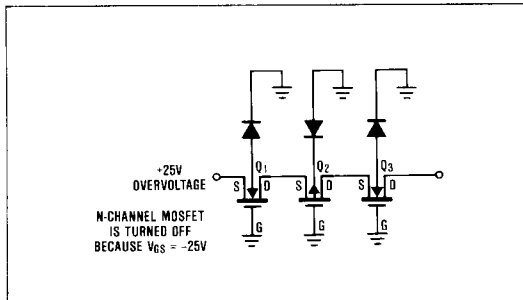


Figure 9. $+25V$ Overvoltage with Multiplexer Power OFF

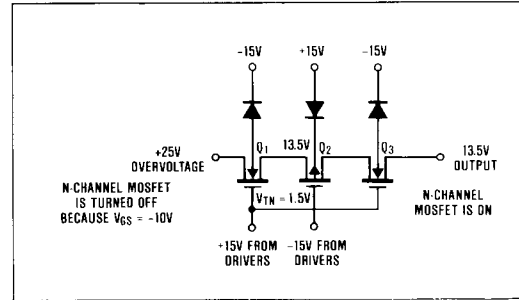


Figure 11. $+25V$ Overvoltage Input to the ON Channel

Fault-Protected Analog Multiplexer

MAX358/359, HI-508A/509A

The Typical Characteristics graphs show typical leakage vs. input voltage curves. Although the maximum rated overvoltage of these devices is $\pm 35V$, the MAX358/359 typically has excellent performance up to $\pm 40V$, providing additional margin for the unknown transients that exist in the real world. In summary, the MAX358/359 provides superior protection from all fault conditions, while using a standard, readily produced junction isolated CMOS process.

Switching Characteristics and Charge Injection

Table 1 shows typical charge injection levels vs. power supply voltages and analog input voltage. Note that since the channels are well matched, the differential charge injection for the MAX359/HI-509A is typically less than 5 picocoulombs. The charge injection that occurs during switching creates a voltage transient whose magnitude is inversely proportional to the capacitance on the multiplexer output.

The channel-to-channel switching time is typically 600ns, with about 200ns of break before make delay. This 200ns break-before-make delay prevents the input-to-input short that would occur if two input channels were simultaneously connected to the output. In a typical data acquisition system such as Figure 7, the dominant delay is not the switching time of the MAX358 multiplexer, but is the settling time of the following amplifiers and S/H. Another limiting factor is the RC time constant of the multiplexer $R_{DS(ON)}$ plus the signal source impedance multiplied by the load capacitance on the output of the multiplexer. Even with low signal source impedances, 100pF of capacitance on the multiplexer output will approximately double the settling time to 0.01% accuracy.

Operation with Supply Voltages Other than $\pm 15V$

The main effect of supply voltages other than $\pm 15V$ is the reduction in output signal range. The MAX358 limits the output voltage to about 1.5V below $+V_{SUP}$ and about 3V above $-V_{SUP}$. In other words, the output swing is limited to +3.5V to -2V when operating from $\pm 5V$. The typical characteristics graphs show typical $R_{DS(ON)}$ for $\pm 15V$, $\pm 10V$, and $\pm 5V$ power supplies. Maxim tests and guarantees the MAX358/359 for operation from $\pm 4.5V$ to $\pm 18V$ supplies. The switching delays are increased by about a factor of 2 at $\pm 5V$, but break-before-make action is preserved.

The MAX358/9 can be operated with a single +9V to +22V supply, as well as asymmetrical power supplies such as +15V and -5V. The digital threshold will remain approximately 1.6V above the Ground pin, and the analog characteristics such as $R_{DS(ON)}$ are determined by the total voltage difference between $+V_{SUP}$ and $-V_{SUP}$. Connect $-V_{SUP}$ to 0V when operating with a +9V to +22V single supply.

The MAX358 digital threshold is relatively independent of the power supply voltages, going from a

Table 1A. MAX358 AND HI-508A CHARGE INJECTION

| Supply Voltage | Analog Input Level | Injected Charge |
|----------------|--------------------|-----------------|
| $\pm 5V$ | +1.7V | +100pC |
| | 0V | +70pC |
| | -1.7V | +45pC |
| $\pm 10V$ | +5V | +200pC |
| | 0V | +130pC |
| | -5V | +60pC |
| $\pm 15V$ | +10V | +300pC |
| | 0V | +180pC |
| | -10V | +50pC |

Test Conditions: $C_L = 1000pF$ on multiplexer output; the tabulated analog input level is applied to channel 1; channels 2 through 8 inputs are open circuited. $EN = +5V$, $A_1 = A_2 = 0V$, A_0 is toggled at 2kHz rate between 0V and 3V. +100 picocoulombs of charge creates a +100mV step when injected into a 1000pF load capacitance.

Table 1B. MAX359 AND HI-509A CHARGE INJECTION

| Supply Voltage | Analog Input Level | Injected Charge | | |
|----------------|--------------------|-----------------|--------|--------------------|
| | | Out A | Out B | Differential A - B |
| $\pm 5V$ | +1.7V | +105pC | +107pC | -2pC |
| | 0V | +73pC | +74pC | -1pC |
| | -1.7V | +48pC | +50pC | -2pC |
| $\pm 10V$ | +5V | +215pC | +220pC | -5pC |
| | 0V | +135pC | +139pC | -4pC |
| | -5V | +62pC | +63pC | -1pC |
| $\pm 15V$ | +10V | +325pC | +330pC | -5pC |
| | 0V | +180pC | +185pC | -5pC |
| | -10V | +55pC | +55pC | 0pC |

Test Conditions: $C_L = 1000pF$ on Out A and Out B; the tabulated analog input level is applied to inputs 1A and 1B; channels 2 through 4 are open circuited. $EN = +5V$, $A_1 = 0V$, A_0 is toggled from 0V to 3V at a 2kHz rate.

typical 1.6V when $+V_{SUP}$ is 15V to 1.5V typical with a $5V +V_{SUP}$. This means that Maxim HI-508/509A and MAX358/359 will operate with standard TTL logic levels, even with $\pm 5V$ power supplies. In all cases, the threshold of the ENable pin is the same as the other logic inputs.

Digital Interface Levels

The typical digital threshold of both the address lines and the enable pin is 1.6V, with a temperature coefficient of about $-3mV/^\circ C$. This ensures compatibility with 0.8V to 2.4V TTL logic swings over the entire temperature range. The digital threshold is relatively independent of the supply voltages, moving from 1.6V typical to 1.5V typical as the power supplies are reduced from $\pm 15V$ to $\pm 5V$. In all cases, the digital threshold is referenced to the Ground pin.

The digital inputs can also be driven with CMOS logic

Fault-Protected Analog Multiplexer

levels swinging from either +V_{SUP} to -V_{SUP} or from +V_{SUP} to Ground. The digital input current is just a few nanoamps of leakage at all input voltage levels, with a guaranteed maximum of 1μA. The digital inputs are protected from ESD by a 30V zener diode between the input and +V_{SUP}, and can be driven ±6V beyond the supplies without drawing excessive current.

Operation as a Demultiplexer

The MAX358/9 will function as a demultiplexer, where the input is applied to the Output pin, and the Input pins are used as outputs. The MAX358/9 provides both break-before-make action and full fault protection when operated as a demultiplexer, unlike earlier generations of fault protected multiplexers.

Channel-to-Channel Crosstalk, Off Isolation and Digital Feedthrough

At DC and low frequencies the channel-to-channel crosstalk is caused by variations in output leakage currents as the off channel input voltages are varied. The MAX358 output leakage varies only a few picoamps as all 7 off inputs are toggled from -10V to +10V. The output voltage change depends on the impedance level at the MAX358 output, which is R_{DS(ON)} plus the input signal source resistance in most cases since the load driven by the MAX358 is usually a high impedance. For a signal source impedance of 10kΩ or lower, the DC crosstalk exceeds 120dB.

Table 2 shows typical AC crosstalk and off isolation performance. Digital feedthrough is masked by the analog charge injection when the output is enabled. When the output is disabled, the digital feedthrough is virtually unmeasurable, since the digital pins are physically isolated from the analog section by the

Ground and -V_{SUP} pins. The groundplane formed by these lines is continued onto the MAX358/9 die to provide over 100dB isolation between the digital and analog sections.

Table 2A. TYPICAL OFF ISOLATION REJECTION RATIO

| Frequency | 100kHz | 500kHz | 1MHz |
|---------------------|--------|--------|------|
| One Channel Driven | 74dB | 72dB | 66dB |
| All Channels Driven | 64dB | 48dB | 44dB |

Test Conditions: V_{IN} = 20V_{PK-PK} at the tabulated frequency, R_L = 1.5k between OUT and ground, EN = 0V.

$$OIRR = 20 \text{ Log } \frac{20V_{PK-PK}}{V_{OUT (PK-PK)}}$$

Table 2B. TYPICAL CROSSTALK REJECTION RATIO

| Frequency | 100kHz | 500kHz | 1MHz |
|-----------------------|--------|--------|------|
| R _L = 1.5k | 70dB | 68dB | 64dB |
| R _L = 10k | 62dB | 46dB | 42dB |

Test Conditions: Specified R_L connected from OUT to ground. EN = +5V, A₀ = A₁ = A₂ = +5V (Channel 1 selected). 20V_{PK-PK} at the tabulated frequency is applied to Channel 2. All other channels are open circuited. Similar crosstalk rejection can be observed between any two channels.

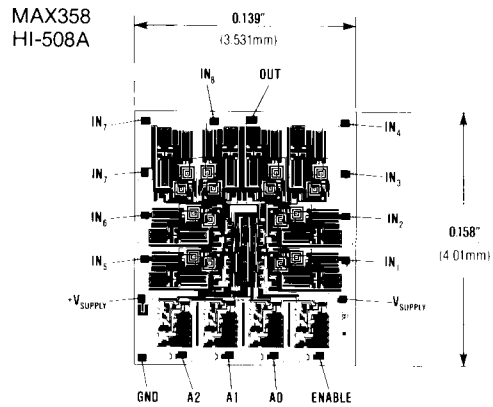
Fault-Protected Analog Multiplexer

Ordering Information (continued)

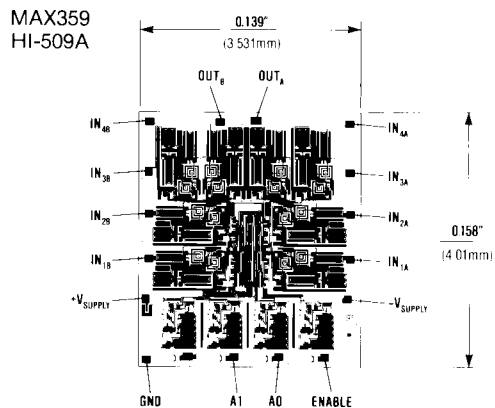
| PART | TEMP. RANGE | PACKAGE |
|--------------|-----------------|---------------------|
| HI1-0508A-2 | -55°C to +125°C | 16 Lead CERDIP |
| HI1-0508A-5* | 0°C to +75°C | 16 Lead CERDIP |
| HI3-0508A-5* | 0°C to +75°C | 16 Lead Plastic DIP |
| HI1-0509A-2 | -55°C to +125°C | 16 Lead CERDIP |
| HI1-0509A-5* | 0°C to +75°C | 16 Lead CERDIP |
| HI3-0509A-5* | 0°C to +75°C | 16 Lead Plastic DIP |

* Maxim burns in all devices at 150°C. Maxim's -5 device is therefore equivalent to the original manufacturer's -7 product.

Chip Topographies



Note: Connect substrate to +V_{SUPPLY} or Leave It Floating



Note: Connect substrate to +V_{SUPPLY} or Leave It Floating

MAX358/359, HI-508A/509A

Mouser Electronics

Authorized Distributor

Click to View Pricing, Inventory, Delivery & Lifecycle Information:

Maxim Integrated:

[MAX358CPE+](#) [MAX358CWE+](#) [MAX358EWE+](#) [MAX359CPE+](#) [MAX359CWE+](#) [MAX359EWE+](#) [MAX358CPE](#)
[MAX358CWE+T](#) [MAX358EWE+T](#) [MAX359CWE+T](#) [MAX359EWE+T](#) [MAX358MJE/883B](#) [MAX359MJE/883B](#)
[MAX359EPE+](#) [MAX358EPE+](#)