

# MAX4638/MAX4639

## 3.5Ω, Single 8:1 and Dual 4:1, Low-Voltage Analog Multiplexers

### ABSOLUTE MAXIMUM RATINGS

(Voltages Referenced to GND)

V+ to V-	+6V
V+, A_, EN	-0.3V to +6V
V-	+0.3V to -6V
NO_, COM_ (Note 1)	-0.3V to (V+ + 0.3V)
Continuous Current A_, EN	±30mA
Continuous Current NO_, COM_	±100mA
Peak Current (NO_, COM_) (pulsed at 1ms, 10% duty cycle)	±200mA

Continuous Power Dissipation (TA = +70°C)

TQFN (derate 16.9mW/°C above +70°C)	1349mW
TSSOP (derate 9.4mW/°C above +70°C)	754.7mW
SO (derate 8.70mW/°C above +70°C)	696mW
Operating Temperature Range	
MAX463_E_E	-40°C to +85°C
Junction Temperature	+150°C
Storage Temperature Range	-65°C to +150°C
Lead Temperature (soldering, 10s)	+300°C
Soldering Temperature (reflow)	+260°C

**Note 1:** Signals on COM\_, NO\_ exceeding V+ or V- are clamped by internal diodes. A\_ and EN are clamped only to V- and can exceed V+ up to their maximum ratings. Limit forward-diode current to maximum current rating.

Stresses beyond those listed under "Absolute Maximum Ratings" may cause permanent damage to the device. These are stress ratings only, and functional operation of the device at these or any other conditions beyond those indicated in the operational sections of the specifications is not implied. Exposure to absolute maximum rating conditions for extended periods may affect device reliability.

### ELECTRICAL CHARACTERISTICS—+5V Single Supply

(V+ = +5V ±10%, V- = 0, VIH = +2.4V, VIL = +0.8V, TA = TMIN to TMAX, unless otherwise noted. Typical values are at TA = +25°C.) (Notes 2, 3)

PARAMETER	SYMBOL	CONDITIONS	MIN	TYP (Note 2)	MAX	UNITS
<b>ANALOG SWITCH</b>						
Analog Signal Range	VCOM_, VNO_		0		V+	V
On-Resistance	RON	V+ = +4.5V, ICOM_ = 10mA, VNO_ = +3.5V		2.5	3.5	Ω
		TA = TMIN to TMAX			4.5	
On-Resistance Match Between Channels (Notes 4, 5)	ΔRON	V+ = +4.5V, ICOM_ = 10mA, VNO_ = +3.5V		0.1	0.4	Ω
		TA = TMIN to TMAX			0.5	
On-Resistance Flatness (Note 6)	RFLAT(ON)	V+ = +4.5V; ICOM_ = 10mA; VNO_ = +1V, +2V, +3.5V		0.75	1	Ω
		TA = TMIN to TMAX			1.2	
NO_ Off-Leakage Current (Note 7)	INO_(OFF)	V+ = +5.5V; VCOM_ = +1V, +4.5V; VNO_ = +4.5V, +1V	-0.25	±0.01	0.25	nA
		TA = TMIN to TMAX	-0.35		0.35	
COM_ Off-Leakage Current (Note 7)	ICOM_(OFF)	V+ = +5.5V; VCOM_ = +1V, +4.5V; VNO_ = +4.5V, +1V	-0.25	±0.01	0.25	nA
		TA = TMIN to TMAX	-0.75		0.75	
COM_ On-Leakage Current (Note 7)	ICOM_(ON)	V+ = +5.5V; VCOM_ = +1V, +4.5V; VNO_ = +1V, +4.5V, or unconnected	-0.25	±0.01	0.25	nA
		TA = TMIN to TMAX	-0.75		0.75	
<b>DIGITAL I/O</b>						
Input Logic High	VIH		2.4			V
Input Logic Low	VIL				0.8	V
Input Leakage Current	IIH, IIL	VIN_ = 0 or V+	-0.1	0.005	0.1	μA
Digital Input Capacitance	CIN			2		pF
<b>DYNAMIC</b>						
Transition Time (Note 7)	tTRANS	RL = 100Ω, CL = 35pF, VNO1 = +3V or 0, VNO8 = 0 or +3V, Figure 2		14	18	ns
		TA = TMIN to TMAX			20	

# MAX4638/MAX4639

## 3.5Ω, Single 8:1 and Dual 4:1, Low-Voltage Analog Multiplexers

### ELECTRICAL CHARACTERISTICS—+5V Single Supply (continued)

(V+ = +5V ±10%, V- = 0, V<sub>IH</sub> = +2.4V, V<sub>IL</sub> = +0.8V, T<sub>A</sub> = T<sub>MIN</sub> to T<sub>MAX</sub>, unless otherwise noted. Typical values are at T<sub>A</sub> = +25°C.) (Notes 2, 3)

PARAMETER	SYMBOL	CONDITIONS		MIN	TYP (Note 2)	MAX	UNITS
Break-Before-Make (Note 7)	t <sub>BBM</sub>	R <sub>L</sub> = 100Ω, C <sub>L</sub> = 35pF, V <sub>NO-</sub> = +3V, Figure 3	MAX4638	T <sub>A</sub> = +25°C	8		ns
				T <sub>A</sub> = T <sub>MIN</sub> to T <sub>MAX</sub>	1		
Enable Turn-On Time (Note 7)	t <sub>ON(EN)</sub>	R <sub>L</sub> = 100Ω, C <sub>L</sub> = 35pF, V <sub>NO1</sub> = +3V, V <sub>NO2</sub> to V <sub>NO8</sub> = 0, Figure 4	MAX4638	T <sub>A</sub> = +25°C	14	18	ns
				T <sub>A</sub> = T <sub>MIN</sub> to T <sub>MAX</sub>		20	
Enable Turn-Off Time (Note 7)	t <sub>OFF(EN)</sub>	R <sub>L</sub> = 100Ω, C <sub>L</sub> = 35pF, V <sub>NO1</sub> = +3V, V <sub>NO2</sub> to V <sub>NO8</sub> = 0, Figure 4	MAX4638	T <sub>A</sub> = +25°C	5	7	ns
				T <sub>A</sub> = T <sub>MIN</sub> to T <sub>MAX</sub>		8	
On-Channel -3dB Bandwidth	BW	Signal = 0dBm, C <sub>L</sub> = 5pF, 50Ω in and out, Figure 6	MAX4638	T <sub>A</sub> = +25°C	50		MHz
			MAX4639	T <sub>A</sub> = +25°C	85		
Charge Injection	Q	V <sub>GEN</sub> = +2.5V, R <sub>GEN</sub> = 0, C <sub>L</sub> = 1.0nF, Figure 5	MAX4638	T <sub>A</sub> = +25°C	13		pC
NO_ Off-Capacitance	C <sub>NO_(OFF)</sub>	V <sub>NO-</sub> = 0V, f = 1MHz, Figure 8	MAX4638	T <sub>A</sub> = +25°C	9		pF
COM_ Off-Capacitance	C <sub>COM_(OFF)</sub>	V <sub>COM-</sub> = 0V, f = 1MHz, Figure 8	MAX4638	T <sub>A</sub> = +25°C	40		pF
			MAX4639	T <sub>A</sub> = +25°C	20		
Switch On-Capacitance	C <sub>(ON)</sub>	V <sub>COM-</sub> = V <sub>NO-</sub> = 0V, f = 1MHz, Figure 8	MAX4638	T <sub>A</sub> = +25°C	54		pF
			MAX4639	T <sub>A</sub> = +25°C	34		
Off-Isolation (Note 8)	V <sub>ISO</sub>	C <sub>L</sub> = 5pF, R <sub>L</sub> = 50Ω, f = 1MHz, V <sub>NO-</sub> = 1V <sub>RMS</sub> , Figure 6	MAX4638	T <sub>A</sub> = +25°C	-55		dB
				T <sub>A</sub> = +25°C	-75		
Crosstalk (Note 9)	V <sub>CT</sub>	C <sub>L</sub> = 5pF, R <sub>L</sub> = 50Ω, f = 10MHz, V <sub>NO-</sub> = 1V <sub>RMS</sub> , Figure 7	MAX4638	T <sub>A</sub> = +25°C	-65		dB
				T <sub>A</sub> = +25°C	-85		
Total Harmonic Distortion	THD	R <sub>L</sub> = 600Ω, R <sub>FLAT(ON)/R<sub>L</sub></sub>	MAX4638	T <sub>A</sub> = +25°C	0.5		%
<b>SUPPLY</b>							
Positive Supply Current	I+	V+ = +5.5V, V <sub>IN</sub> = 0 or V+	MAX4638	T <sub>A</sub> = +25°C	0.001	1.0	μA

MAX4638/MAX4639

# MAX4638/MAX4639

## 3.5Ω, Single 8:1 and Dual 4:1, Low-Voltage Analog Multiplexers

### ELECTRICAL CHARACTERISTICS—+3.0V Single Supply

(V+ = +2.7V to +3.3V, V- = 0, VIH = +2.0V, VIL = +0.4V, TA = TMIN to TMAX, unless otherwise noted. Typical values are at V+ = +3V and TA = +25°C.) (Notes 2, 3)

PARAMETER	SYMBOL	CONDITIONS		MIN	TYP (Note 2)	MAX	UNITS
<b>ANALOG SWITCH</b>							
Analog Signal Range	VCOM_, VNO_			0		V+	V
On-Resistance	RON	ICOM_ = 10mA, VNO_ = +1.7V	TA = +25°C	4.5	6		Ω
			TA = TMIN to TMAX			8	
On-Resistance Match Between Channels (Notes 4, 5)	ΔRON	ICOM_ = 10mA, VNO_ = +1.7V	TA = +25°C	0.25	0.6		Ω
			TA = TMIN to TMAX			0.8	
On-Resistance Flatness (Note 6)	RFLAT(ON)	ICOM_ = 10mA; VNO_ = +1.5V, +1.7V, +1.9V	TA = +25°C	1	2		Ω
			TA = TMIN to TMAX			2.5	
NO_ Off-Leakage Current (Note 7)	INO_(OFF)	V+ = +3.3V; VCOM_ = +1V, +3V; VNO_ = +3V, +1V	TA = +25°C	-0.25	±0.01	0.25	nA
			TA = TMIN to TMAX			0.35	
COM_ Off-Leakage Current (Note 7)	ICOM_(OFF)	V+ = +3.3V; VCOM_ = +1V, +3V; VNO_ = +3V, +1V	TA = +25°C	-0.25	±0.01	0.25	nA
			TA = TMIN to TMAX			0.35	
COM_ On-Leakage Current (Note 7)	ICOM_(ON)	V+ = +3.3V; VCOM_ = +1V, +3V; VNO_ = +1V, +3V, or unconnected	TA = +25°C	-0.25	±0.01	0.25	nA
			TA = TMIN to TMAX			0.35	
<b>DIGITAL I/O</b>							
Input Logic High	VIH			2.0			V
Input Logic Low	VIL					0.4	V
Input Leakage Current	I <sub>IH</sub> , I <sub>IL</sub>	VIN_ = 0 or V+		-0.1	0.005	0.1	μA
Digital Input Capacitance	CIN				2		pF
<b>DYNAMIC</b>							
Transition Time (Note 7)	tTRANS	VNO_ = +2V, CL = 35pF, RL = 100Ω, Figure 2	TA = +25°C	16	20		ns
			TA = TMIN to TMAX			24	
Break-Before-Make (Note 7)	tBBM	VNO_ = +2V, CL = 35pF, RL = 100Ω, Figure 3	TA = +25°C	8			ns
			TA = TMIN to TMAX	1			
Enable Turn-On Time (Note 7)	tON(EN)	VNO_ = +2V, CL = 35pF, RL = 100Ω, Figure 4	TA = +25°C	15	20		ns
			TA = TMIN to TMAX			24	
Enable Turn-Off Time (Note 7)	tOFF(EN)	VNO_ = +2V, CL = 35pF, RL = 100Ω, Figure 4	TA = +25°C	5	9		ns
			TA = TMIN to TMAX			10	

# MAX4638/MAX4639

## 3.5Ω, Single 8:1 and Dual 4:1, Low-Voltage Analog Multiplexers

### ELECTRICAL CHARACTERISTICS—+3.0V Single Supply (continued)

(V+ = +2.7V to +3.3V, V- = 0, V<sub>IH</sub> = +2.0V, V<sub>IL</sub> = +0.4V, T<sub>A</sub> = T<sub>MIN</sub> to T<sub>MAX</sub>, unless otherwise noted. Typical values are at V+ = +3V and T<sub>A</sub> = +25°C.) (Notes 2, 3)

PARAMETER	SYMBOL	CONDITIONS		MIN	TYP (Note 2)	MAX	UNITS
Off-Isolation (Note 8)	V <sub>ISO</sub>	C <sub>L</sub> = 5pF, R <sub>L</sub> = 50Ω, f = 10MHz, V <sub>NO-</sub> = +1V <sub>RMS</sub> , Figure 6	T <sub>A</sub> = +25°C		55		dB
		C <sub>L</sub> = 5pF, R <sub>L</sub> = 50Ω, f = 1MHz, V <sub>NO-</sub> = 1V <sub>RMS</sub> , Figure 6	T <sub>A</sub> = +25°C		-75		
Crosstalk (Note 9)	V <sub>CT</sub>	C <sub>L</sub> = 5pF, R <sub>L</sub> = 50Ω, f = 10MHz, V <sub>NO-</sub> = 1V <sub>RMS</sub> , Figure 7	T <sub>A</sub> = +25°C		-65		dB
		C <sub>L</sub> = 5pF, R <sub>L</sub> = 50Ω, f = 1MHz, V <sub>NO-</sub> = 1V <sub>RMS</sub> , Figure 7	T <sub>A</sub> = +25°C		-85		
On-Channel -3dB Bandwidth	BW	Signal = 0dBm, 50Ω in and out, Figure 6	MAX4638	T <sub>A</sub> = +25°C		50	MHz
			MAX4639	T <sub>A</sub> = +25°C		85	
NO- Off-Capacitance	C <sub>NO-(OFF)</sub>	V <sub>NO-</sub> = 0V, f = 1MHz, Figure 8	T <sub>A</sub> = +25°C		9		pF
COM- Off-Capacitance	C <sub>COM-(OFF)</sub>	V <sub>COM-</sub> = 0V, f = 1MHz, Figure 8	MAX4638	T <sub>A</sub> = +25°C		40	pF
			MAX4639	T <sub>A</sub> = +25°C		20	
Switch On-Capacitance	C <sub>(ON)</sub>	V <sub>COM-</sub> = V <sub>NO-</sub> = 0V, f = 1MHz, Figure 8	MAX4638	T <sub>A</sub> = +25°C		54	pF
			MAX4639	T <sub>A</sub> = +25°C		34	
<b>SUPPLY</b>							
Positive Supply Current	I+	V+ = +3.3V, V <sub>IN-</sub> = 0 or V+			0.001	1	μA

### ELECTRICAL CHARACTERISTICS—±2.5V Dual Supplies

(V+ = +2.5 ±10%, V- = -2.5 ±10%, V<sub>IH</sub> = +2.0V, V<sub>IL</sub> = +0.4V, T<sub>A</sub> = T<sub>MIN</sub> to T<sub>MAX</sub>, unless otherwise noted. Typical values are at V± = ±2.5V and T<sub>A</sub> = +25°C.) (Notes 2, 3)

PARAMETER	SYMBOL	CONDITIONS		MIN	TYP (Note 2)	MAX	UNITS
<b>ANALOG SWITCH</b>							
Analog Signal Range	V <sub>COM-</sub> , V <sub>NO-</sub>			V-		V+	V
On-Resistance	R <sub>ON</sub>	I <sub>COM-</sub> = 10mA, V <sub>NO-</sub> = ±1.5V, V+ = +2.25V, V- = -2.25V	T <sub>A</sub> = +25°C		2.5	3.5	Ω
			T <sub>A</sub> = T <sub>MIN</sub> to T <sub>MAX</sub>			4.5	
On-Resistance Match Between Channels (Notes 4, 5)	ΔR <sub>ON</sub>	I <sub>COM-</sub> = 10mA, V <sub>NO-</sub> = ±1.5V, V+ = +2.25V, V- = -2.25V	T <sub>A</sub> = +25°C		0.2	0.4	Ω
			T <sub>A</sub> = T <sub>MIN</sub> to T <sub>MAX</sub>			0.5	

# MAX4638/MAX4639

## 3.5Ω, Single 8:1 and Dual 4:1, Low-Voltage Analog Multiplexers

### ELECTRICAL CHARACTERISTICS—±2.5V Dual Supplies (continued)

(V+ = +2.5 ±10%, V- = -2.5V ±10%, VIH = +2.0V, VIL = +0.4V, TA = TMIN to TMAX, unless otherwise noted. Typical values are at V± = ±2.5V and TA = +25°C.) (Notes 2, 3)

PARAMETER	SYMBOL	CONDITIONS	MIN	TYP (Note 2)	MAX	UNITS	
On-Resistance Flatness (Note 6)	R <sub>FLAT(ON)</sub>	I <sub>COM_</sub> = 10mA; V <sub>NO_</sub> = ±1.5V, 0; V+ = +2.25V; V- = -2.25V	TA = +25°C	0.75	1	Ω	
			TA = T <sub>MIN</sub> to T <sub>MAX</sub>		1.2		
NO_ Off-Leakage Current (Note 7)	I <sub>NO_ (OFF)</sub>	V+ = +2.75V; V- = -2.75V; V <sub>COM_</sub> = +1V, +2.5V; V <sub>NO_</sub> = +2.5V, +1V	TA = +25°C	-0.25	±0.01	0.25	nA
			TA = T <sub>MIN</sub> to T <sub>MAX</sub>	-0.35		0.35	
COM_ Off-Leakage Current (Note 7)	I <sub>COM_ (OFF)</sub>	V+ = +2.75V; V- = -2.75V; V <sub>COM_</sub> = +1V, +2.5V; V <sub>NO_</sub> = +2.5V, +1V	TA = +25°C	-0.25	±0.01	0.25	nA
			TA = T <sub>MIN</sub> to T <sub>MAX</sub>	-0.35		0.35	
COM_ On-Leakage Current (Note 7)	I <sub>COM_ (ON)</sub>	V+ = +2.5V; V- = -2.5V; V <sub>COM_</sub> = +1V, +2.5V; V <sub>NO_</sub> = +1V, +2.5V, or unconnected	TA = +25°C	-0.25	±0.01	0.25	nA
			TA = T <sub>MIN</sub> to T <sub>MAX</sub>	-0.35		0.35	
<b>DIGITAL I/O</b>							
Input Logic High	VIH		2.0			V	
Input Logic Low	VIL				0.4	V	
Input Leakage Current	I <sub>IH, IIL</sub>	V <sub>IN_</sub> = 0 or V+	-0.1	0.005	0.1	μA	
Digital Input Capacitance	C <sub>IN</sub>			2		pF	
<b>DYNAMIC</b>							
Transition Time (Note 7)	t <sub>TRANS</sub>	V <sub>NO_</sub> = +1.2V, C <sub>L</sub> = 35pF, R <sub>L</sub> = 100Ω, Figure 2	TA = +25°C	16	20	ns	
			TA = T <sub>MIN</sub> to T <sub>MAX</sub>		24		
Enable Turn-On Time (Note 7)	t <sub>ON(EN)</sub>	V <sub>NO_</sub> = +1.2V, C <sub>L</sub> = 35pF, R <sub>L</sub> = 100Ω, Figure 4	TA = +25°C	14	18	ns	
			TA = T <sub>MIN</sub> to T <sub>MAX</sub>		20		
Enable Turn-Off Time (Note 7)	t <sub>OFF(EN)</sub>	V <sub>NO_</sub> = +1.2V, C <sub>L</sub> = 35pF, R <sub>L</sub> = 100Ω, Figure 4	TA = +25°C	5	7	ns	
			TA = T <sub>MIN</sub> to T <sub>MAX</sub>		8		
Break-Before-Make (Note 7)	t <sub>BBM</sub>	V <sub>NO_</sub> = +1.2V, C <sub>L</sub> = 35pF, R <sub>L</sub> = 100Ω, Figure 3	TA = +25°C	8		ns	
			TA = T <sub>MIN</sub> to T <sub>MAX</sub>	1			

**Note 2:** The algebraic convention, where the most negative value is a minimum and the most positive value a maximum, is used in this data sheet.

**Note 3:** Parts are tested at +85°C and guaranteed by design over the entire temperature range.

**Note 4:** ΔRON = RON(MAX) - RON(MIN).

**Note 5:** ΔRON matching specifications for TQFN packaged parts are guaranteed by design.

**Note 6:** Flatness is defined as the difference between the maximum and minimum value of on-resistance as measured over the specified analog signal ranges.

**Note 7:** Guaranteed by design.

**Note 8:** Off-Isolation = 20log<sub>10</sub> (V<sub>COM\_</sub> / V<sub>NO\_</sub>), V<sub>COM\_</sub> = output, V<sub>NO\_</sub> = input to off switch.

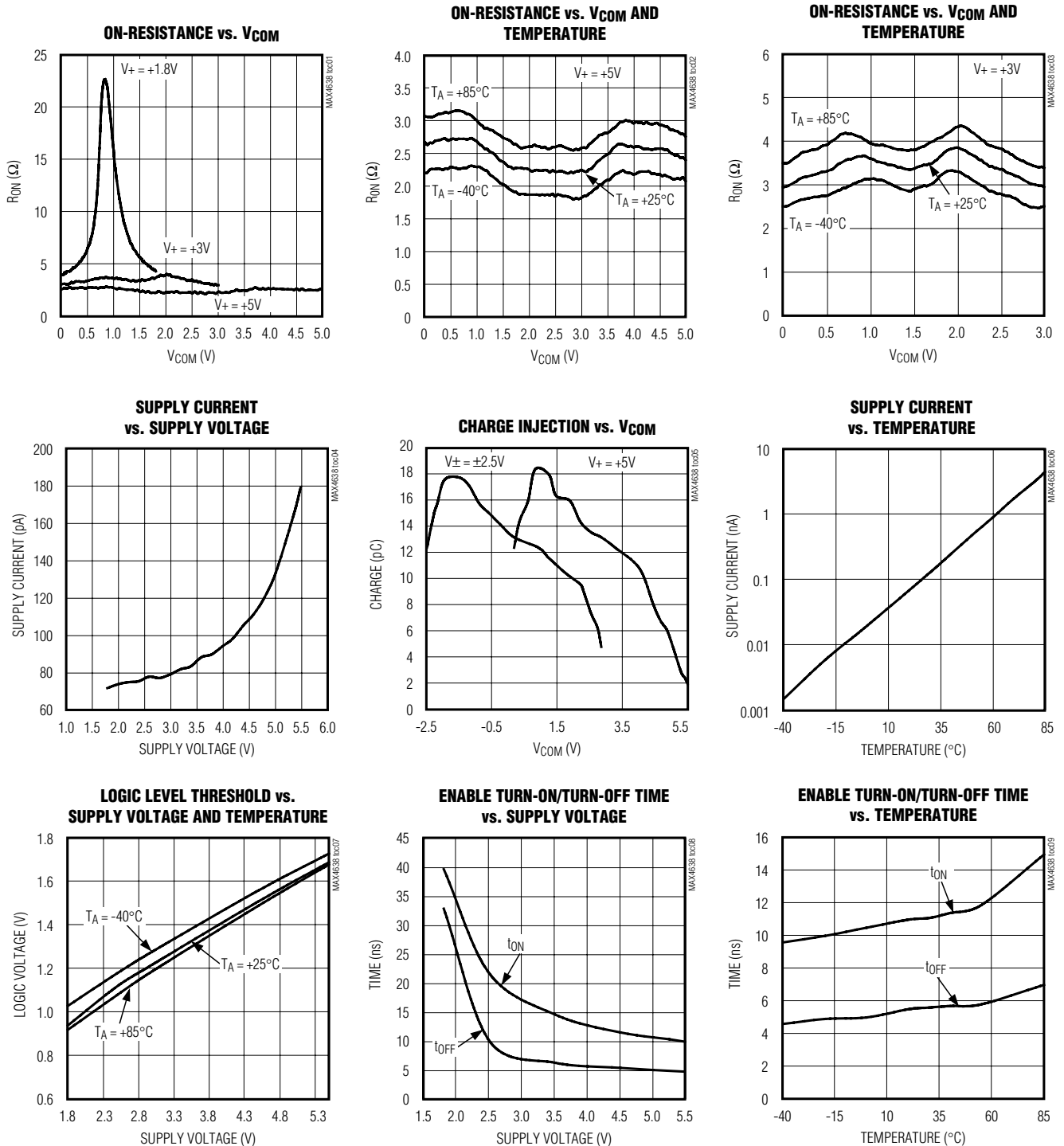
**Note 9:** Between any two switches.

# MAX4638/MAX4639

## 3.5Ω, Single 8:1 and Dual 4:1, Low-Voltage Analog Multiplexers

### Typical Operating Characteristics

(V+ = +5V, V- = 0V, T<sub>A</sub> = +25°C, unless otherwise noted.)

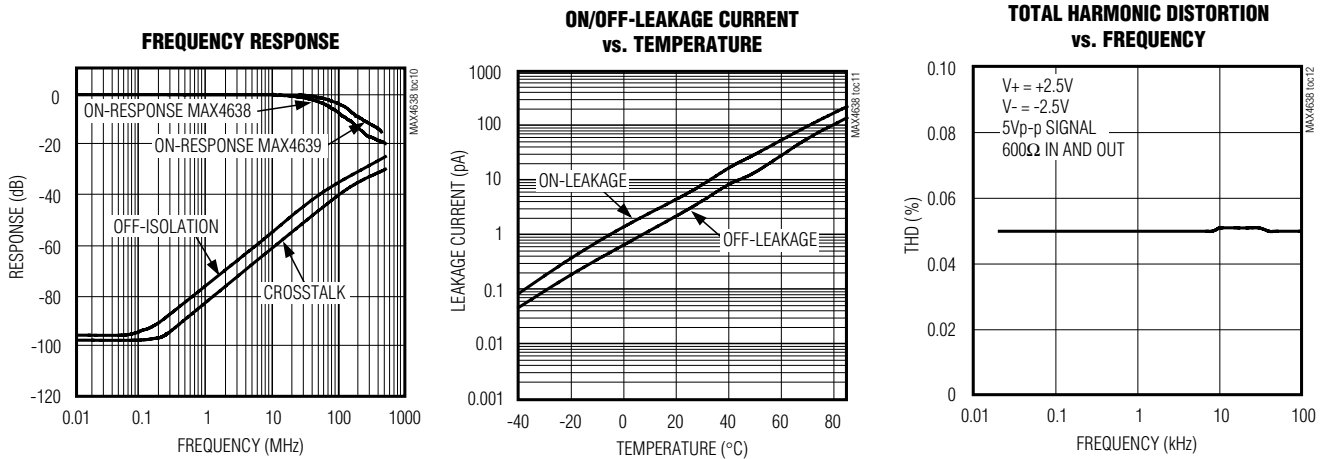


# MAX4638/MAX4639

## 3.5Ω, Single 8:1 and Dual 4:1, Low-Voltage Analog Multiplexers

### Typical Operating Characteristics (continued)

(V+ = +5V, V- = 0V, T<sub>A</sub> = +25°C, unless otherwise noted.)



### Pin Description

PIN						NAME	FUNCTION
MAX4638			MAX4639				
DIP/SO	TQFN-EP		DIP/SO	TQFN-EP			
	16-PIN	20-PIN		16-PIN	20-PIN		
1, 15, 16	15, 13, 14	19, 18, 17	—	—	—	A0, A2, A1	Address Inputs
—	—	—	1, 16	15, 14	19, 17	A0, A1	Address Inputs
2	16	1	2	16	1	EN	Enable
3	1	2	3	1	2	V-	Negative-Supply Voltage Input
4-7	2-5	3-6	—	—	—	NO1-NO4	Bidirectional Analog Inputs
—	—	—	4-7	2-5	3-6	NO1A-NO4A	Bidirectional Analog Inputs
8	6	7	—	—	—	COM	Bidirectional Analog outputs
—	—	—	8, 9	6, 7	7, 9	COMA, COMB	Bidirectional Analog outputs
9-12	7-10	10-13	—	—	—	NO8-NO5	Bidirectional Analog Inputs
—	—	—	10-13	8-11	10-13	NO4B-NO1B	Bidirectional Analog Inputs
13	11	14	14	12	14	V+	Positive-Supply Voltage Input
14	12	15	15	13	15	GND	Ground
—	—	8, 9, 16, 20	—	—	8, 16, 18, 20	N.C.	No Connection. Not internally connected.
—	—	—	—	—	—	EP	Exposed Pad (TQFN Only). Connect EP to V-.

# MAX4638/MAX4639

## 3.5Ω, Single 8:1 and Dual 4:1, Low-Voltage Analog Multiplexers

### Detailed Description

The MAX4638/MAX4639 are low-voltage, CMOS analog muxes. The MAX4638 is an 8:1 mux that switches one of eight inputs (NO1–NO8) to a common output (COM) as determined by the 3-bit binary inputs A0, A1, and A2. The MAX4639 is a 4:1 dual mux that switches one of four differential inputs to a common differential output as determined by the 2-bit binary inputs A0 and A1. Both the MAX4638/MAX4639 have an EN input that can be used to enable or disable the device. When disabled, all channels are switched off. See Truth Tables.

### Applications Information

#### Overvoltage Protection

Proper power-supply sequencing is recommended for all CMOS devices. Do not exceed the absolute maximum ratings because stresses beyond the listed ratings can cause permanent damage to the devices. Always sequence V+ on first, then V-, followed by the logic inputs. If power-supply sequencing is not possible, add two small-signal diodes (D1, D2) in series with the supply pins for overvoltage protection (Figure 1). Adding diodes reduces the analog signal range to one diode drop below V+ and one diode drop above V-, but

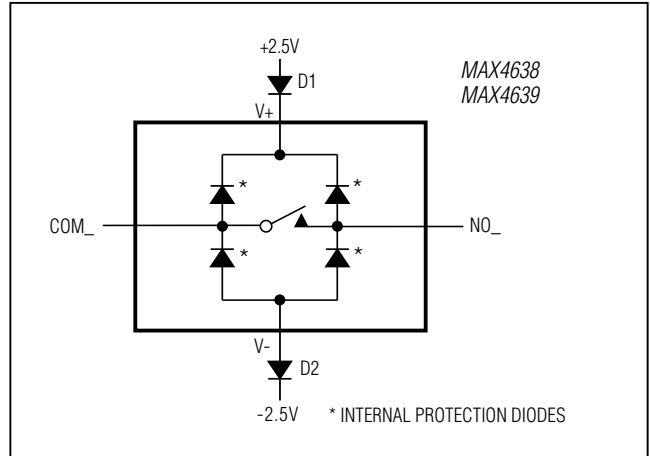


Figure 1. Overvoltage Protection Using External Blocking Diodes

does not affect the devices' low switch resistance. Device operation is unchanged, and the difference between V+ and V- should not exceed 6V. These protection diodes are not recommended when using a single supply. For single-supply operation, V- should be connected to GND as close to the device as possible.

### Truth Tables

#### MAX4638 (Single 8-to-1 Mux)

A2	A1	A0	EN	ON SWITCH
X	X	X	0	None
0	0	0	1	NO1
0	0	1	1	NO2
0	1	0	1	NO3
0	1	1	1	NO4
1	0	0	1	NO5
1	0	1	1	NO6
1	1	0	1	NO7
1	1	1	1	NO8

#### MAX4639 (Dual 4-to-1 Mux)

A1	A0	EN	COMA	COMB
X	X	0	None	None
0	0	1	NO1A	NO1B
0	1	1	NO2A	NO2B
1	0	1	NO3A	NO3B
1	1	1	NO4A	NO4B



# MAX4638/MAX4639

## 3.5Ω, Single 8:1 and Dual 4:1, Low-Voltage Analog Multiplexers

### Test Circuits/Timing Diagrams

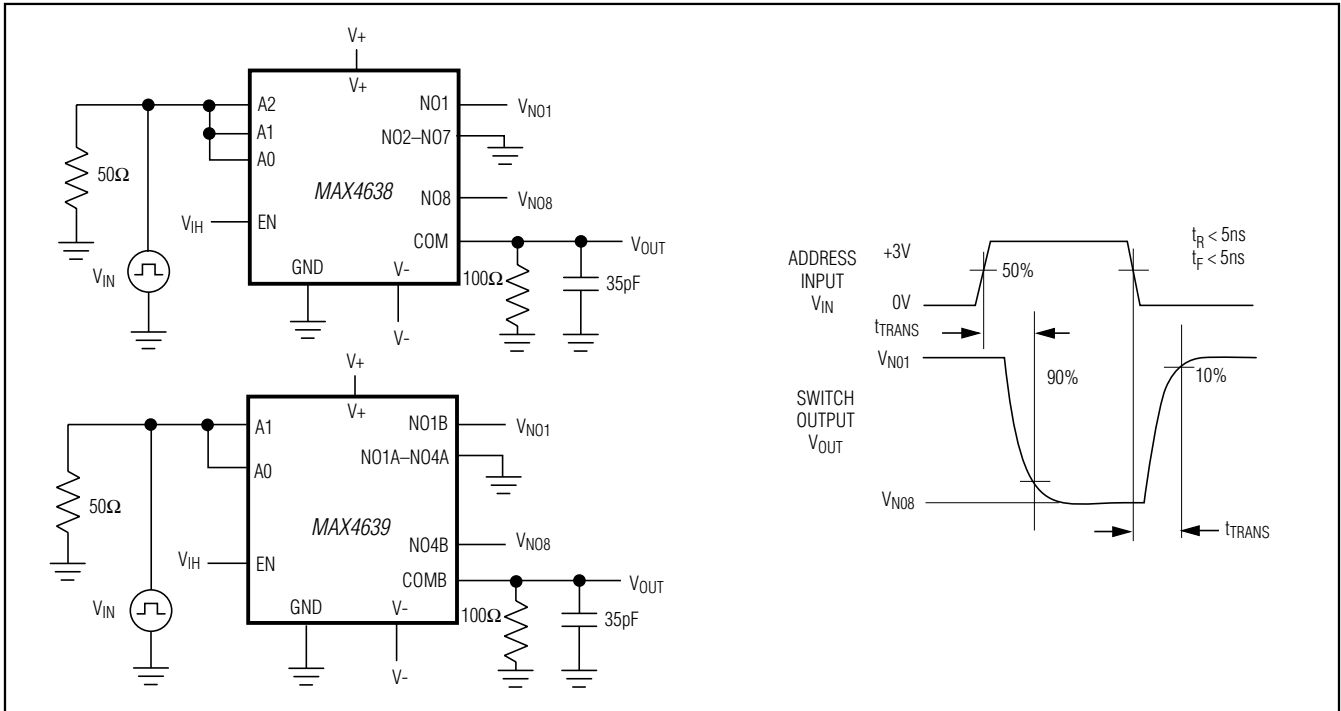


Figure 2. Transition Time

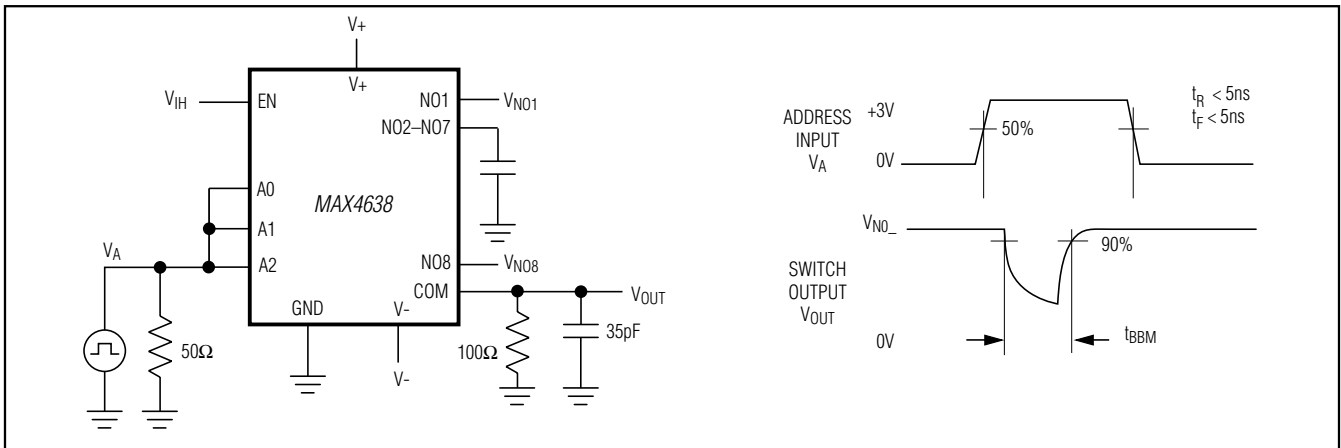


Figure 3. MAX4638 Break-Before-Make Interval

# MAX4638/MAX4639

## 3.5Ω, Single 8:1 and Dual 4:1, Low-Voltage Analog Multiplexers

### Test Circuits/Timing Diagrams (continued)

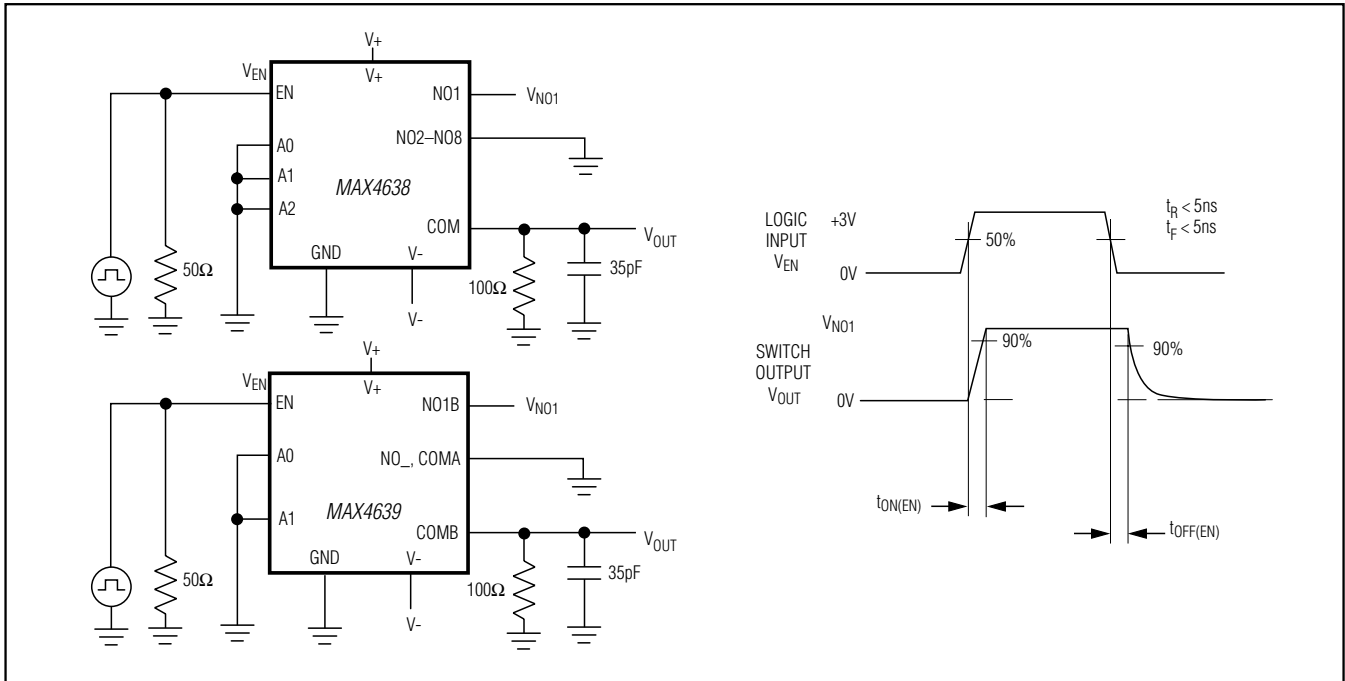


Figure 4. Enable Switching Time

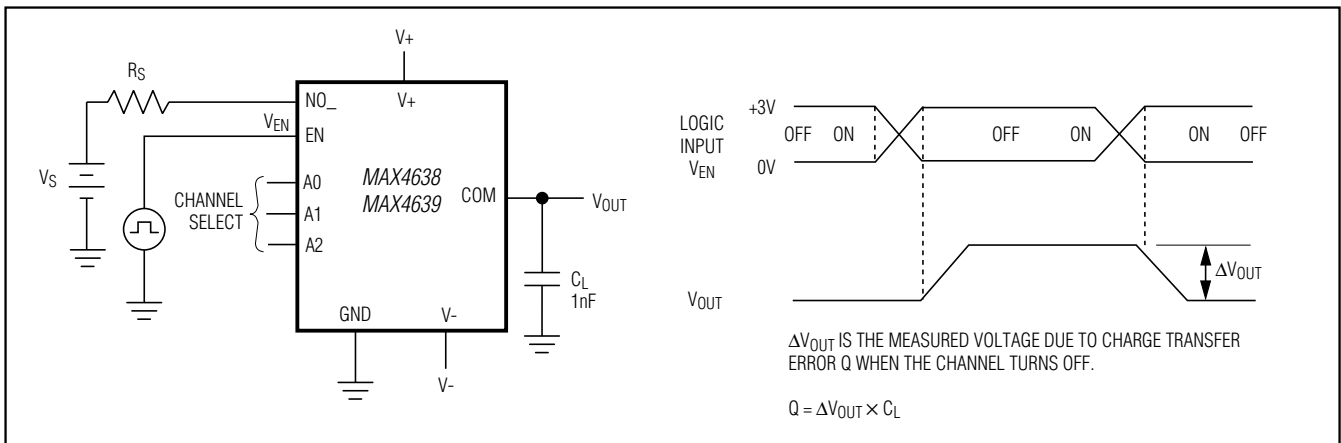


Figure 5. Charge Injection

# MAX4638/MAX4639

## 3.5Ω, Single 8:1 and Dual 4:1, Low-Voltage Analog Multiplexers

### Test Circuits/Timing Diagrams (continued)

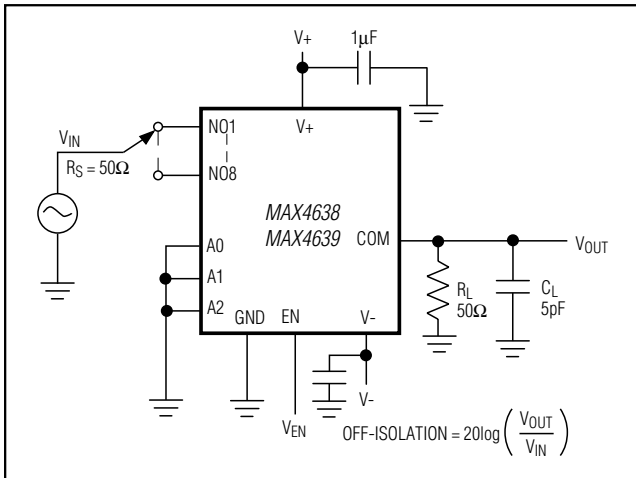


Figure 6. Off-Isolation/On-Channel Bandwidth

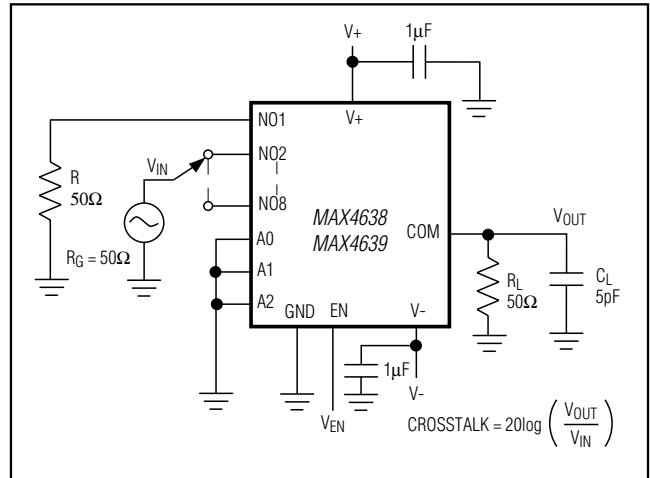


Figure 7. Crosstalk

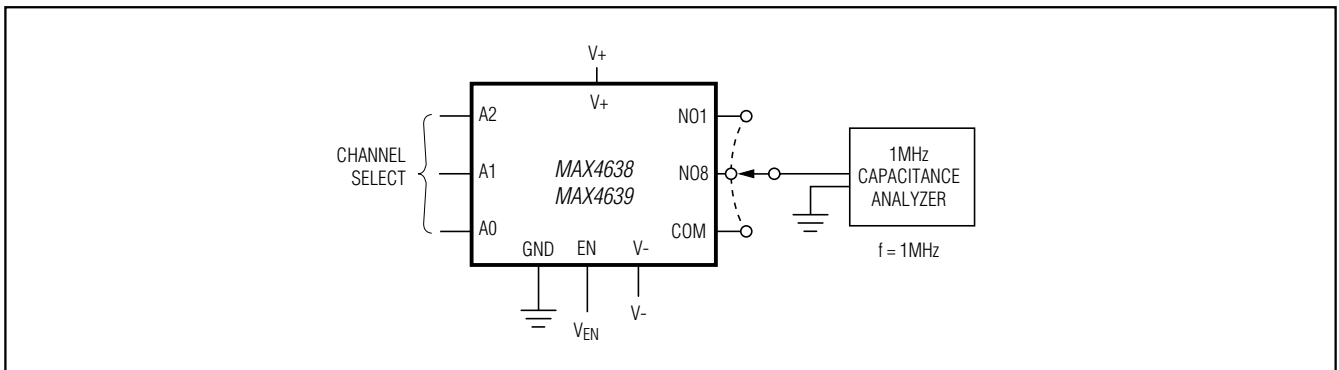
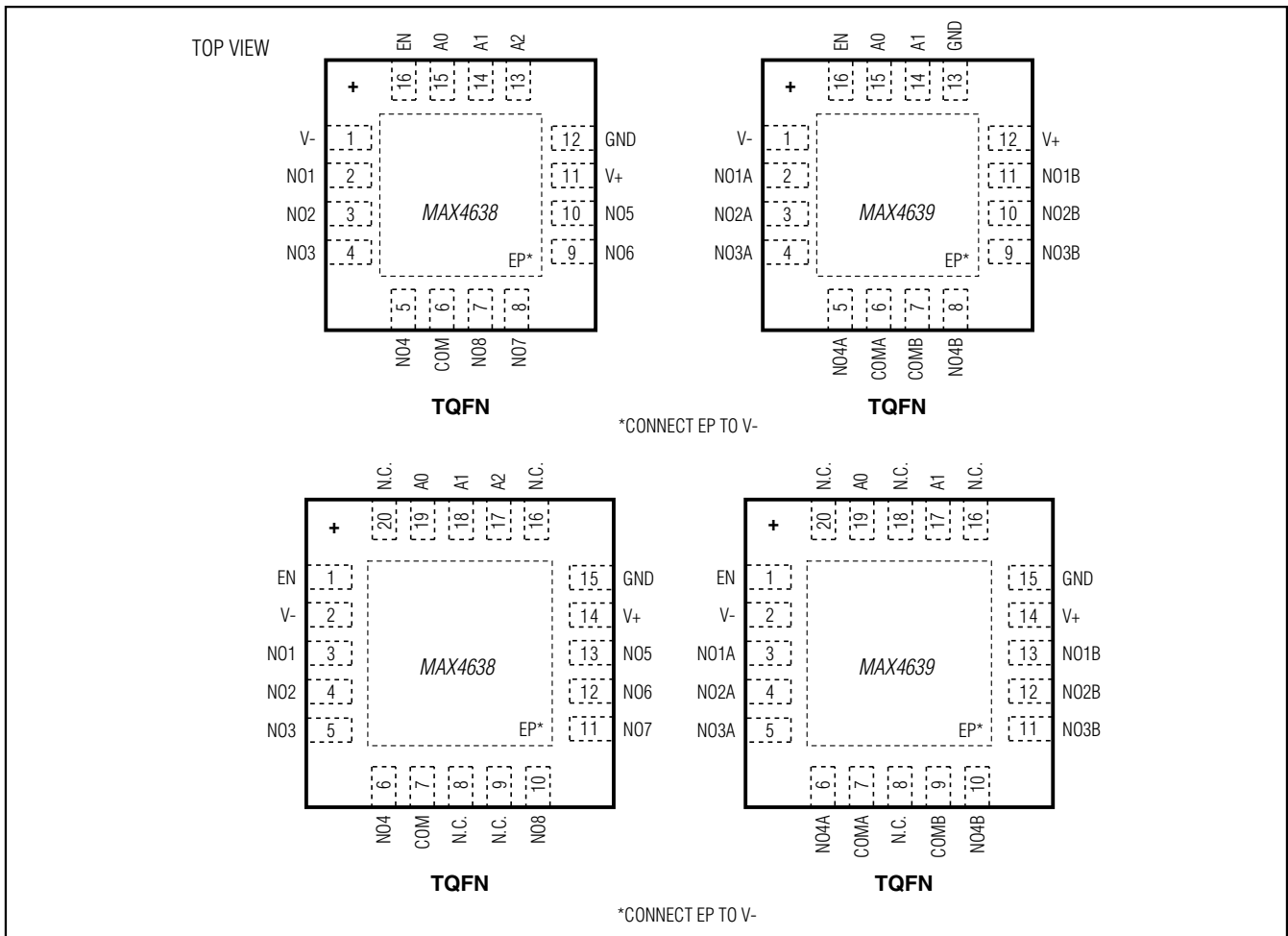


Figure 8. Channel Off/On-Capacitance

# MAX4638/MAX4639

## 3.5Ω, Single 8:1 and Dual 4:1, Low-Voltage Analog Multiplexers

### Pin Configurations (continued)



### Ordering Information (continued)

PART	TEMP RANGE	PIN-PACKAGE
MAX4639ETE+T	-40°C to +85°C	16 TQFN-EP* (4 × 4)
MAX4639EUE+T	-40°C to +85°C	16 TSSOP
MAX4639ESE+T	-40°C to +85°C	16 SO
MAX4639ETP+T	-40°C to +85°C	20 TQFN-EP* (4 × 4)

+Denotes a lead(Pb)-free/RoHS-compliant package.

T = Tape and reel.

\*EP = Exposed pad.

### Chip Information

PROCESS: BiCMOS

### Package Information

For the latest package outline information and land patterns (footprints), go to [www.maximintegrated.com/packages](http://www.maximintegrated.com/packages). Note that a "+", "#", or "-" in the package code indicates RoHS status only. Package drawings may show a different suffix character, but the drawing pertains to the package regardless of RoHS status.

PACKAGE TYPE	PACKAGE CODE	OUTLINE NO.	LAND PATTERN NO.
16 TQFN	T1644+4	<a href="#">21-0139</a>	<a href="#">90-0070</a>
20 TQFN	T1644+3	<a href="#">21-0139</a>	<a href="#">90-0069</a>
16 TSSOP	U16+2	<a href="#">21-0066</a>	<a href="#">90-0117</a>
16 SO	S16+3	<a href="#">21-0041</a>	<a href="#">90-0097</a>

# MAX4638/MAX4639

## 3.5Ω, Single 8:1 and Dual 4:1,Z Low-Voltage Analog Multiplexers

### Revision History

REVISION NUMBER	REVISION DATE	DESCRIPTION	PAGES CHANGED
2	9/10	—	—
3	10/12	Added RoHS ordering information throughout data sheet	1–16



Maxim Integrated cannot assume responsibility for use of any circuitry other than circuitry entirely embodied in a Maxim Integrated product. No circuit patent licenses are implied. Maxim Integrated reserves the right to change the circuitry and specifications without notice at any time. The parametric values (min and max limits) shown in the Electrical Characteristics table are guaranteed. Other parametric values quoted in this data sheet are provided for guidance.

# Mouser Electronics

Authorized Distributor

Click to View Pricing, Inventory, Delivery & Lifecycle Information:

## Maxim Integrated:

[MAX4639EUE+](#) [MAX4638ESE+](#) [MAX4638ESE+T](#) [MAX4638ETE+](#) [MAX4638ETE+T](#) [MAX4638EUE+](#)  
[MAX4638EUE+T](#) [MAX4639ESE+](#) [MAX4639ESE+T](#) [MAX4639EUE+T](#) [MAX4639ETE+T](#)