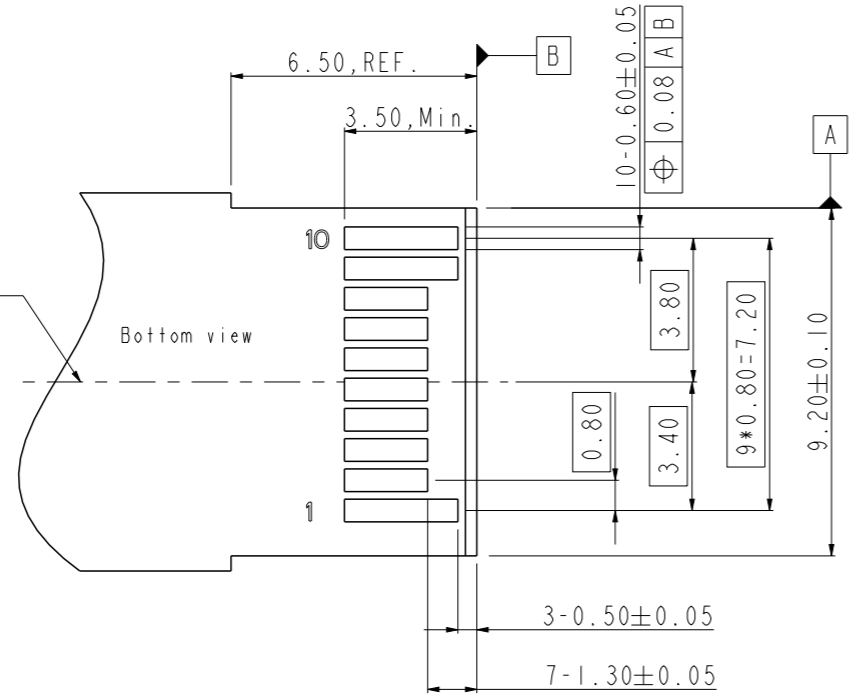
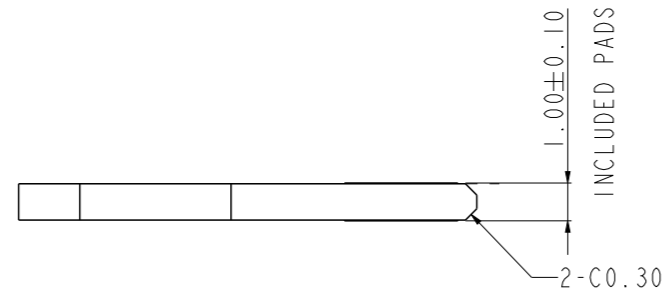
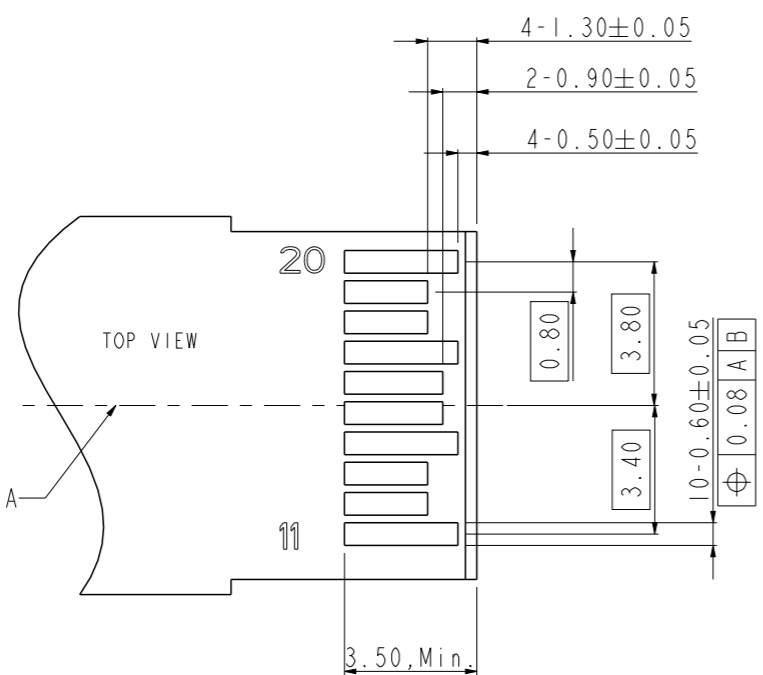
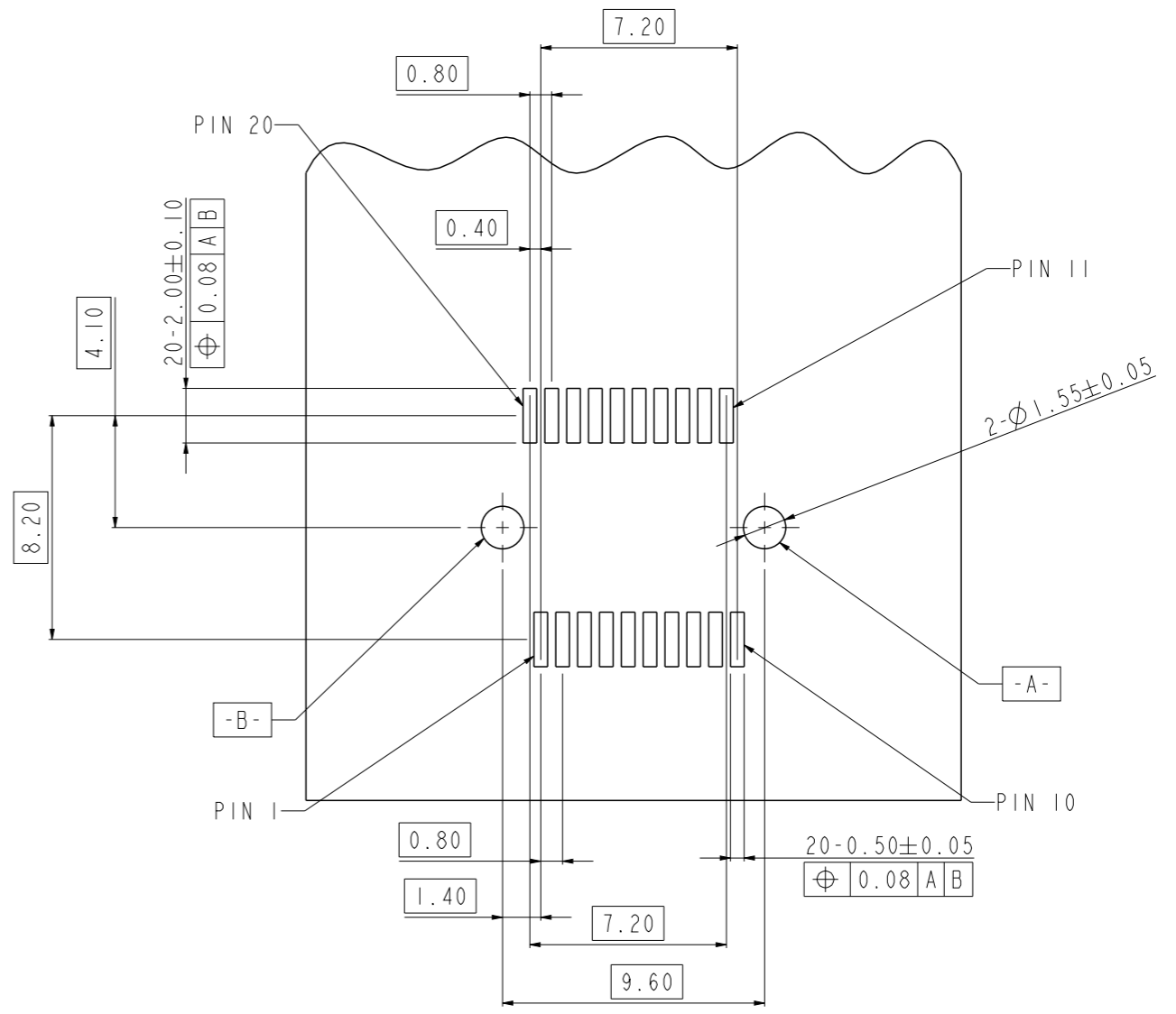


PRODUCT NO  
10056847-XYILF



PART NUMBER	HOUSING (Peg length option)	TERMINALS (Contact plating options)	TERMINALS (Underplating and Solder tail plating)	REMARK
10056847-10ILF	Peg length=1.15mm	0.76um, Min.Gold	Underplating:2.54um Min. Nickel overall. Solder tail: 3um Min. Matte Tin.	
10056847-11ILF	Peg length=0.75mm	0.76um, Min.Gold	Underplating:2.54um Min. Nickel overall. Solder tail: 3um Min. Matte Tin.	
10056847-90ILF	Peg length=1.15mm	0.76um, Min.GXT	Underplating:2.54um Min. Nickel overall. Solder tail: 3um Min. Matte Tin.	
10056847-91ILF	Peg length=0.75mm	0.76um, Min.GXT	Underplating:2.54um Min. Nickel overall. Solder tail: 3um Min. Matte Tin.	



RECOMMENDED PCB LAYOUT  
CONNECTOR MOUNTING SIDE  
SCALE 4.000

RECOMMENDED LAYOUT  
MATING PCB SIDE

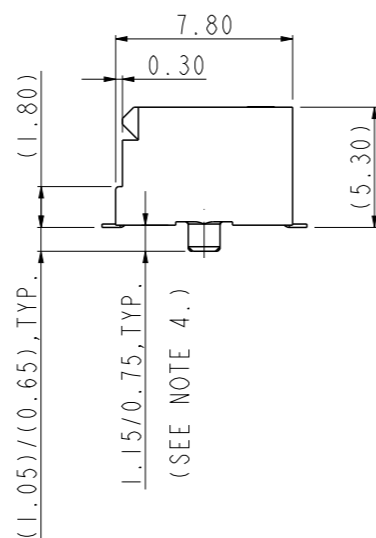
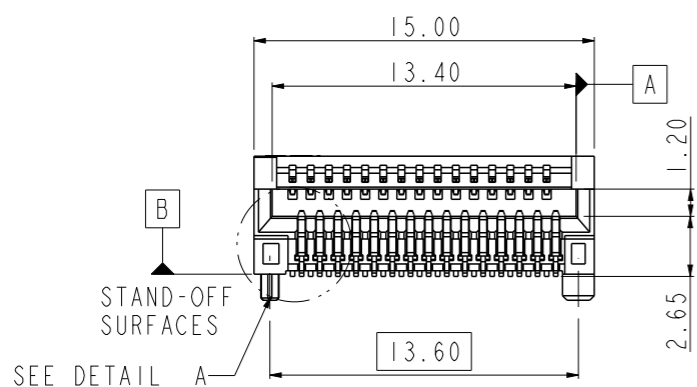
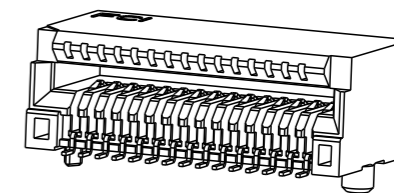
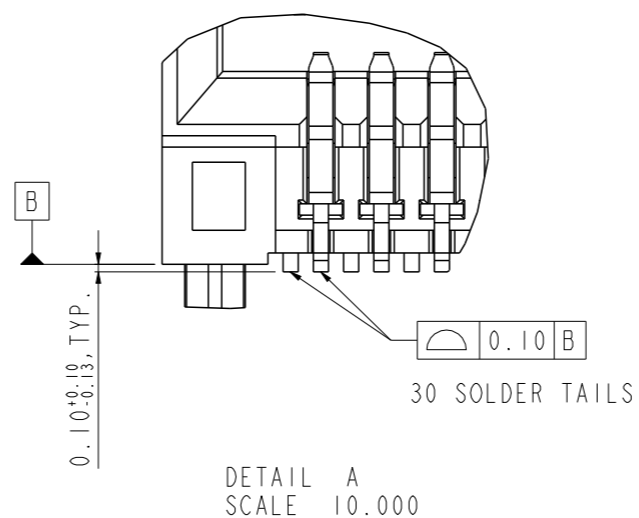
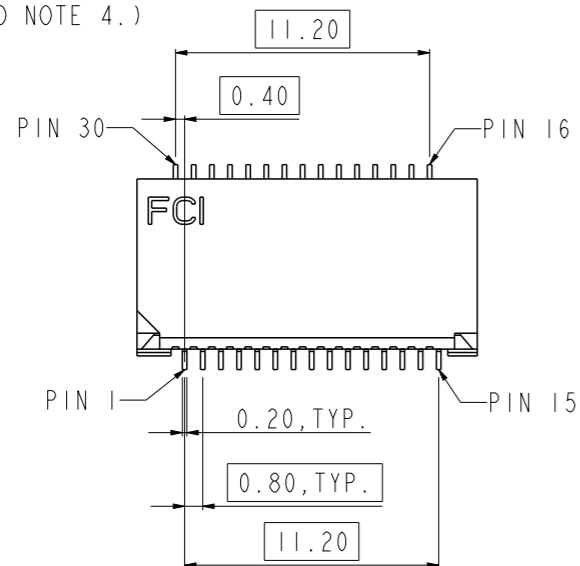
spec ref *	dr wadmin	2006/09/11	projection	MM	size A3	scale 5.000
tolerance std	eng De-Feng, Qin	2012/03/07			ecn no ELX-DG-010299-1	rel level Released
ISO 406 ISO 1101	chr Terry Qiu	2012/03/15				
surface ✓	linear	0.X ± 0.30		title RIGHR ANGLE TYPE, 20POS. EDGE CARD CONNECTOR	dwg no 10056847	rev G
		0.XX ± 0.13				
0.XXX ± 0.05						
ISO 1302	angular	0° ± 3°	www.fci.com	cat. no.	Product - Customer Drw	sheet 2 of 6



Copyright FCI.

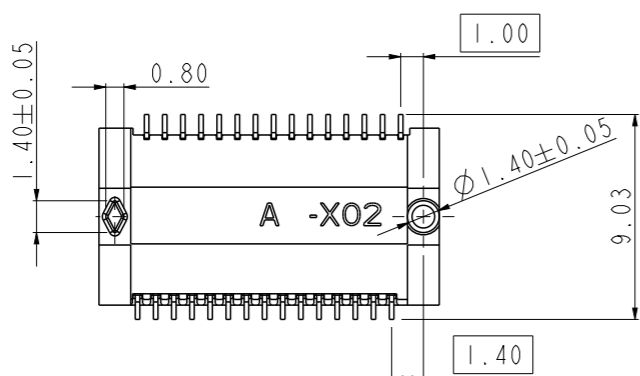
PRODUCT NO  
10056847-XY2LF

(SYMBOLS "X" AND "Y"  
DEFINES ORDERING DATA,  
PLEASE REFER TO NOTE 4.)



NOTE:

- Material:  
HOUSING: HIGH TEMPERATURE LCP, BLACK  
UL 94 V-0 FLAME RETARDANT.  
TERMINAL: COPPER ALLOY.  
PLATING SPEC AS BELOW:  
FOR CONTACT AREA:  
-1Y2LF FOR 0.76 MICROMETERS MIN. THICKNESS GOLD.  
-9Y2LF FOR 0.76 MICROMETERS MIN. THICKNESS GXT.  
FOR SOLDER AREA:  
MATTE PURE TIN 3 MICROMETERS MIN. FOR THREE TYPES.  
FOR UNDERPLATING:  
-1Y2LF AND -9Y2LF: 2.54 MICROMETERS MIN. THICKNESS NICKEL
- PACKING SPEC. GS-14-1030
- PRODUCT SPEC. GS-12-339.
- PART NUMBER SCHEME: (EX. 10056847-XY2LF), PLEASE FIND THE PAGE 2 FOR OPTIONS.  
(SYMBOL "X" IS FOR SELECTED PLATING AND "LF" MEANS LEAD FREE PRODUCT.  
(SYMBOL "Y" IS FOR PEG LENGTH SELECTION:  
"0" DEFINES FOR LENGTH=1.15mm AND "1" DEFINES FOR LENGTH=0.75mm.
- LEAD FREE NOTES:  
5a. THE HOUSING WILL WITHSTAND EXPOSURE TO 260° C PEAK TEMPERATURE FOR 10 SECONDS IN A CONVECTION, INFRA-RED OR VAPOR PHASE REFLOW OVEN.  
5b. THIS PRODUCT MEETS EUROPEAN UNION DIRECTIVES AND OTHER COUNTRY REGULATIONS AS DESCRIBED IN GS-22-008.
- THIS CONNECTOR IS DESIGNED TO WORK WITH RAIL SYSTEM THAT ALLOW THE MODULE TO "FLOAT" IN THE VERTICAL PLANE AND FIND EQUILIBRIUM BETWEEN THE UPPER AND LOWER CONNECTOR ROWS. THIS CONNECTOR WILL NOT PERFORM PROPERLY IF USED IN SYSTEMS THAT MECHANICALLY BIAS THE MODULE IN THE VERTICAL PLANE SUCH AS RAIL RAIL SYSTEMS WITH EMI SPRINGS.

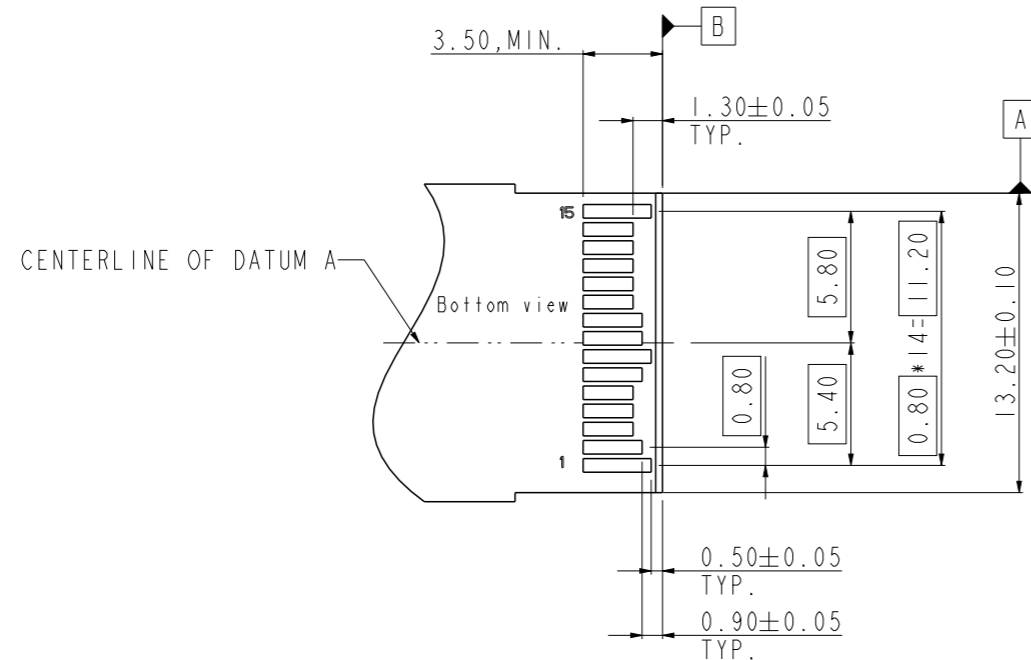
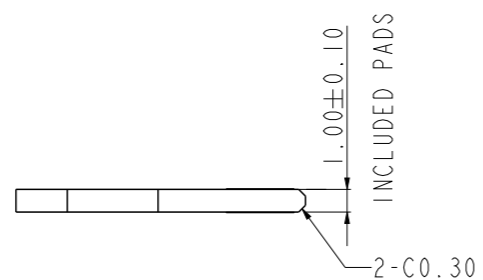
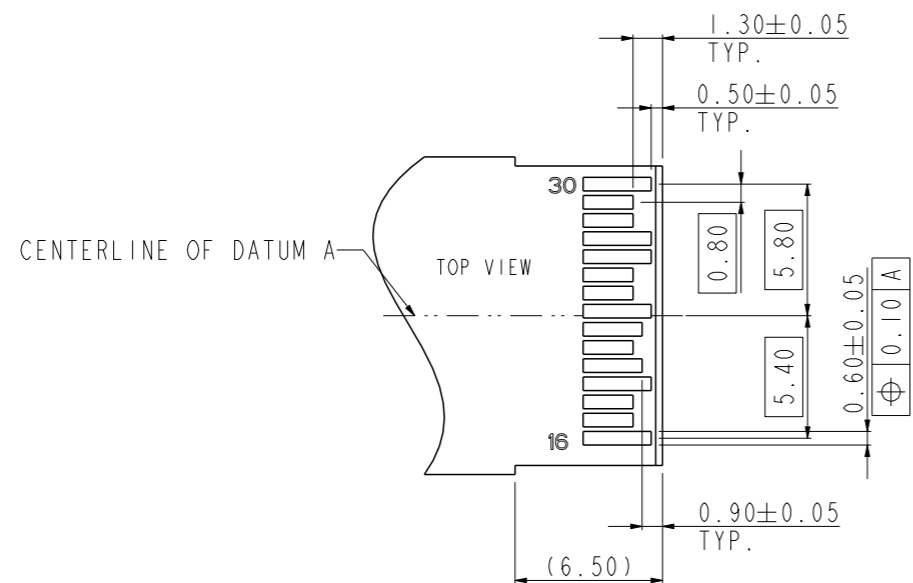


spec ref	*	dr	wcadmin	2006/09/11	projection	MM	size	A3	scale	3.000
tolerance std	ISO 406 ISO 1101	eng	De-Feng, Qin	2012/03/07			ecn no	ELX-DG-010299-1	rel level	Released
TOLERANCES UNLESS OTHERWISE SPECIFIED		chr	Terry Qiu	2012/03/15						
surface	linear	0.X	± 0.30		RIGHR ANGLE TYPE, 20POS. EDGE CARD CONNECTOR	title	dwg no 10056847	rev G	Product - Customer Drw	
		0.XX	± 0.13						cat. no.	sheet 3 of 6
	angular	0°	± 3°						PDS: Rev :G	



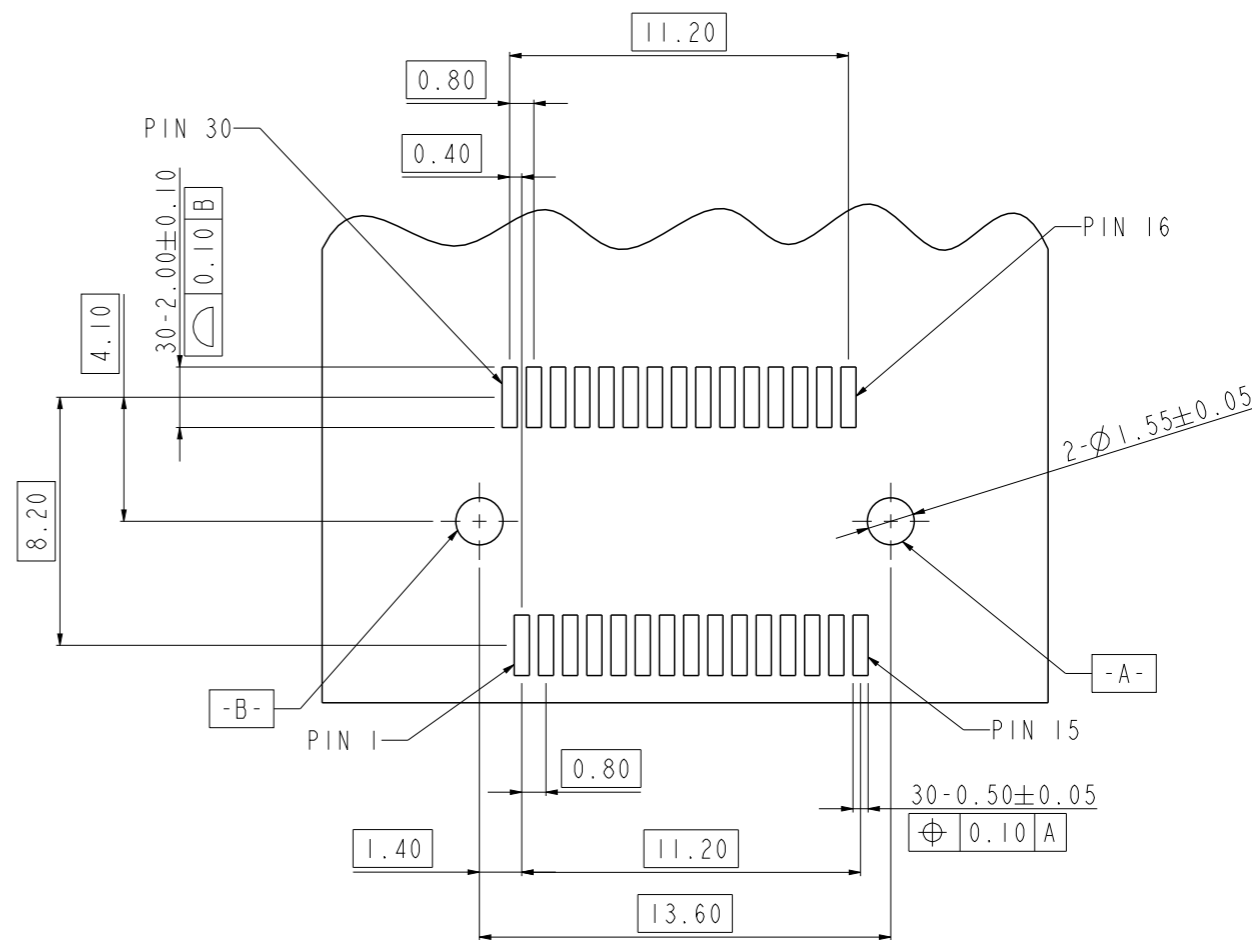
Copyright FCI.

PRODUCT NO  
10056847-XY2LF



RECOMMENDED LAYOUT  
MATING PCB SIDE

PART NUMBER	HOUSING (Peg length option)	TERMINALS (Contact plating options)	TERMINALS (Underplating and Solder tail plating)	REMARK
10056847-102LF	Peg length=1.15mm	0.76um, Min.Gold	Underplating:2.54um Min. Nickel overall. Solder tail: 3um Min. Matte Tin.	
10056847-112LF	Peg length=0.75mm	0.76um, Min.Gold	Underplating:2.54um Min. Nickel overall. Solder tail: 3um Min. Matte Tin.	
10056847-902LF	Peg length=1.15mm	0.76um, Min.GXT	Underplating:2.54um Min. Nickel overall. Solder tail: 3um Min. Matte Tin.	
10056847-912LF	Peg length=0.75mm	0.76um, Min.GXT	Underplating: 1.0um Min. NXT(AmNi) overall. Solder Tail: 3um Min. Matte Tin.	



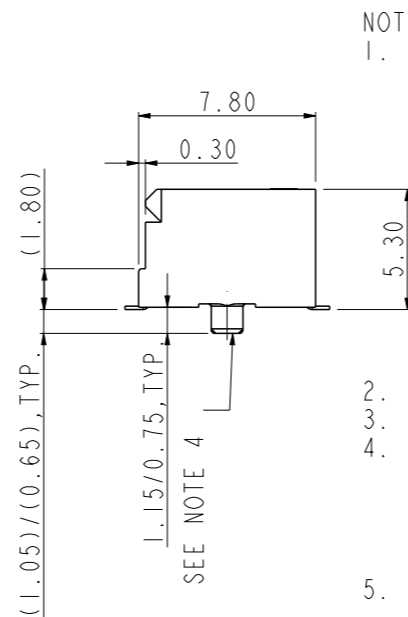
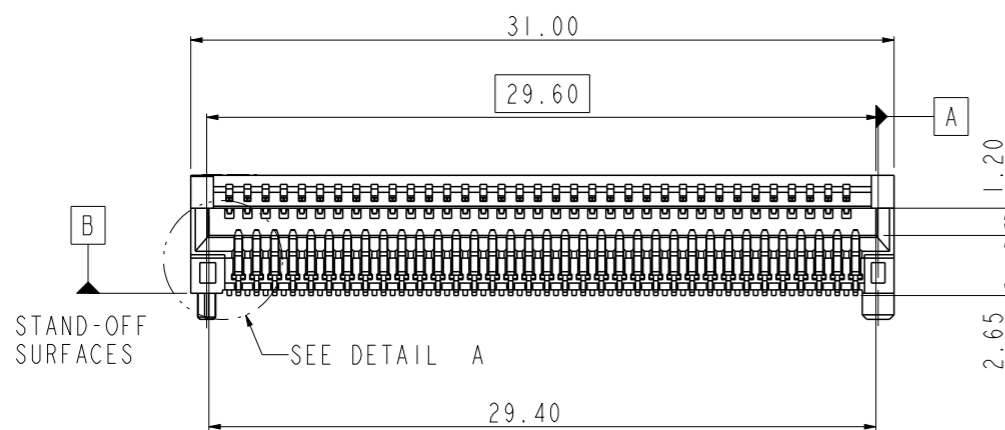
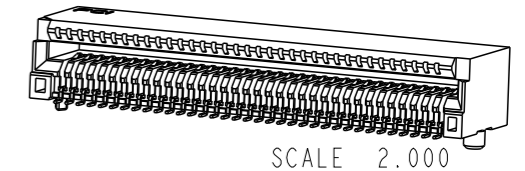
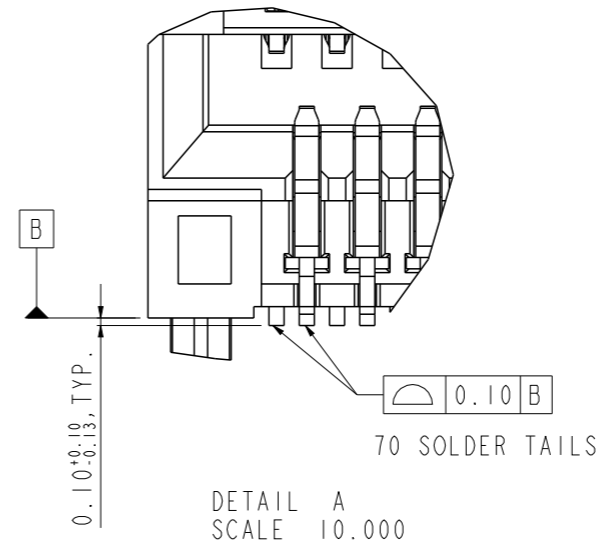
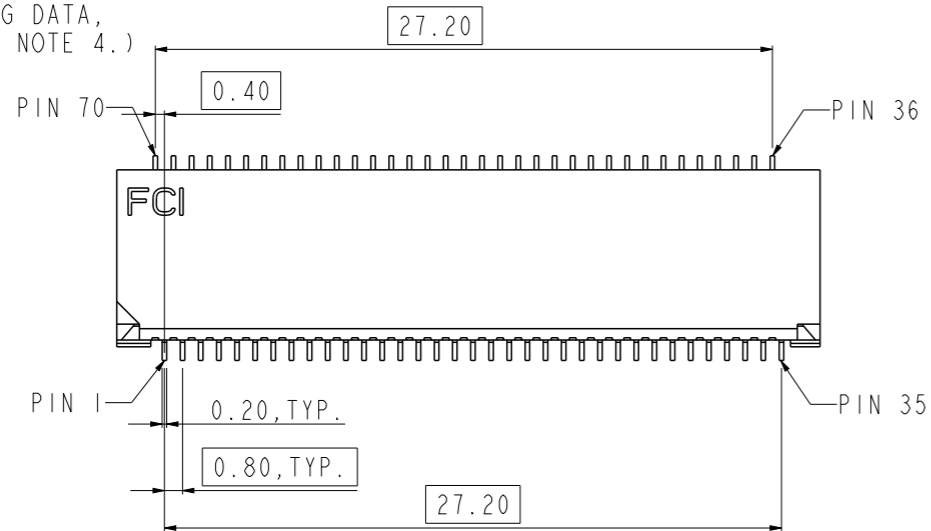
RECOMMENDED PCB LAYOUT  
CONNECTOR MOUNTING SIDE

SCALE 4.000

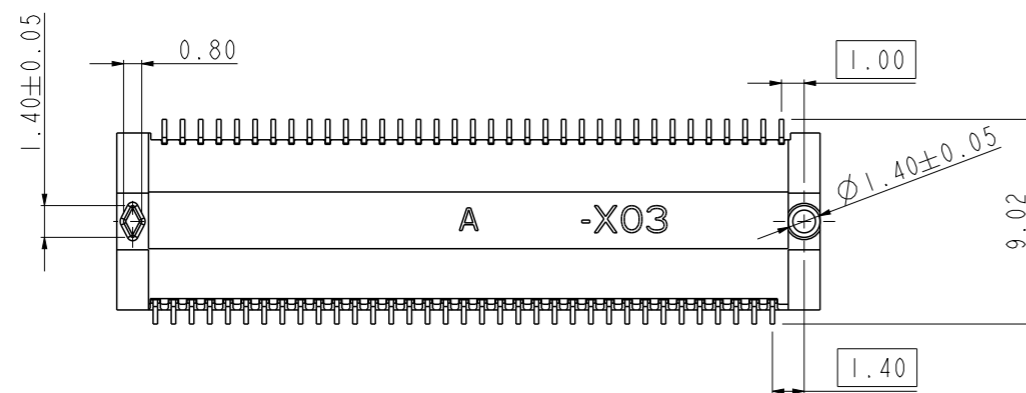
spec ref	*	dr	wcadmin	2006/09/11	projection	MM	size	A3	scale	1.000
tolerance std	ISO 406 ISO 1101	eng	De-Feng, Qin	2012/03/07			ecn no	ELX-DG-010299-1		
	TOLERANCES UNLESS OTHERWISE SPECIFIED	chr	Terry Qiu	2012/03/15			rel level	Released		
surface	linear	appr	Pei-Ming Zheng	2012/03/15	product family		rel level	Released		
	angular	0°	± 3°	www.fci.com	cat. no.	Product - Customer Drw	sheet 4 of 6			
		0.X	± 0.30		title RIGHR ANGLE TYPE, 20POS. EDGE CARD CONNECTOR	dwg no 10056847	rev G			
		0.XX	± 0.13							
		0.XXX	± 0.05							

PRODUCT NO  
10056847-XY3LF

(SYMBOLS "X" AND "Y"  
DEFINES ORDERING DATA,  
PLEASE REFER TO NOTE 4.)



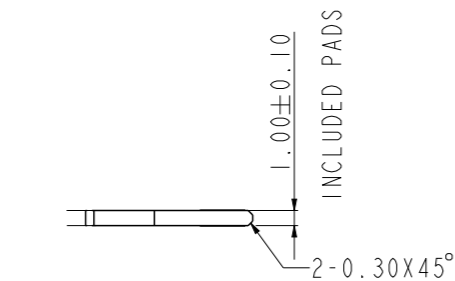
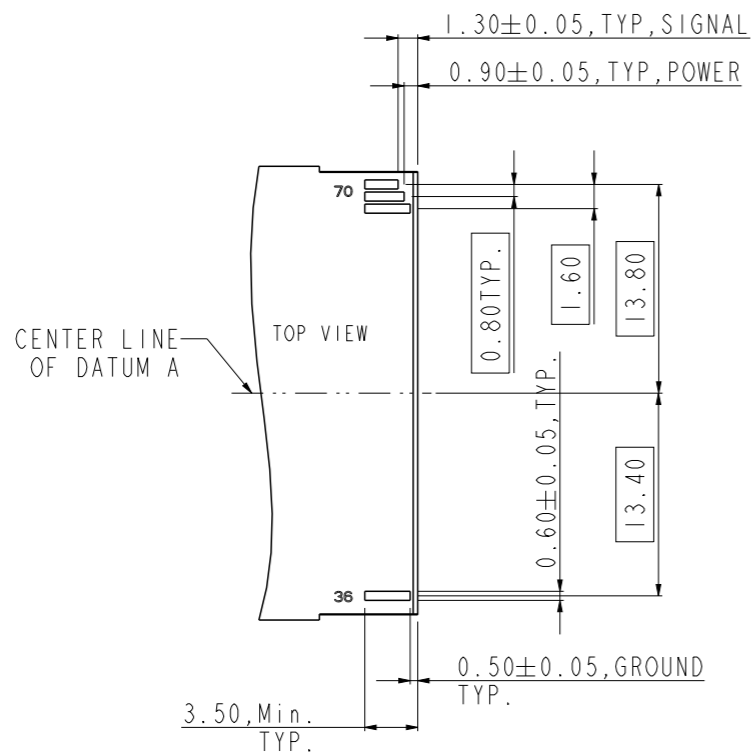
- NOTE:
- Material:  
HOUSING: HIGH TEMPERATURE LCP, BLACK  
UL 94 V-0 FLAME RETARDANT.  
TERMINAL: COPPER ALLOY.  
PLATING SPEC AS BELOW:  
FOR CONTACT AREA:  
-1Y3LF FOR 0.76 MICROMETERS MIN. THICKNESS GOLD.  
-9Y3LF FOR 0.15 MICROMETERS MIN. THICKNESS GXT  
FOR SOLDER AREA:  
MATTE PURE TIN 3 MICROMETERS MIN. FOR THREE TYPES.  
FOR UNDERPLATING:  
-1Y3LF AND -9Y3LF: 2.54 MICROMETERS MIN. THICKNESS NICKEL
  - PACKING SPEC. GS-14-1030
  - PRODUCT SPEC. GS-12-339.
  - PART NUMBER SCHEME: (EX. 10056847-XY3LF), PLEASE FIND THE PAGE 2 FOR OPTIONS.  
(SYMBOL "X" IS FOR SELECTED PLATING AND  
"LF" MEANS LEAD FREE PRODUCT.  
(SYMBOL "Y" IS FOR PEG LENGTH SELECTION:  
"0" DEFINES FOR LENGTH=1.15mm AND "1" DEFINES FOR LENGTH=0.75mm.
  - LEAD FREE NOTES:  
5a. THE HOUSING WILL WITHSTAND EXPOSURE TO 260° C PEAK TEMPERATURE FOR 10 SECONDS IN A COVECTION, INFRA-RED OR VAPOR PHASE REFLOW OVEN.  
5b. THIS PRODUCT MEETS EUROPEAN UNION DIRECTIVES AND OTHER COUNTRY REGULATIONS AS DESCRIBED IN GS-22-008.
  - THIS CONNECTOR IS DESIGNED TO WORK WITH RAIL SYSTEM THAT ALLOW THE MODULE TO "FLOAT" IN THE VERTICAL PLANE AND FIND EQUILIBRIUM BETWEEN THE UPPER AND LOWER CONNECTOR ROWS. THIS CONNECTOR WILL NOT PERFORM PROPERLY IF USED IN SYSTEMS THAT MECHANICALLY BIAS THE MODULE IN THE VERTICAL PLANE SUCH AS RAIL RAIL SYSTEMS WITH EMI SPRINGS.



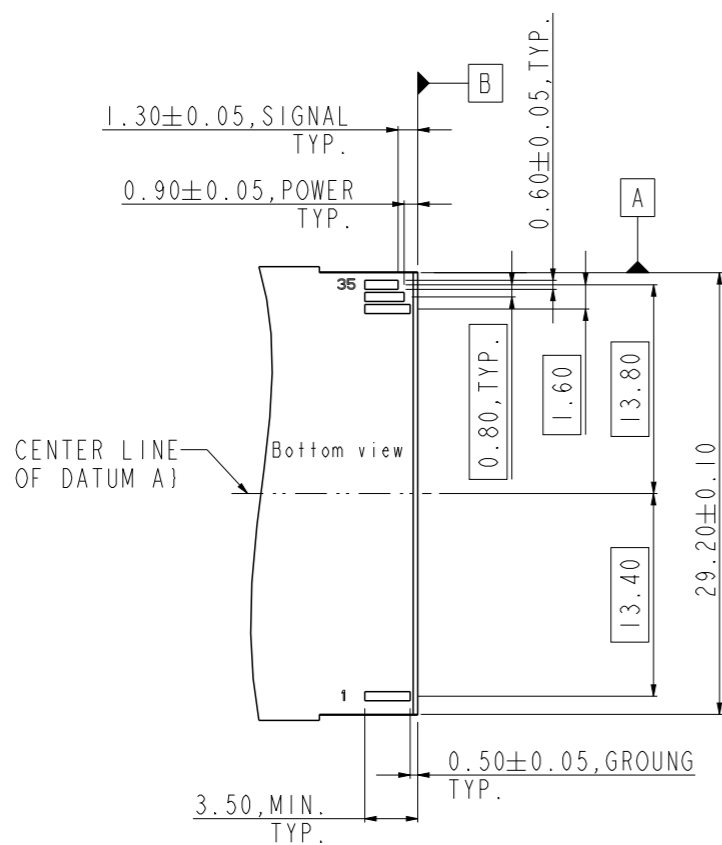
spec ref	*	dr	wcadmin	2006/09/11	projection	MM	size	A3	scale	1.000
tolerance std	ISO 406 ISO 1101	eng	De-Feng, Qin	2012/03/07			ecn no	ELX-DG-010299-1	rel level	Released
TOLERANCES UNLESS OTHERWISE SPECIFIED		chr	Terry Qiu	2012/03/15						
surface	linear	0.X	± 0.30		title RIGHR ANGLE TYPE, 20POS. EDGE CARD CONNECTOR	dwg no 10056847	rev G	ISO 1302 angular 0° ± 3°		
		0.XX	± 0.13					cat. no.	Product - Customer Drw	sheet 5 of 6
		0.XXX	± 0.05					PDS: Rev :G STATUS:Released Printed: Mar 15, 2012		



PRODUCT NO  
10056847-XY3LF

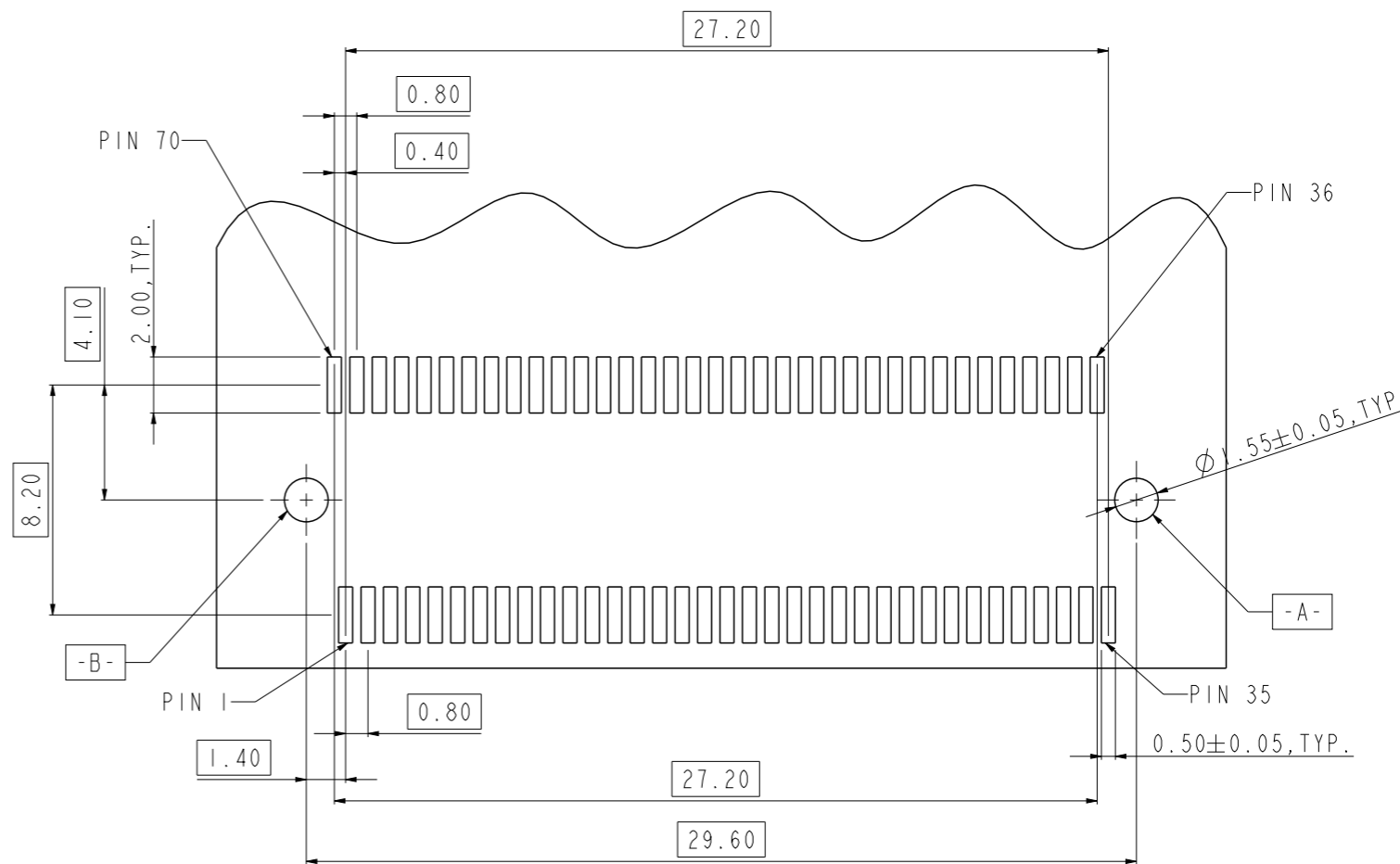


SCALE 2.000



RECOMMENDED LAYOUT  
MATING PCB SIDE

PART NUMBER	HOUSING (Peg length option)	TERMINALS (Contact plating options)	TERMINALS (Underplating and Solder tail plating)	REMARK
10056847-103LF	Peg length=1.15mm	0.76um, Min.Gold	Underplating:2.54um Min. Nickel overall. Solder tail: 3um Min. Matte Tin.	
10056847-113LF	Peg length=0.75mm	0.76um, Min.Gold	Underplating:2.54um Min. Nickel overall. Solder tail: 3um Min. Matte Tin.	
10056847-903LF	Peg length=1.15mm	0.76um, Min.GXT	Underplating:2.54um Min. Nickel overall. Solder tail: 3um Min. Matte Tin.	
10056847-913LF	Peg length=0.75mm	0.76um, Min.GXT	Underplating:2.54um Min. Nickel overall. Solder tail: 3um Min. Matte Tin.	



RECOMMENDED PCB LAYOUT  
CONNECTOR MOUNTING SIDE

SCALE 4.000

spec ref	*	dr	wcadmin	2006/09/11	projection	MM	size	A3	scale	1.000	
tolerance std	ISO 406 ISO 1101	eng	De-Feng, Qin	2012/03/07			ecn no	ELX-DG-010299-1			
surface	ISO 1302	chr	Terry Qiu	2012/03/15			rel level	Released			
linear	0.X ± 0.30 0.XX ± 0.13 0.XXX ± 0.05	appr	Pei-Ming Zheng	2012/03/15	product family		dwg no	10056847		rev	G
angular	0° ± 3°	www.fci.com			cat. no.	Product - Customer Drw	sheet 6 of 6				

# Mouser Electronics

Authorized Distributor

Click to View Pricing, Inventory, Delivery & Lifecycle Information:

[FCI / Amphenol:](#)

[10056847-101LF](#) [10056847-102LF](#) [10056847-103LF](#) [10056847-902LF](#) [10056847-901LF](#) [10056847-903LF](#)  
[10056847901L](#)