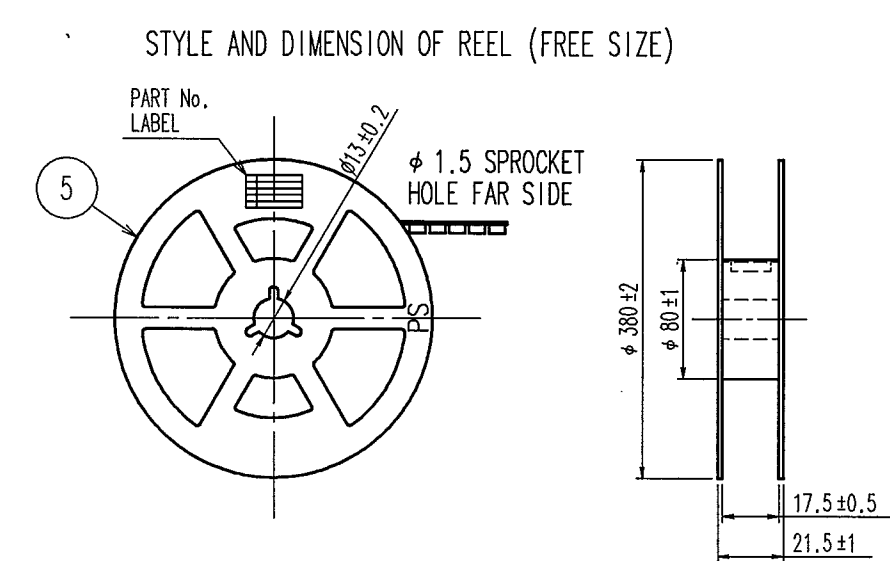
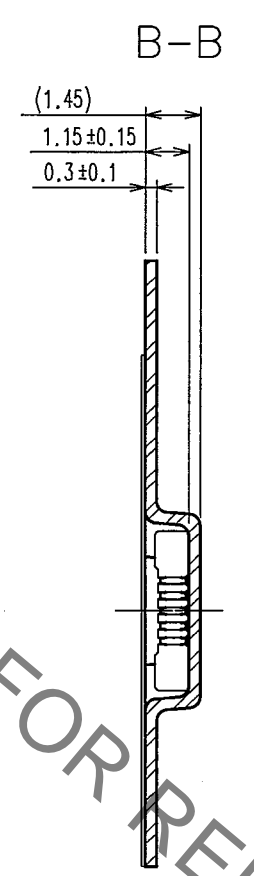
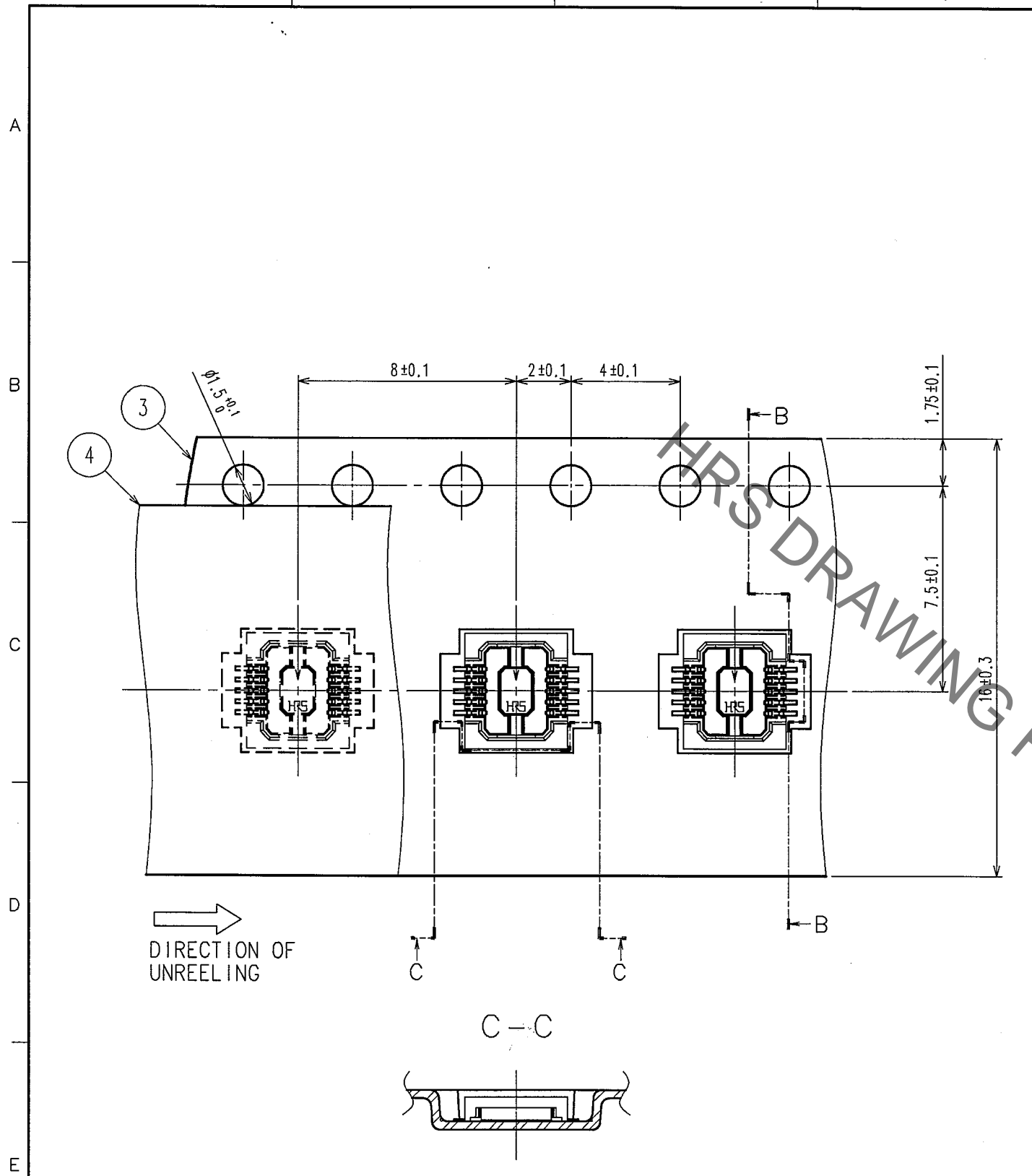


Oct.1.2019 Copyright 2019 HIROSE ELECTRIC CO., LTD. All Rights Reserved.
In case of consideration for using Automotive equipment / device which demand high reliability, kindly contact our sales window correspondents.

COUNT	DESCRIPTION OF REVISIONS	BY	CHKD	DATE	COUNT	DESCRIPTION OF REVISIONS	BY	CHKD	DATE
△					△				
△					△				
△					△				



DETAIL OF PART NO. LABEL

SUPPLIER	CL684-1311-9-81
QUANTITY	5000個
PART NO.	DF30FC-10DS-0.4V(81)
CODE NO.	CL684-1311-9-81
DATE OF MANUFACTURED	08.03.22

生産月日 年 月 日
 図番 CL684-1311-9-81
 品名 DF30FC-10DS-0.4V(81)
 納入数量 5000個
 納入者 ヒロセ電機(株)

TO

CODE NO. (OLD)	DRAWN T.Arai '08.03.22	DESIGNED J. Yamamoto 08.3.22	CHECKED T. Miyajaki 08.03.22	APPROVED K. Ikeda 08.03.22	RELEASED
SCALE 5 : 1	DRAWING NO. EDC3-317072-01		PART NO. DF30FC-10DS-0.4V(81)		
UNITS mm	HIROSE ELECTRIC CO., LTD		CODE NO. CL684-1311-9-81	2	

Mouser Electronics

Authorized Distributor

Click to View Pricing, Inventory, Delivery & Lifecycle Information:

[Hirose Electric:](#)

[DF30FC-10DS-0.4V\(81\)](#)