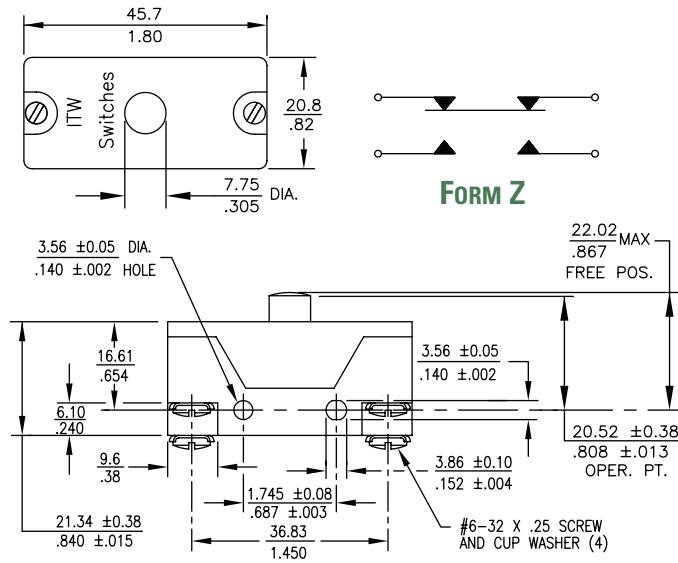


STANDARD BUTTON ACTUATOR



MECHANICAL / ELECTRICAL CHARACTERISTICS:

Circuit:

SPDT-DB (Form Z)

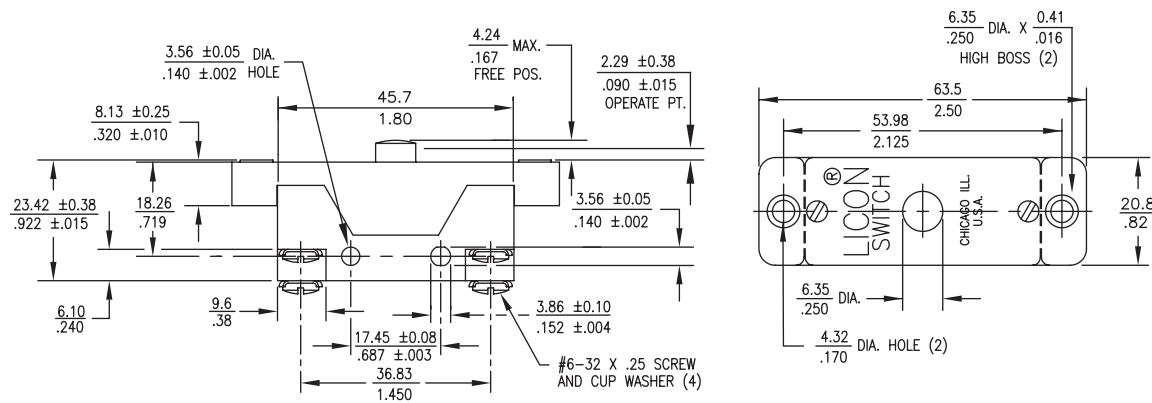
Terminal:

#6 screw with cup washer

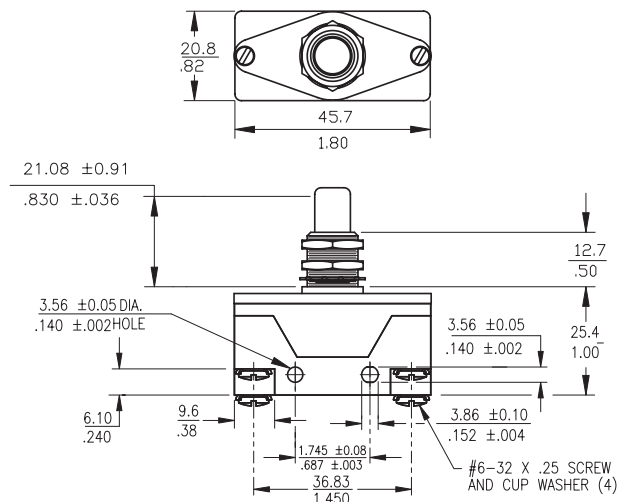
Electrical Ratings :

See chart on left

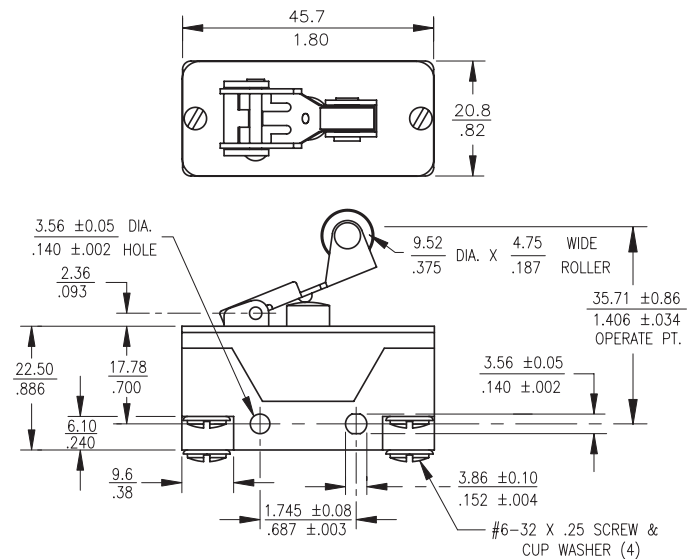
STANDARD BUTTON ACTUATOR—HEAVY DUTY MOUNTING



OVERTRAVEL PANEL MOUNT



ROLLER LEVER



Mouser Electronics

Authorized Distributor

Click to View Pricing, Inventory, Delivery & Lifecycle Information:

[ITW Switches:](#)

[14-124](#) [14-12404](#) [14-324](#) [14-724](#)