

THIS DRAWING IS UNPUBLISHED.

RELEASED FOR PUBLICATION

- . - .

REVISIONS

© COPYRIGHT - By - ALL RIGHTS RESERVED.

P	LTR	DESCRIPTION	DATE	DWN	APVD
-	-	SEE SHEET 1	-	-	-



KEY ID.	PRODUCT SPEC.	GOLD SPEC.	DIM. G	DIM. F	DIM. E	DIM. D	DIM. C	DIM. B	DIM. A	PART NO.
M	108-115042	50u" MIN.	1.125	1.375	-6.125	1.5	14.0	2.0	14.0	1-2199230-7
		30u" MIN.								1-2199230-6
		15u" MIN.								1-2199230-5
		10u" MIN.								1-2199230-4
	108-115049	GOLD FLASH								1-2199230-3
A	108-115042	10u" MIN.			6.625	14.5	1.0	14.5	1.5	1-2199230-2
E					2.625	10.5	5.0	10.5	5.5	1-2199230-1
B					5.625	13.5	2.0	13.5	2.5	1-2199230-0
A	108-115042	30u" MIN.	1.375	1.125	6.625	14.5	1.0	14.5	1.5	2199230-9
		15u" MIN.								2199230-8
	108-115049	GOLD FLASH								2199230-7
E	108-115042	30u" MIN.			2.625	10.5	5.0	10.5	5.5	2199230-6
B					5.625	13.5	2.0	13.5	2.5	2199230-5
E					2.625	10.5	5.0	10.5	5.5	2199230-4
B					5.625	13.5	2.0	13.5	2.5	2199230-3
E	108-115049	GOLD FLASH			2.625	10.5	5.0	10.5	5.5	2199230-2
B					5.625	13.5	2.0	13.5	2.5	2199230-1

THIS DRAWING IS A CONTROLLED DOCUMENT.

DWN SIMON WU 9OCT2012

CHK SIMON LI 9OCT2012

APVD COREL WANG 9OCT2012

PRODUCT SPEC

APPLICATION SPEC

WEIGHT

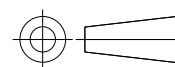
CUSTOMER DRAWING



NAME  
M.2(NGFF) MINI CARD MOUNTING TYPE  
0.50mm PITCH 67 POS. 4.2mm HEIGHT  
FOR DOUBLE SIDED MODULE

SIZE	CAGE CODE	DRAWING NO	RESTRICTED TO
A3	00779	C-2199230	-

DIMENSIONS: mm



TOLERANCES UNLESS OTHERWISE SPECIFIED:

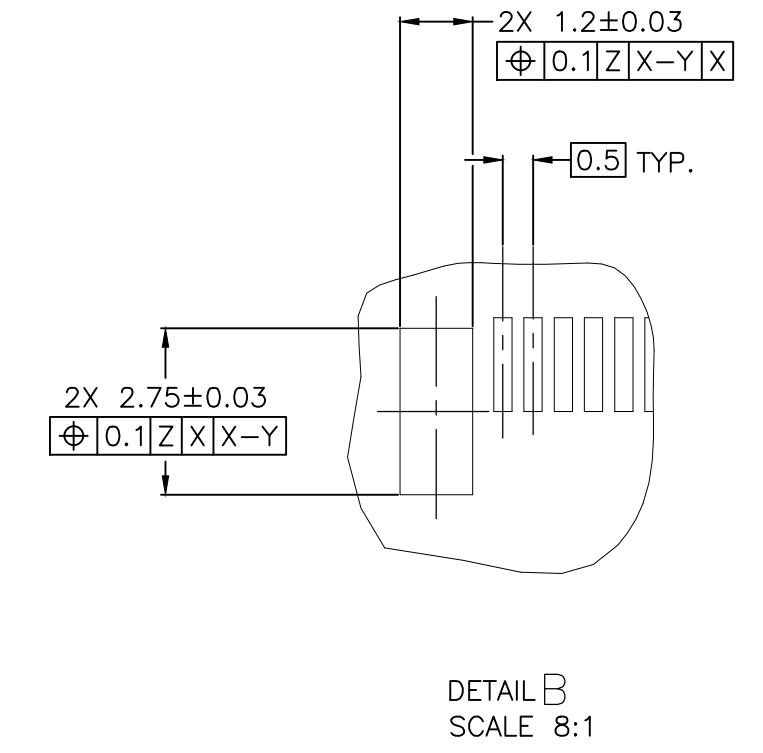
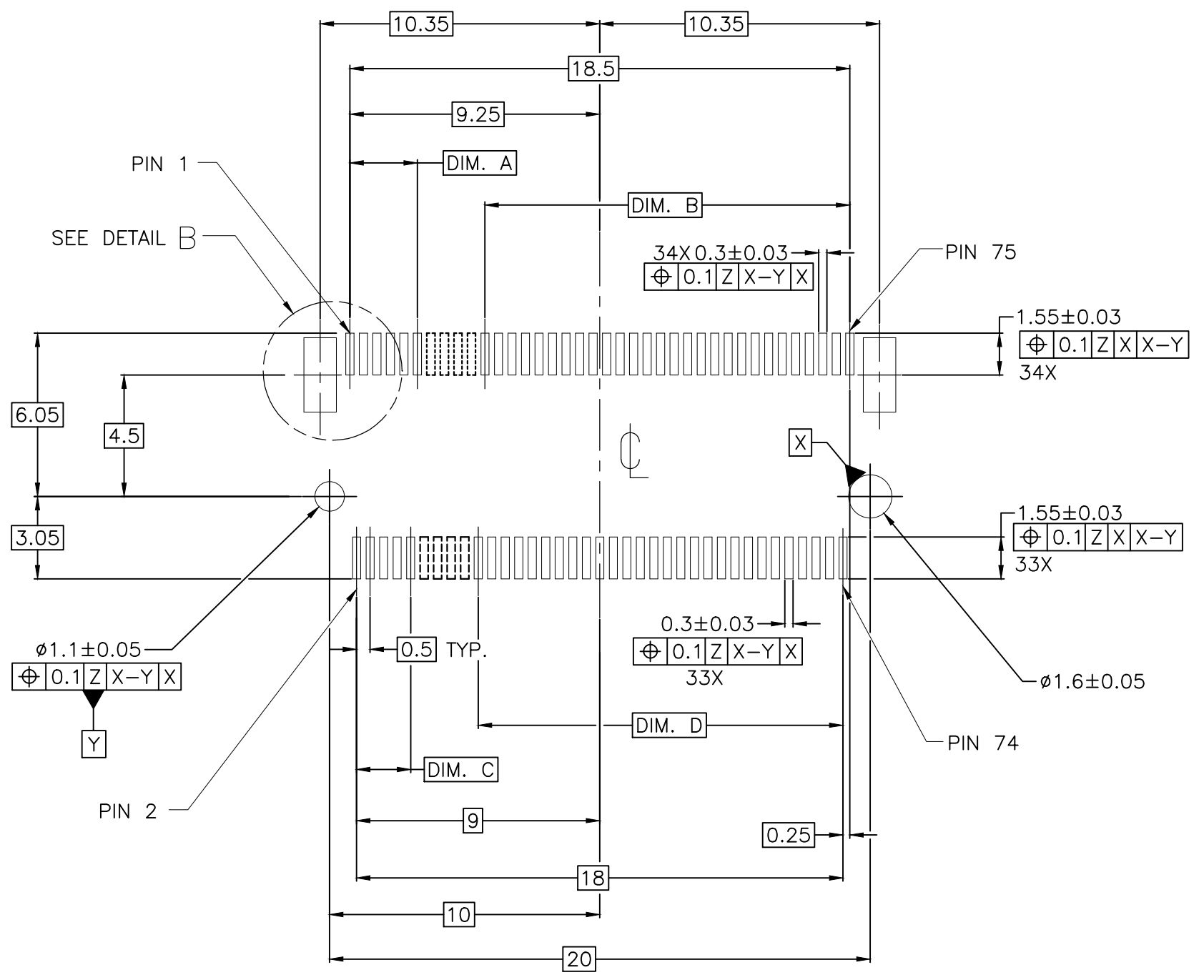
0 PLC	± 0.30
1 PLC	± 0.30
2 PLC	± 0.20
3 PLC	± 0.10
4 PLC	± -
ANGLES	± 3°

MATERIAL	FINISH
-	-

SCALE 4:1 SHEET 2 of 4 REV B3

THIS DRAWING IS UNPUBLISHED. RELEASED FOR PUBLICATION  
 © COPYRIGHT - By - ALL RIGHTS RESERVED.

REVISIONS				
P	LTR	DESCRIPTION	DATE	APVD
-	-	SEE SHEET 1	-	-



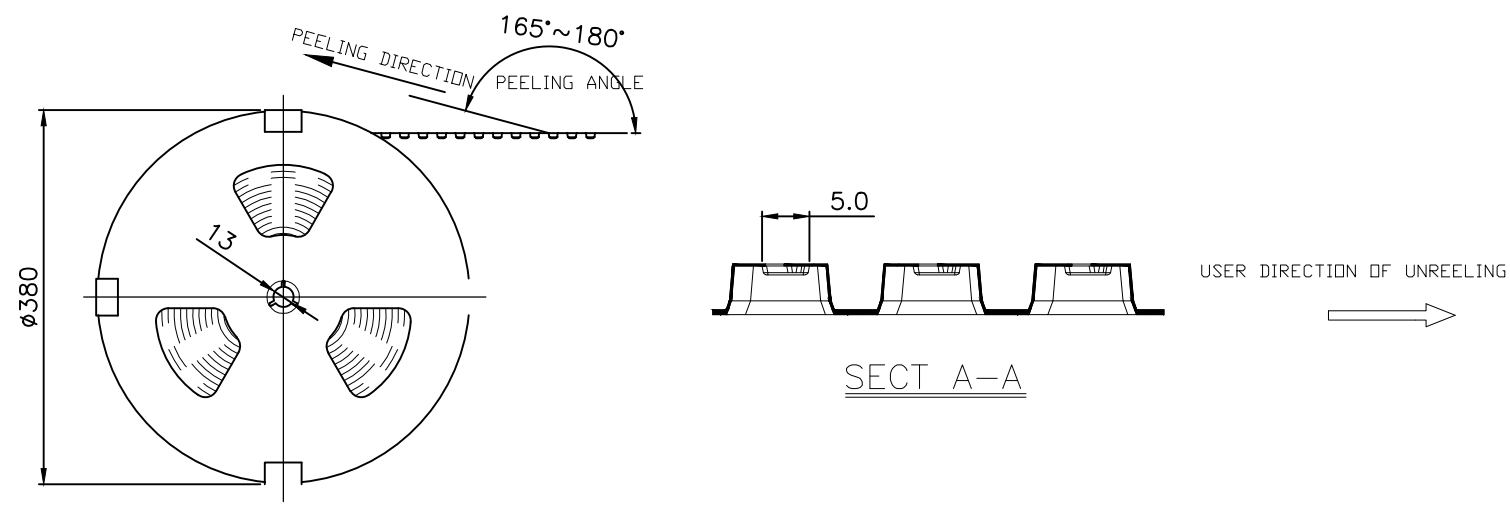
RECOMMENDED NGFF MINI CARD MOUNTING TYPE\_SMT\_PCB OUTLINE  
 DATUM Z: PCB SOLDER SURFACE

M	1.5	14.0	2.0	14.0
E	10.5	5.0	10.5	5.5
B	13.5	2.0	13.5	2.5
A	14.5	1.0	14.5	1.5
KEY ID.	DIM. D	DIM. C	DIM. B	DIM. A

THIS DRAWING IS A CONTROLLED DOCUMENT.		DWN SIMON_WU 90CT2012	TE Connectivity Ltd.	
DIMENSIONS: mm 		CHK SIMON_LI 90CT2012		
TOLERANCES UNLESS OTHERWISE SPECIFIED: 0 PLC ± 0.30 1 PLC ± 0.30 2 PLC ± 0.20 3 PLC ± 0.10 4 PLC ± - ANGLES ± 3°		APVD COREL_WANG 90CT2012	NAME M.2(NGFF) MINI CARD MOUNTING TYPE 0.50mm PITCH 67 POS. 4.2mm HEIGHT FOR DOUBLE SIDED MODULE	
MATERIAL -		FINISH -	PRODUCT SPEC	RESTRICTED TO -
-		WEIGHT	APPLICATION SPEC	SIZE A3
-		CUSTOMER DRAWING	SCALE 5:1	CAGE CODE 00779
-			DRAWING NO. C-2199230	SHEET 3 OF 4
-				REV B3

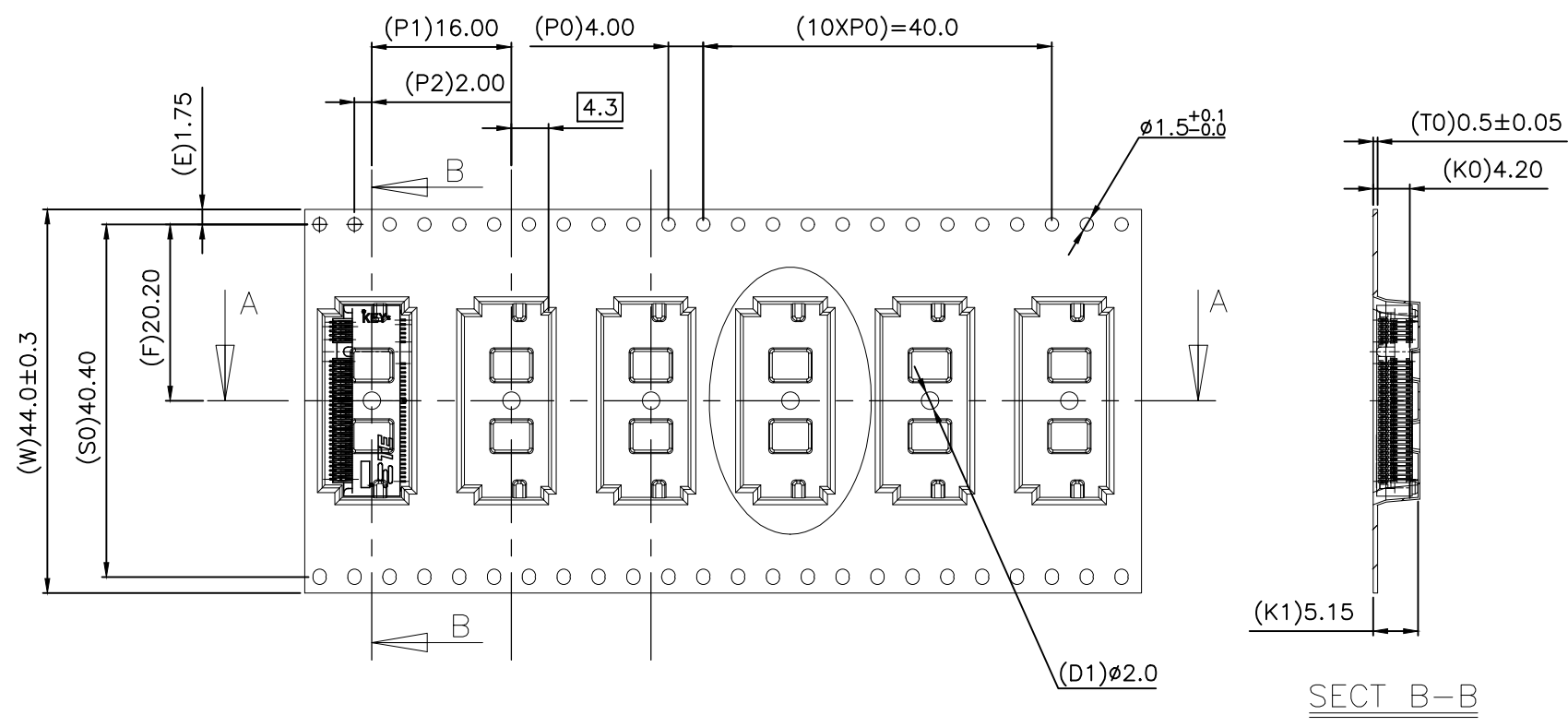
THIS DRAWING IS UNPUBLISHED. RELEASED FOR PUBLICATION  
 © COPYRIGHT - By - ALL RIGHTS RESERVED.


REVISIONS					
P	LTR	DESCRIPTION	DATE	DWN	APVD
-	-	SEE SHEET 1	-	-	-



NOTES: (APPLIED TO CURRENT SHEET)

1. THE DIRECTION OF EACH CONNECTOR ON A EMBOSS IS REFERRED TO THIS DRAWING.
2. GENERAL TOLERANCE:  $\pm 0.5$ ,  $\pm 3^\circ$
3. PACKAGED IN EMBOSS TAPE AND PLASTIC RELL 1000PCS PER REEL.



THIS DRAWING IS A CONTROLLED DOCUMENT.		DWN SIMON WU 90CT2012	 TE Connectivity Ltd.			
DIMENSIONS: mm		CHK SIMON LI 90CT2012				
TOLERANCES UNLESS OTHERWISE SPECIFIED:		APVD COREL WANG 90CT2012				
0 PLC $\pm 0.30$ 1 PLC $\pm 0.30$ 2 PLC $\pm 0.20$ 3 PLC $\pm 0.10$ 4 PLC $\pm -$ ANGLES $\pm 3^\circ$		NAME				
MATERIAL		FINISH	M.2(NGFF) MINI CARD MOUNTING TYPE 0.50mm PITCH 67 POS. 4.2mm HEIGHT FOR DOUBLE SIDED MODULE			
-		-	SIZE	CAGE CODE	DRAWING NO	RESTRICTED TO
-		-	A3	00779	C-2199230	-
CUSTOMER DRAWING			SCALE	SHEET	REV	
-			N/A	4 OF 4	B3	

# Mouser Electronics

Authorized Distributor

Click to View Pricing, Inventory, Delivery & Lifecycle Information:

[TE Connectivity:](#)

[1-2199230-6](#)