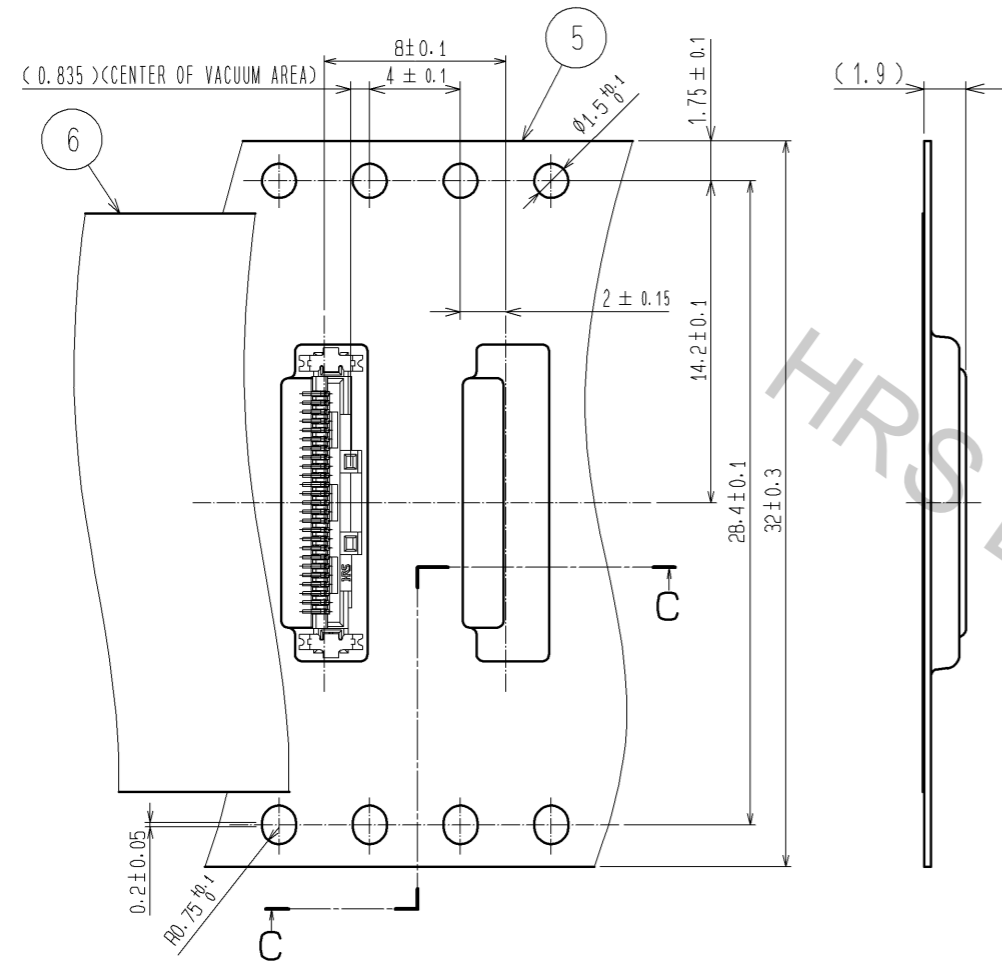


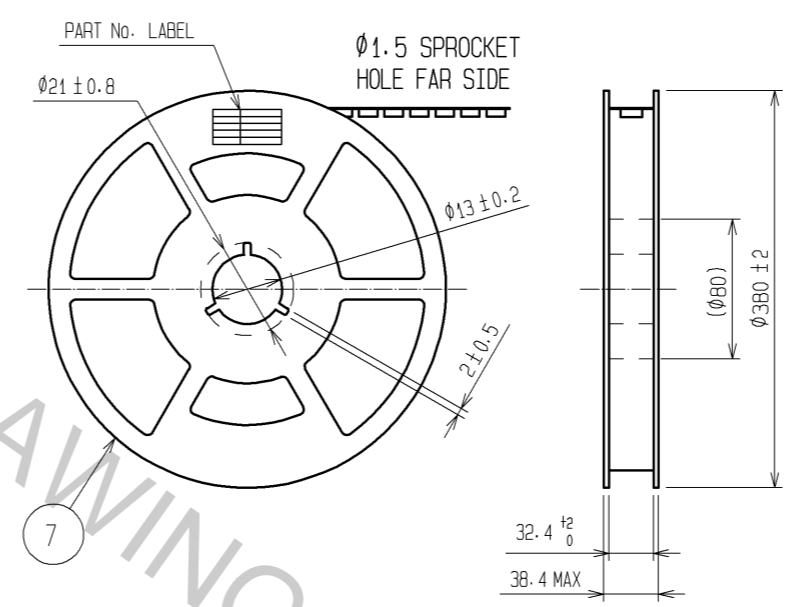
Feb.1.2018 Copyright 2018 HIROSE ELECTRIC CO., LTD. All Rights Reserved.

1 2 3 4 5 6 7 8

A  
B  
C  
D  
E  
F



STYLE AND DIMENSION OF REEL (FREE)

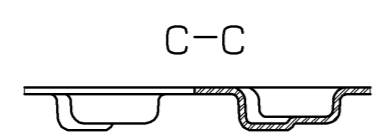


DETAIL OF PART No. LABEL

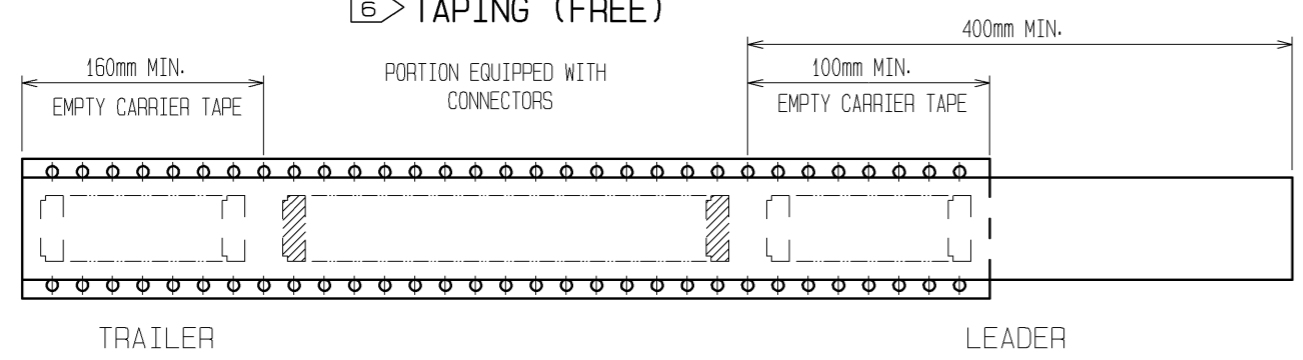
生産月日	年 月 日
製品コード	CL662-4005-1-51
製品名	DF36-25S-0.4V(51)
納入数量	5,000pcs
納入者	ヒロセ電機(株)

SUPPLIER  
QUANTITY  
PART No.  
CODE No.  
DATE OF MANUFACTURED

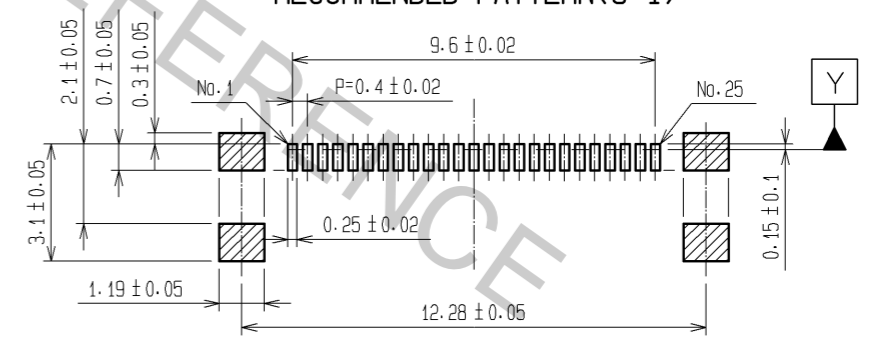
DIRECTION OF UNREELING →



TAPING (FREE)



RECOMMENDED PATTERN(5:1)



RECOMMENDED METAL MASK  
THICKNESS: 0.1mm  
OPENING RATIO: LEAD AREA 90%  
GROUND AREA 90%

- NOTES 5. PER REEL: 5000 COMPONENTS.  
6. REFER TO JIS C 0806. (PACKAGING OF COMPONENTS FOR AUTOMATIC HANDLING)  
7. THE DIMENSIONS IN PARENTHESES ARE FOR REFERENCE.

<b>HRS</b>	DRAWING NO.	EDC3-312852-01
	PART NO.	DF36-25S-0.4V(51)
	CODE NO.	CL662-4005-1-51
		3/2

# Mouser Electronics

Authorized Distributor

Click to View Pricing, Inventory, Delivery & Lifecycle Information:

[Hirose Electric:](#)

[DF36-25S-0.4V\(51\)](#)