

## Contents

<b>Product Portfolio</b> .....	<b>3</b>	<b>Ordering Information</b> .....	<b>12</b>
<b>Pin Configuration</b> .....	<b>3</b>	Ordering Code Definitions .....	12
<b>Maximum Ratings</b> .....	<b>4</b>	<b>Package Diagrams</b> .....	<b>13</b>
<b>Operating Range</b> .....	<b>4</b>	<b>Acronyms</b> .....	<b>15</b>
<b>Electrical Characteristics</b> .....	<b>4</b>	<b>Document Conventions</b> .....	<b>15</b>
<b>Capacitance</b> .....	<b>5</b>	Units of Measure .....	15
<b>Thermal Resistance</b> .....	<b>5</b>	<b>Document History Page</b> .....	<b>16</b>
<b>AC Test Loads and Waveforms</b> .....	<b>5</b>	<b>Sales, Solutions, and Legal Information</b> .....	<b>18</b>
<b>Data Retention Characteristics</b> .....	<b>6</b>	Worldwide Sales and Design Support .....	18
<b>Data Retention Waveform</b> .....	<b>6</b>	Products .....	18
<b>Switching Characteristics</b> .....	<b>7</b>	PSoC® Solutions .....	18
<b>Switching Waveforms</b> .....	<b>8</b>	Cypress Developer Community .....	18
<b>Truth Table</b> .....	<b>11</b>	Technical Support .....	18

### Product Portfolio

Product	Range	V <sub>CC</sub> Range (V)			Speed (ns)	Power Dissipation					
						Operating I <sub>CC</sub> (mA)				Standby I <sub>SB2</sub> (μA)	
		Min	Typ <sup>[1]</sup>	Max		f = 1 MHz		f = f <sub>max</sub>		Typ <sup>[1]</sup>	Max
						Typ <sup>[1]</sup>	Max	Typ <sup>[1]</sup>	Max		
CY62136FV30LL	Industrial/Auto-A	2.2	3.0	3.6	45	1.6	2.5	13	18	1	5
	Auto-E	2.2	3.0	3.6	55	2	3	15	25	1	20

### Pin Configuration

Figure 1. 48-ball VFBGA pinout [2, 3]

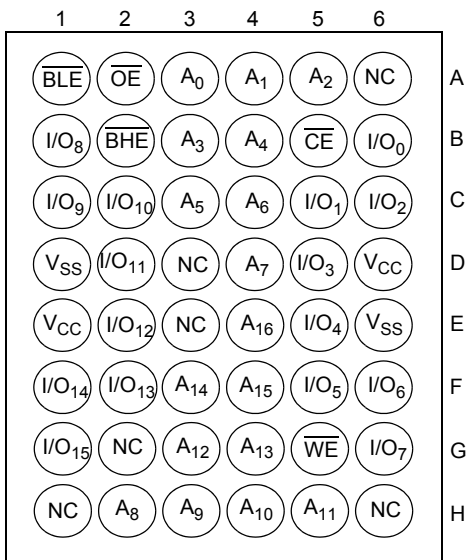
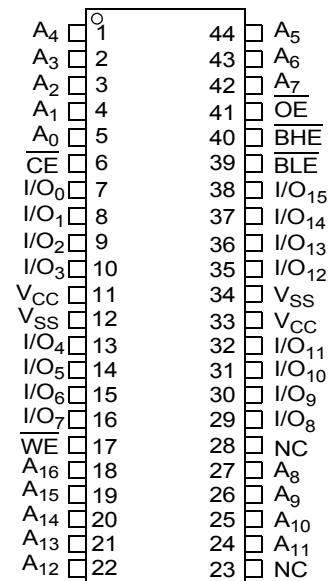


Figure 2. 44-pin TSOP II pinout [2]



**Notes**

1. Typical values are included for reference only and are not guaranteed or tested. Typical values are measured at V<sub>CC</sub> = V<sub>CC(typ)</sub>, T<sub>A</sub> = 25 °C.
2. NC pins are not connected on the die.
3. Pins D3, H1, G2, H6 and H3 in the VFBGA package are address expansion pins for 4 Mb, 8 Mb, 16 Mb, and 32 Mb and 64 Mb respectively.

## Maximum Ratings

Exceeding the maximum ratings may impair the useful life of the device. These user guidelines are not tested.

Storage temperature ..... -65 °C to +150 °C

Ambient temperature with power applied ..... -55 °C to +125 °C

Supply voltage to ground potential [4, 5] ... -0.3 V to 3.9 V ( $V_{CC(max)}$  + 0.3 V)

DC voltage applied to outputs in High Z State [4, 5] ..... -0.3 V to 3.9 V ( $V_{CC(max)}$  + 0.3 V)

DC input voltage [4, 5] ..... -0.3 V to 3.9 V ( $V_{CC(max)}$  + 0.3 V)

Output current into outputs (LOW) ..... 20 mA

Static discharge voltage (MIL-STD-883, Method 3015) ..... > 2001 V

Latch up current ..... > 200 mA

## Operating Range

Device	Range	Ambient Temperature	$V_{CC}^{[6]}$
CY62136FV30LL	Industrial/Auto-A	-40 °C to +85 °C	2.2 V to 3.6 V
	Auto-E	-40 °C to +125 °C	

## Electrical Characteristics

Over the Operating Range

Parameter	Description	Test Conditions	-45 (Industrial/Auto-A)			-55 (Auto-E)			Unit	
			Min	Typ [7]	Max	Min	Typ [7]	Max		
$V_{OH}$	Output high voltage	$2.2 \leq V_{CC} \leq 2.7$	$I_{OH} = -0.1$ mA	2.0	–	–	2.0	–	–	V
		$2.7 \leq V_{CC} \leq 3.6$	$I_{OH} = -1.0$ mA	2.4	–	–	2.4	–	–	V
$V_{OL}$	Output low voltage	$2.2 \leq V_{CC} \leq 2.7$	$I_{OL} = 0.1$ mA	–	–	0.4	–	–	0.4	V
		$2.7 \leq V_{CC} \leq 3.6$	$I_{OL} = 2.1$ mA	–	–	0.4	–	–	0.4	V
$V_{IH}$	Input high voltage	$2.2 \leq V_{CC} \leq 2.7$		1.8	–	$V_{CC} + 0.3$	1.8	–	$V_{CC} + 0.3$	V
		$2.7 \leq V_{CC} \leq 3.6$		2.2	–	$V_{CC} + 0.3$	2.2	–	$V_{CC} + 0.3$	V
$V_{IL}$	Input low voltage	$2.2 \leq V_{CC} \leq 2.7$		-0.3	–	0.6	-0.3	–	0.6	V
		$2.7 \leq V_{CC} \leq 3.6$		-0.3	–	0.8	-0.3	–	0.8	V
$I_{IX}$	Input leakage current	$GND \leq V_I \leq V_{CC}$		-1	–	+1	-4	–	+4	$\mu$ A
$I_{OZ}$	Output leakage current	$GND \leq V_O \leq V_{CC}$ , Output disabled		-1	–	+1	-4	–	+4	$\mu$ A
$I_{CC}$	$V_{CC}$ operating supply current	$f = f_{max} = 1/t_{RC}$	$V_{CC} = V_{CCmax}$	–	13	18	–	15	25	mA
		$f = 1$ MHz	$I_{OUT} = 0$ mA CMOS levels	–	1.6	2.5	–	2	3	
$I_{SB1}^{[8]}$	Automatic CE power down current — CMOS inputs	$CE \geq V_{CC} - 0.2$ V, $V_{IN} \geq V_{CC} - 0.2$ V, $V_{IN} \leq 0.2$ V, $f = f_{max}$ (Address and data only), $f = 0$ ( $\overline{OE}$ , $\overline{WE}$ , $\overline{BHE}$ , and $\overline{BLE}$ ), $V_{CC} = 3.60$ V		–	1	5	–	1	20	$\mu$ A
$I_{SB2}^{[8]}$	Automatic CE power down current — CMOS inputs	$CE \geq V_{CC} - 0.2$ V, $V_{IN} \geq V_{CC} - 0.2$ V or $V_{IN} \leq 0.2$ V, $f = 0$ , $V_{CC} = 3.60$ V		–	1	5	–	1	20	$\mu$ A

### Notes

- $V_{IL(min)}$  = -2.0 V for pulse durations less than 20 ns.
- $V_{IH(max)}$  =  $V_{CC} + 0.75$  V for pulse durations less than 20 ns.
- Full device AC operation assumes a minimum of 100  $\mu$ s ramp time from 0 to  $V_{CC(min)}$  and 200  $\mu$ s wait time after  $V_{CC}$  stabilization.
- Typical values are included for reference only and are not guaranteed or tested. Typical values are measured at  $V_{CC} = V_{CC(typ)}$ ,  $T_A = 25$  °C.
- Chip enable (CE) and byte enables ( $\overline{BHE}$  and  $\overline{BLE}$ ) need to be tied to CMOS levels to meet the  $I_{SB1}$  /  $I_{SB2}$  /  $I_{CCDR}$  specification. Other inputs can be left floating.

### Capacitance

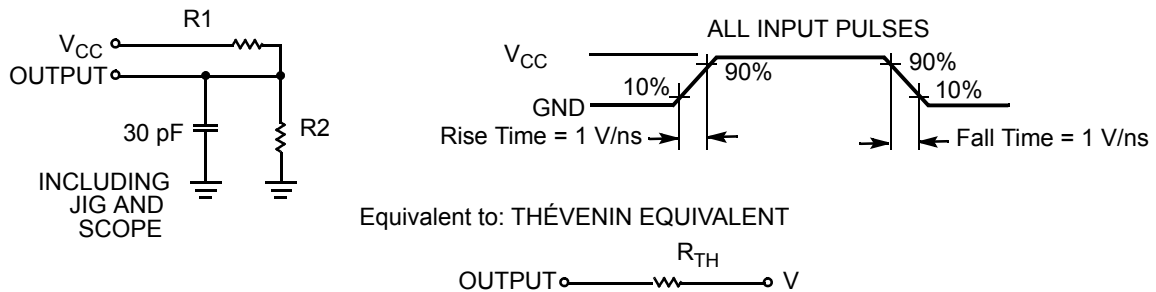
Parameter <sup>[9]</sup>	Description	Test Conditions	Max	Unit
C <sub>IN</sub>	Input capacitance	T <sub>A</sub> = 25 °C, f = 1 MHz, V <sub>CC</sub> = V <sub>CC(typ)</sub>	10	pF
C <sub>OUT</sub>	Output capacitance		10	pF

### Thermal Resistance

Parameter <sup>[9]</sup>	Description	Test Conditions	48-ball VFBGA	44-pin TSOP II	Unit
Θ <sub>JA</sub>	Thermal resistance (junction to ambient)	Still air, soldered on a 3 × 4.5 inch, two layer printed circuit board	75	77	°C/W
Θ <sub>JC</sub>	Thermal resistance (junction to case)		10	13	°C/W

### AC Test Loads and Waveforms

Figure 3. AC Test Loads and Waveforms



Parameters	2.5 V (2.2 V to 2.7 V)	3.0 V (2.7 V to 3.6 V)	Unit
R1	16667	1103	Ω
R2	15385	1554	Ω
R <sub>TH</sub>	8000	645	Ω
V <sub>TH</sub>	1.20	1.75	V

**Note**

9. Tested initially and after any design or process changes that may affect these parameters.

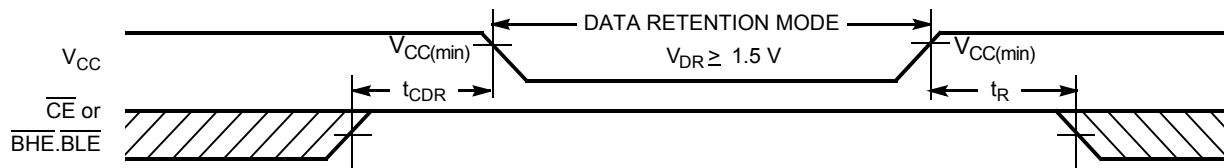
## Data Retention Characteristics

Over the Operating Range

Parameter	Description	Conditions	Min	Typ <sup>[10]</sup>	Max	Unit
$V_{DR}$	$V_{CC}$ for data retention		1.5	–	–	V
$I_{CCDR}$ <sup>[11]</sup>	Data retention current	$V_{CC} = 1.5\text{ V}$ , $\overline{CE} \geq V_{CC} - 0.2\text{ V}$ , $V_{IN} \geq V_{CC} - 0.2\text{ V}$ or $V_{IN} \leq 0.2\text{ V}$	–	–	4	$\mu\text{A}$
		Industrial/ Automotive-A	–	–	–	
		Automotive-E	–	–	12	
$t_{CDR}$ <sup>[12]</sup>	Chip deselect to data retention time		0	–	–	ns
$t_R$ <sup>[13]</sup>	Operation recovery time					
		CY62136FV30LL-45	45	–	–	ns
		CY62136FV30LL-55	55	–	–	

## Data Retention Waveform

Figure 4. Data Retention Waveform<sup>[14]</sup>



### Notes

10. Typical values are included for reference only and are not guaranteed or tested. Typical values are measured at  $V_{CC} = V_{CC(typ)}$ ,  $T_A = 25\text{ }^\circ\text{C}$ .
11. Chip enable ( $\overline{CE}$ ) and byte enables ( $\overline{BHE}$  and  $\overline{BLE}$ ) need to be tied to CMOS levels to meet the  $I_{SB1}$ / $I_{SB2}$ / $I_{CCDR}$  specification. Other inputs can be left floating.
12. Tested initially and after any design or process changes that may affect these parameters.
13. Full device operation requires linear  $V_{CC}$  ramp from  $V_{DR}$  to  $V_{CC(min)} \geq 100\text{ }\mu\text{s}$  or stable at  $V_{CC(min)} \geq 100\text{ }\mu\text{s}$ .
14.  $\overline{BHE.BLE}$  is the AND of both  $\overline{BHE}$  and  $\overline{BLE}$ . Deselect the chip by either disabling chip enable signals or by disabling both  $\overline{BHE}$  and  $\overline{BLE}$ .

## Switching Characteristics

Over the Operating Range

Parameter <sup>[15, 16]</sup>	Description	-45 (Industrial/Automotive-A)		-55 (Automotive-E)		Unit
		Min	Max	Min	Max	
<b>Read Cycle</b>						
t <sub>RC</sub>	Read cycle time	45	–	55	–	ns
t <sub>AA</sub>	Address to data valid	–	45	–	55	ns
t <sub>OHA</sub>	Data hold from address change	10	–	10	–	ns
t <sub>ACE</sub>	$\overline{CE}$ LOW to data valid	–	45	–	55	ns
t <sub>DOE</sub>	$\overline{OE}$ LOW to data valid	–	22	–	25	ns
t <sub>LZOE</sub>	$\overline{OE}$ LOW to low Z <sup>[17]</sup>	5	–	5	–	ns
t <sub>HZOE</sub>	$\overline{OE}$ HIGH to high Z <sup>[17, 18]</sup>	–	18	–	20	ns
t <sub>LZCE</sub>	$\overline{CE}$ LOW to low Z <sup>[17]</sup>	10	–	10	–	ns
t <sub>HZCE</sub>	$\overline{CE}$ HIGH to high Z <sup>[17, 18]</sup>	–	18	–	20	ns
t <sub>PU</sub>	$\overline{CE}$ LOW to power up	0	–	0	–	ns
t <sub>PD</sub>	$\overline{CE}$ HIGH to power down	–	45	–	55	ns
t <sub>DBE</sub>	$\overline{BLE}/\overline{BHE}$ LOW to data valid	–	22	–	25	ns
t <sub>LZBE</sub>	$\overline{BLE}/\overline{BHE}$ LOW to low Z <sup>[17]</sup>	5	–	5	–	ns
t <sub>HZBE</sub>	$\overline{BLE}/\overline{BHE}$ HIGH to high Z <sup>[17, 18]</sup>	–	18	–	20	ns
<b>Write Cycle <sup>[19, 20]</sup></b>						
t <sub>WC</sub>	Write cycle time	45	–	55	–	ns
t <sub>SCE</sub>	$\overline{CE}$ LOW to write end	35	–	40	–	ns
t <sub>AW</sub>	Address setup to write end	35	–	40	–	ns
t <sub>HA</sub>	Address hold from write end	0	–	0	–	ns
t <sub>SA</sub>	Address setup to write start	0	–	0	–	ns
t <sub>PWE</sub>	$\overline{WE}$ pulse width	35	–	40	–	ns
t <sub>BW</sub>	$\overline{BLE}/\overline{BHE}$ LOW to write end	35	–	40	–	ns
t <sub>SD</sub>	Data setup to write end	25	–	25	–	ns
t <sub>HD</sub>	Data Hold From Write End	0	–	0	–	ns
t <sub>HZWE</sub>	$\overline{WE}$ LOW to high Z <sup>[17, 18]</sup>	–	18	–	20	ns
t <sub>LZWE</sub>	$\overline{WE}$ HIGH to low Z <sup>[17]</sup>	10	–	10	–	ns

### Notes

- Test conditions for all parameters other than tristate parameters assume signal transition time of 3 ns (1V/ns) or less, timing reference levels of  $V_{CC(typ)}/2$ , input pulse levels of 0 to  $V_{CC(typ)}$ , and output loading of the specified  $I_{OL}/I_{OH}$  as shown in the [Figure 3 on page 5](#).
- In an earlier revision of this device, under a specific application condition, READ and WRITE operations were limited to switching of the byte enable and/or chip enable signals as described in the Application Notes [AN13842](#) and [AN66311](#). However, the issue has been fixed and in production now, and hence, these Application Notes are no longer applicable. They are available for download on our website as they contain information on the date code of the parts, beyond which the fix has been in production.
- At any given temperature and voltage condition, t<sub>HZCE</sub> is less than t<sub>LZCE</sub>, t<sub>HZBE</sub> is less than t<sub>LZBE</sub>, t<sub>HZOE</sub> is less than t<sub>LZOE</sub>, and t<sub>HZWE</sub> is less than t<sub>LZWE</sub> for any given device.
- t<sub>HZOE</sub>, t<sub>HZCE</sub>, t<sub>HZBE</sub>, and t<sub>HZWE</sub> transitions are measured when the outputs enter a high impedance state.
- The internal write time of the memory is defined by the overlap of  $\overline{WE}$ ,  $\overline{CE} = V_{IL}$ ,  $\overline{BHE}$  and/or  $\overline{BLE} = V_{IL}$ . All signals are ACTIVE to initiate a write and any of these signals can terminate a write by going INACTIVE. The data input setup and hold timing are referenced to the edge of the signal that terminates the write.
- The minimum write cycle pulse width for Write Cycle No. 3 and Write Cycle No. 4 should be equal to the sum of t<sub>HZWE</sub> and t<sub>SD</sub>.

### Switching Waveforms

Figure 5. Read Cycle No.1: Address Transition Controlled [21, 22]

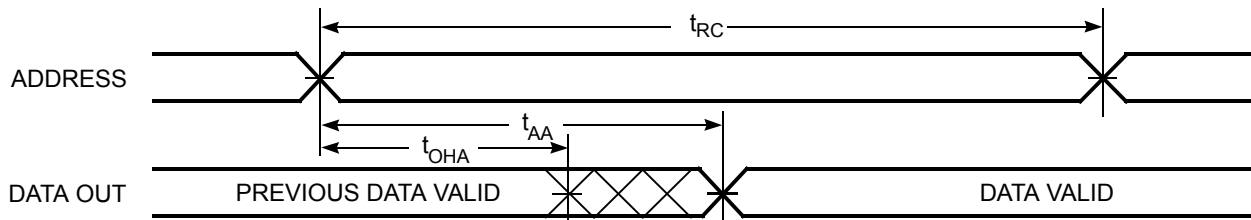
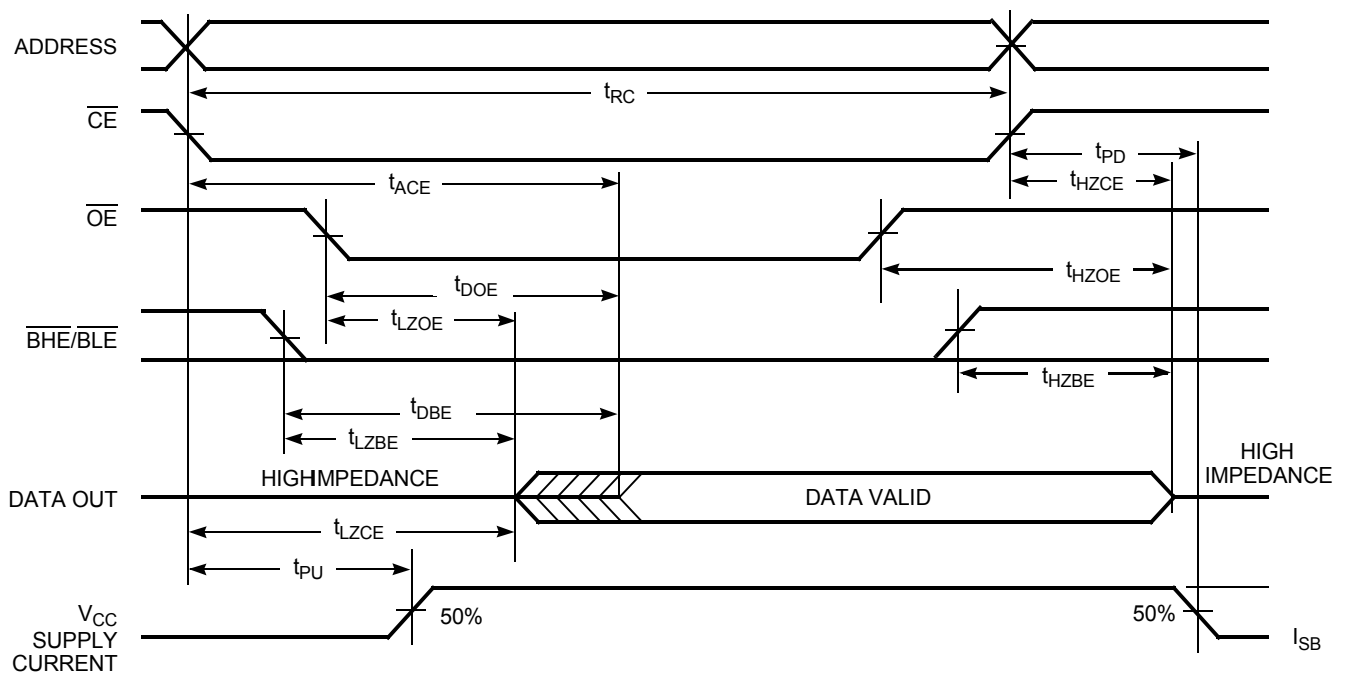


Figure 6. Read Cycle No. 2:  $\overline{OE}$  Controlled [22, 23]



**Notes**

- 21. The device is continuously selected.  $\overline{OE}$ ,  $\overline{CE}$  =  $V_{IL}$ ,  $\overline{BHE}$  and  $\overline{BLE}$  =  $V_{IL}$ .
- 22.  $\overline{WE}$  is HIGH for read cycle.
- 23. Address valid before or similar to  $\overline{CE}$  and  $\overline{BHE}$ ,  $\overline{BLE}$  transition LOW.

Switching Waveforms (continued)

Figure 7. Write Cycle No 1:  $\overline{WE}$  Controlled [24, 25, 26]

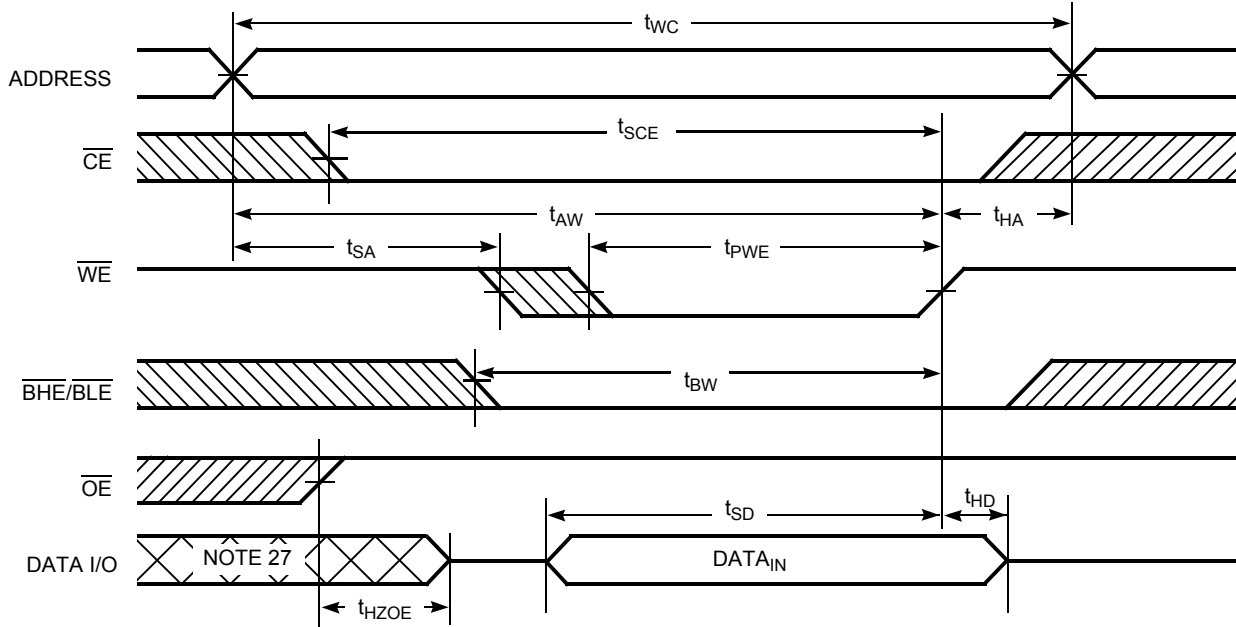
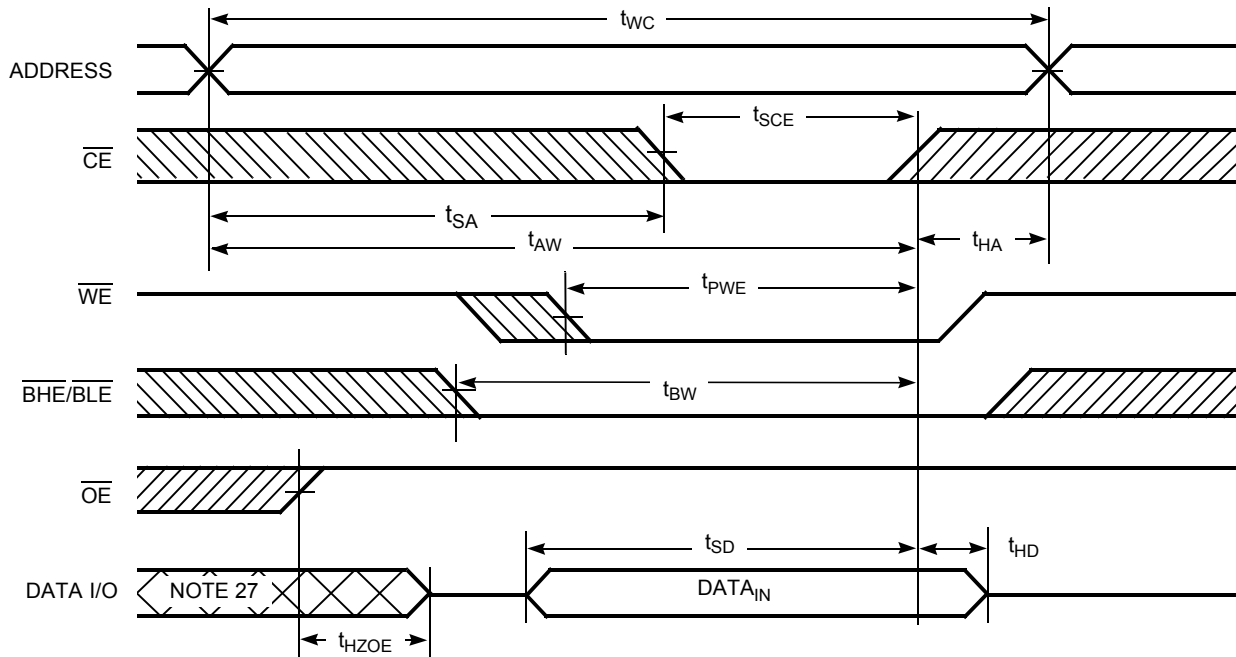


Figure 8. Write Cycle 2:  $\overline{CE}$  Controlled [24, 25, 26]



Notes

- 24. The internal write time of the memory is defined by the overlap of  $\overline{WE}$ ,  $\overline{CE} = V_{IL}$ ,  $\overline{BHE}$  and/or  $\overline{BLE} = V_{IL}$ . All signals are ACTIVE to initiate a write and any of these signals terminate a write by going INACTIVE. The data input setup and hold timing are referenced to the edge of the signal that terminates the write.
- 25. Data I/O is high impedance if  $\overline{OE} = V_{IH}$ .
- 26. If  $\overline{CE}$  goes HIGH simultaneously with  $\overline{WE} = V_{IH}$ , the output remains in a high impedance state.
- 27. During this period, the I/Os are in output state. Do not apply input signals.



Switching Waveforms (continued)

Figure 9. Write Cycle 3:  $\overline{WE}$  controlled,  $\overline{OE}$  LOW [28, 29]

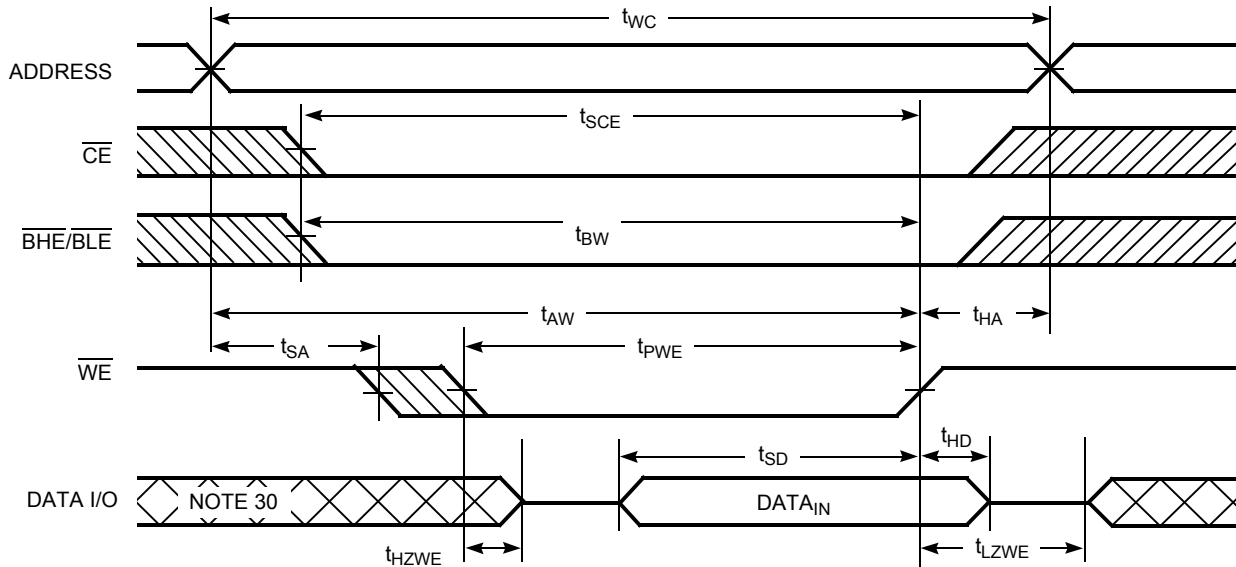
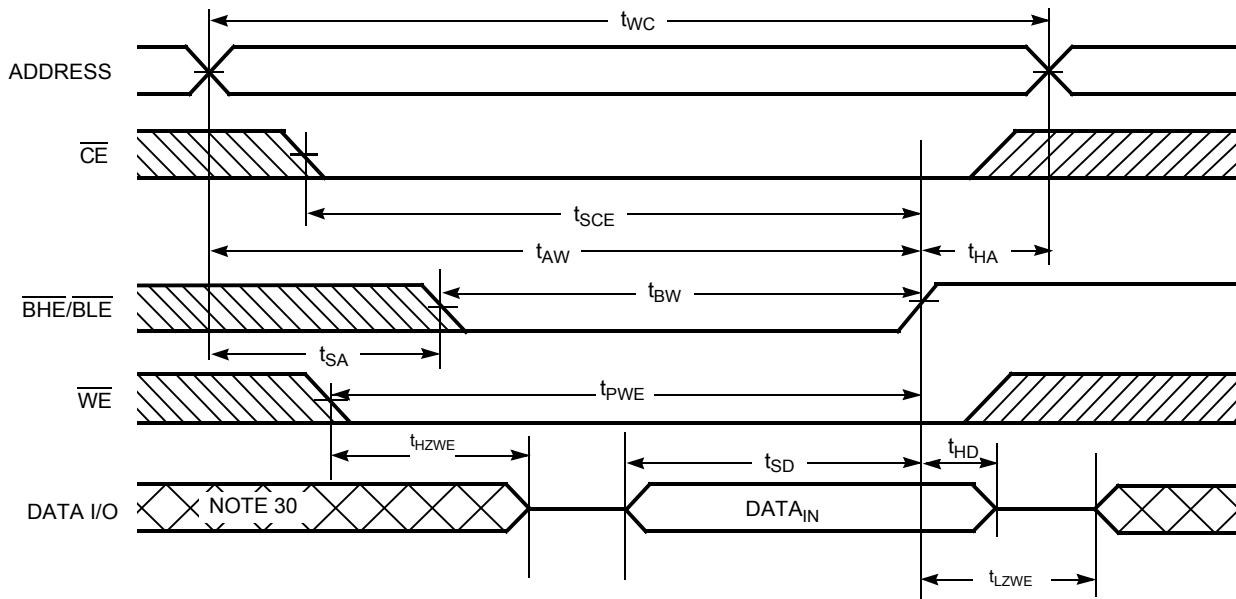


Figure 10. Write Cycle 4:  $\overline{BHE}/\overline{BLE}$  Controlled,  $\overline{OE}$  LOW [28, 29]



Notes

- 28. If  $\overline{CE}$  goes HIGH simultaneously with  $\overline{WE} = V_{IH}$ , the output remains in a high impedance state.
- 29. The minimum write cycle pulse width should be equal to the sum of  $t_{HZWE}$  and  $t_{SD}$ .
- 30. During this period, the I/Os are in output state. Do not apply input signals.

**Truth Table**

$\overline{CE}$	$\overline{WE}$	$\overline{OE}$	$\overline{BHE}$	$\overline{BLE}$	Inputs or Outputs	Mode	Power
H	X	X	X <sup>[31]</sup>	X <sup>[31]</sup>	High Z	Deselect or power-down	Standby ( $I_{SB}$ )
L	X	X	H	H	High Z	Output disabled	Active ( $I_{CC}$ )
L	H	L	L	L	Data out ( $I/O_0$ – $I/O_{15}$ )	Read	Active ( $I_{CC}$ )
L	H	L	H	L	Data out ( $I/O_0$ – $I/O_7$ ); $I/O_8$ – $I/O_{15}$ in High Z	Read	Active ( $I_{CC}$ )
L	H	L	L	H	Data out ( $I/O_8$ – $I/O_{15}$ ); $I/O_0$ – $I/O_7$ in High Z	Read	Active ( $I_{CC}$ )
L	H	H	X	X	High Z	Output disabled	Active ( $I_{CC}$ )
L	L	X	L	L	Data in ( $I/O_0$ – $I/O_{15}$ )	Write	Active ( $I_{CC}$ )
L	L	X	H	L	Data in ( $I/O_0$ – $I/O_7$ ); $I/O_8$ – $I/O_{15}$ in High Z	Write	Active ( $I_{CC}$ )
L	L	X	L	H	Data in ( $I/O_8$ – $I/O_{15}$ ); $I/O_0$ – $I/O_7$ in High Z	Write	Active ( $I_{CC}$ )

**Note**

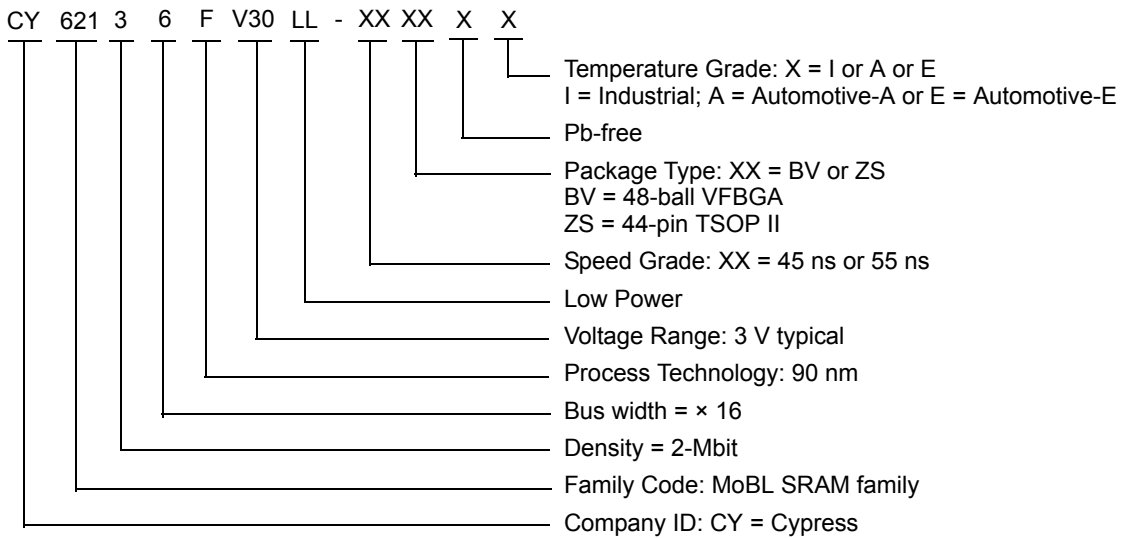
31. The 'X' (Don't care) state for the Chip enable ( $\overline{CE}$ ) and Byte enables ( $\overline{BHE}$  and  $\overline{BLE}$ ) in the truth table refer to the logic state (either HIGH or LOW). Intermediate voltage levels on these pins is not permitted.

### Ordering Information

Speed (ns)	Ordering Code	Package Diagram	Package Type	Operating Range
45	CY62136FV30LL-45BVXI	51-85150	48-ball VFBGA (Pb-free)	Industrial
	CY62136FV30LL-45ZSXI	51-85087	44-pin TSOP II (Pb-free)	
	CY62136FV30LL-45ZSXA	51-85087	44-pin TSOP II (Pb-free)	Automotive-A
55	CY62136FV30LL-55ZSXE	51-85087	44-pin TSOP II (Pb-free)	Automotive-E

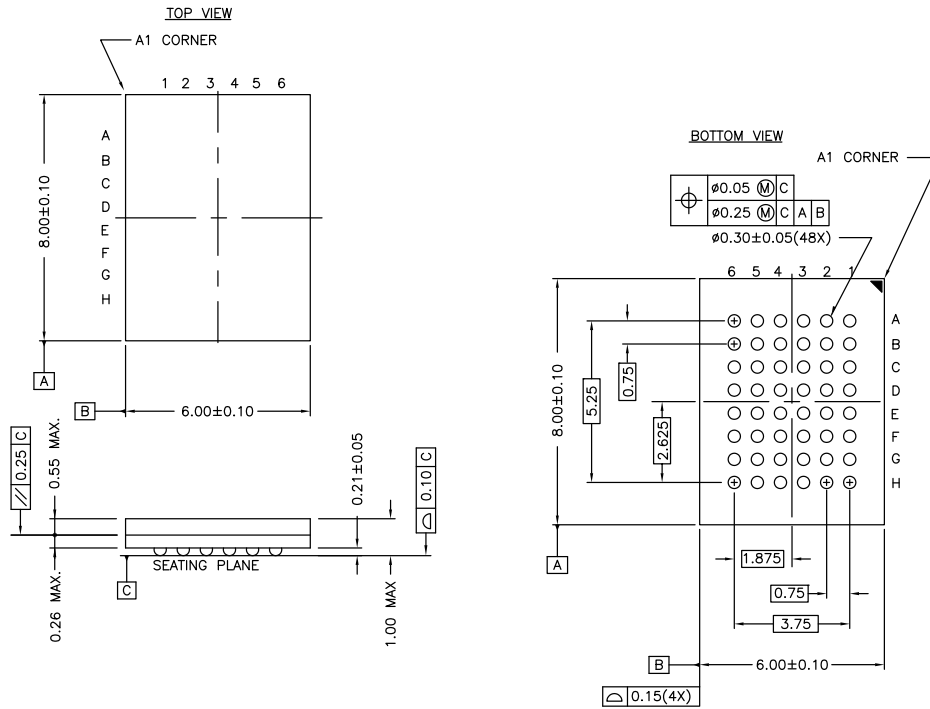
Contact your local Cypress sales representative for availability of these parts.

### Ordering Code Definitions



### Package Diagrams

Figure 11. 48-ball VFBGA (6 × 8 × 1.0 mm) BV48/BZ48 Package Outline, 51-85150

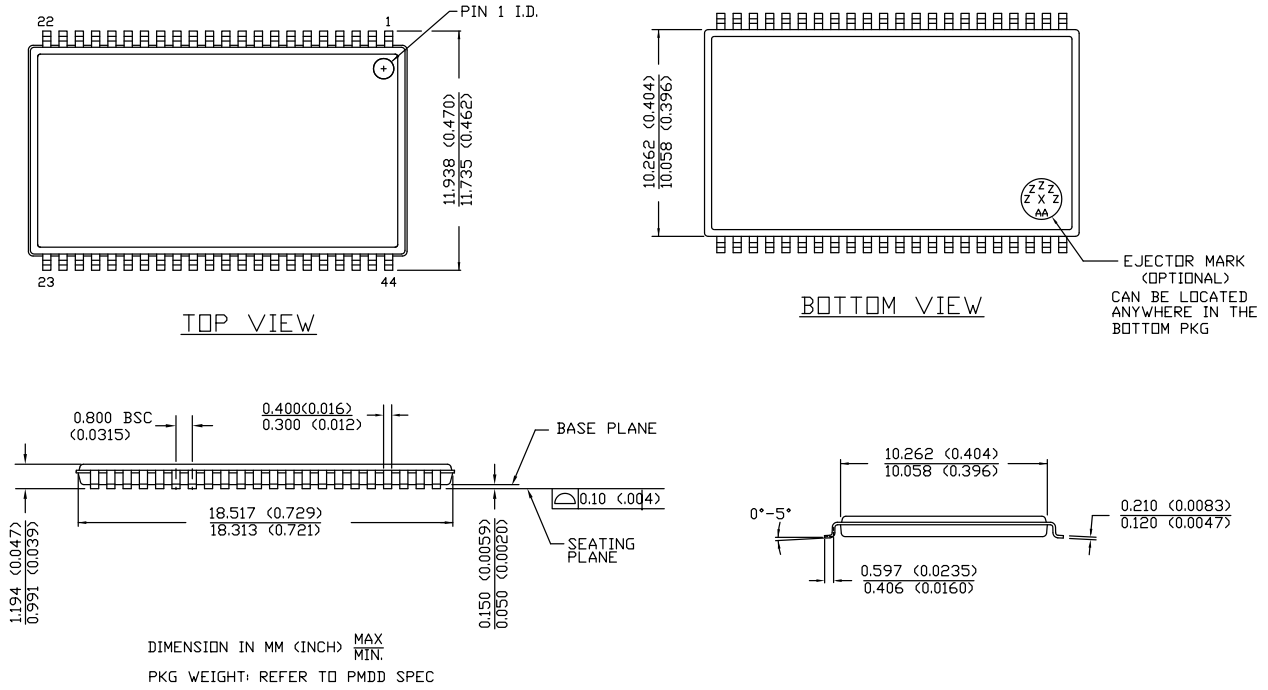


NOTE:  
 PACKAGE WEIGHT: See Cypress Package Material Declaration Datasheet (PMDD)  
 posted on the Cypress web.

51-85150 \*H

Package Diagrams (continued)

Figure 12. 44-pin TSOP Z44-II Package Outline, 51-85087



51-85087 \*E

## Acronyms

Acronym	Description
$\overline{\text{BHE}}$	Byte High Enable
$\overline{\text{BLE}}$	Byte Low Enable
$\overline{\text{CE}}$	Chip Enable
CMOS	Complementary Metal Oxide Semiconductor
I/O	Input/Output
$\overline{\text{OE}}$	Output Enable
SRAM	Static Random Access Memory
TSOP	Thin Small Outline Package
VFBGA	Very Fine-Pitch Ball Grid Array
$\overline{\text{WE}}$	Write Enable

## Document Conventions

### Units of Measure

Symbol	Unit of Measure
°C	degree Celsius
MHz	megahertz
μA	microampere
μs	microsecond
mA	milliampere
ns	nanosecond
%	percent
pF	picofarad
Ω	ohm
V	volt
W	watt

**Document History Page**

Document Title: CY62136FV30 MoBL <sup>®</sup> , 2-Mbit (128 K × 16) Static RAM Document Number: 001-08402				
Revision	ECN	Submission Date	Orig. of Change	Description of Change
**	467351	See ECN	NXR	New data sheet.
*A	797956	See ECN	VKN	Changed status from Preliminary to Final. Updated <b>Features</b> : Changed value of Typical standby current from 0.5 $\mu$ A to 1.0 $\mu$ A. Changed value of Maximum standby current from 2.5 $\mu$ A to 5.0 $\mu$ A. Updated <b>Electrical Characteristics</b> : Changed maximum value of $I_{CC}$ parameter corresponding to Test Condition "f = 1 MHz" from 2.25 $\mu$ A to 2.5 $\mu$ A. Changed typical value of $I_{SB1}$ parameter from 0.5 $\mu$ A to 1.0 $\mu$ A. Changed maximum value of $I_{SB1}$ parameter from 2.5 $\mu$ A to 5.0 $\mu$ A. Changed typical value of $I_{SB2}$ parameter from 0.5 $\mu$ A to 1.0 $\mu$ A. Changed maximum value of $I_{SB2}$ parameter from 2.5 $\mu$ A to 5.0 $\mu$ A. Updated <b>Data Retention Characteristics</b> : Changed typical value of $I_{CCDR}$ parameter from 0.5 $\mu$ A to 1.0 $\mu$ A. Changed maximum value of $I_{CCDR}$ parameter from 2.5 $\mu$ A to 4.0 $\mu$ A.
*B	869500	See ECN	VKN	Added Automotive Temperature Grade related information in all instances across the document. Updated <b>Switching Characteristics</b> : Added Note "Access time parameters are subject to byte enable signals ( $\overline{BHE}$ or $\overline{BLE}$ ) not switching when chip is disabled. Please see application note AN3842 for further clarification." and referred the same in $t_{ACE}$ parameter. Updated <b>Ordering Information</b> .
*C	901800	See ECN	VKN	Updated <b>Electrical Characteristics</b> : Added Note 8 and referred the same note in $I_{SB2}$ parameter. Updated <b>Data Retention Characteristics</b> : Added Note 11 and referred the same note in $I_{CCDR}$ parameter. Updated <b>Switching Characteristics</b> : Removed Note from $t_{ACE}$ parameter and added the same note in "Parameters" column with some updates (Replaced Access time parameters with AC parameters in the note).
*D	1371124	See ECN	VKN / AESA	Changed status of Automotive information from Preliminary to Final (Removed shades). Updated <b>Electrical Characteristics</b> : Changed minimum value of $I_{IX}$ parameter corresponding to 55 ns speed bin from -1 $\mu$ A to -4 $\mu$ A. Changed maximum value of $I_{IX}$ parameter corresponding to 55 ns speed bin from +1 $\mu$ A to +4 $\mu$ A. Changed minimum value of $I_{OZ}$ parameter corresponding to 55 ns speed bin from -1 $\mu$ A to -4 $\mu$ A. Changed maximum value of $I_{OZ}$ parameter corresponding to 55 ns speed bin from +1 $\mu$ A to +4 $\mu$ A. Updated <b>Switching Characteristics</b> : Changed maximum value of $t_{DBE}$ parameter corresponding to 55 ns speed bin from 55 ns to 25 ns.
*E	2594937	10/22/08	NXR / PYRS	Added Automotive-A Temperature Grade related information in all instances across the document. Updated <b>Switching Characteristics</b> : Changed minimum value of $t_{LZBE}$ parameter corresponding to 55 ns speed bin from 10 ns to 5 ns.
*F	2675375	03/17/2009	VKN / PYRS	Updated <b>Product Portfolio</b> : Corrected typo (Replaced $\mu$ A with mA for unit of Standby $I_{SB2}$ ).

**Document History Page** (continued)

Document Title: CY62136FV30 MoBL <sup>®</sup> , 2-Mbit (128 K × 16) Static RAM Document Number: 001-08402				
Revision	ECN	Submission Date	Orig. of Change	Description of Change
*G	2882113	02/19/2010	VKN / AESA	Updated <a href="#">Truth Table</a> : Corrected typo. Updated <a href="#">Package Diagrams</a> .
*H	2943752	06/03/2010	VKN	Updated <a href="#">Truth Table</a> : Added footnote related to Chip enable and Byte enables. Updated <a href="#">Package Diagrams</a> .
*I	3055169	10/12/2010	RAME	Updated all foot notes from table notes. Added <a href="#">Ordering Code Definitions</a> . Added <a href="#">Acronyms</a> and <a href="#">Units of Measure</a> . Updated <a href="#">Package Diagrams</a> .
*J	3263825	06/17/2011	RAME	Updated <a href="#">Functional Description</a> (Removed "For best practice recommendations, refer to the Cypress application note AN1064, SRAM System Guidelines."). Updated <a href="#">Data Retention Characteristics</a> (Minimum value of $t_R$ parameter). Updated to new template.
*K	3376161	09/19/2011	RAME	No technical updates. Completing Sunset Review.
*L	4102266	08/22/2013	VINI	Updated <a href="#">Switching Characteristics</a> : Updated Note 16. Updated <a href="#">Package Diagrams</a> : spec 51-85150 – Changed revision from *G to *H. spec 51-85087 – Changed revision from *D to *E. Updated to new template. Completing Sunset Review.
*M	4581648	11/27/2014	VINI	Updated <a href="#">Functional Description</a> : Added "For a complete list of related resources, <a href="#">click here</a> ." at the end. Updated <a href="#">Maximum Ratings</a> : Referred Notes 4, 5 in "Supply voltage to ground potential".
*N	4989003	10/27/2015	NILE	Updated <a href="#">Switching Characteristics</a> : Added Note 20 and referred the same note in "Write Cycle". Updated <a href="#">Switching Waveforms</a> : Added Note 29 and referred the same note in <a href="#">Figure 9</a> and <a href="#">Figure 10</a> . Updated <a href="#">Truth Table</a> . Updated to new template. Completing Sunset Review.
*O	6010500	01/02/2018	AESATMP8	Updated logo and Copyright.



## Sales, Solutions, and Legal Information

### Worldwide Sales and Design Support

Cypress maintains a worldwide network of offices, solution centers, manufacturer's representatives, and distributors. To find the office closest to you, visit us at [Cypress Locations](#).

#### Products

Arm <sup>®</sup> Cortex <sup>®</sup> Microcontrollers	<a href="http://cypress.com/arm">cypress.com/arm</a>
Automotive	<a href="http://cypress.com/automotive">cypress.com/automotive</a>
Clocks & Buffers	<a href="http://cypress.com/clocks">cypress.com/clocks</a>
Interface	<a href="http://cypress.com/interface">cypress.com/interface</a>
Internet of Things	<a href="http://cypress.com/iot">cypress.com/iot</a>
Memory	<a href="http://cypress.com/memory">cypress.com/memory</a>
Microcontrollers	<a href="http://cypress.com/mcu">cypress.com/mcu</a>
PSoC	<a href="http://cypress.com/psoc">cypress.com/psoc</a>
Power Management ICs	<a href="http://cypress.com/pmic">cypress.com/pmic</a>
Touch Sensing	<a href="http://cypress.com/touch">cypress.com/touch</a>
USB Controllers	<a href="http://cypress.com/usb">cypress.com/usb</a>
Wireless Connectivity	<a href="http://cypress.com/wireless">cypress.com/wireless</a>

#### PSoC<sup>®</sup> Solutions

[PSoC 1](#) | [PSoC 3](#) | [PSoC 4](#) | [PSoC 5LP](#) | [PSoC 6 MCU](#)

#### Cypress Developer Community

[Community](#) | [Projects](#) | [Video](#) | [Blogs](#) | [Training](#) | [Components](#)

#### Technical Support

[cypress.com/support](http://cypress.com/support)

© Cypress Semiconductor Corporation, 2006-2018. This document is the property of Cypress Semiconductor Corporation and its subsidiaries, including Spansion LLC ("Cypress"). This document, including any software or firmware included or referenced in this document ("Software"), is owned by Cypress under the intellectual property laws and treaties of the United States and other countries worldwide. Cypress reserves all rights under such laws and treaties and does not, except as specifically stated in this paragraph, grant any license under its patents, copyrights, trademarks, or other intellectual property rights. If the Software is not accompanied by a license agreement and you do not otherwise have a written agreement with Cypress governing the use of the Software, then Cypress hereby grants you a personal, non-exclusive, nontransferable license (without the right to sublicense) (1) under its copyright rights in the Software (a) for Software provided in source code form, to modify and reproduce the Software solely for use with Cypress hardware products, only internally within your organization, and (b) to distribute the Software in binary code form externally to end users (either directly or indirectly through resellers and distributors), solely for use on Cypress hardware product units, and (2) under those claims of Cypress's patents that are infringed by the Software (as provided by Cypress, unmodified) to make, use, distribute, and import the Software solely for use with Cypress hardware products. Any other use, reproduction, modification, translation, or compilation of the Software is prohibited.

TO THE EXTENT PERMITTED BY APPLICABLE LAW, CYPRESS MAKES NO WARRANTY OF ANY KIND, EXPRESS OR IMPLIED, WITH REGARD TO THIS DOCUMENT OR ANY SOFTWARE OR ACCOMPANYING HARDWARE, INCLUDING, BUT NOT LIMITED TO, THE IMPLIED WARRANTIES OF MERCHANTABILITY AND FITNESS FOR A PARTICULAR PURPOSE. No computing device can be absolutely secure. Therefore, despite security measures implemented in Cypress hardware or software products, Cypress does not assume any liability arising out of any security breach, such as unauthorized access to or use of a Cypress product. In addition, the products described in these materials may contain design defects or errors known as errata which may cause the product to deviate from published specifications. To the extent permitted by applicable law, Cypress reserves the right to make changes to this document without further notice. Cypress does not assume any liability arising out of the application or use of any product or circuit described in this document. Any information provided in this document, including any sample design information or programming code, is provided only for reference purposes. It is the responsibility of the user of this document to properly design, program, and test the functionality and safety of any application made of this information and any resulting product. Cypress products are not designed, intended, or authorized for use as critical components in systems designed or intended for the operation of weapons, weapons systems, nuclear installations, life-support devices or systems, other medical devices or systems (including resuscitation equipment and surgical implants), pollution control or hazardous substances management, or other uses where the failure of the device or system could cause personal injury, death, or property damage ("Unintended Uses"). A critical component is any component of a device or system whose failure to perform can be reasonably expected to cause the failure of the device or system, or to affect its safety or effectiveness. Cypress is not liable, in whole or in part, and you shall and hereby do release Cypress from any claim, damage, or other liability arising from or related to all Unintended Uses of Cypress products. You shall indemnify and hold Cypress harmless from and against all claims, costs, damages, and other liabilities, including claims for personal injury or death, arising from or related to any Unintended Uses of Cypress products.

Cypress, the Cypress logo, Spansion, the Spansion logo, and combinations thereof, WICED, PSoC, CapSense, EZ-USB, F-RAM, and Traveo are trademarks or registered trademarks of Cypress in the United States and other countries. For a more complete list of Cypress trademarks, visit [cypress.com](http://cypress.com). Other names and brands may be claimed as property of their respective owners.

# Mouser Electronics

Authorized Distributor

Click to View Pricing, Inventory, Delivery & Lifecycle Information:

[Cypress Semiconductor:](#)

[CY62136FV30LL-45BVXI](#) [CY62136FV30LL-45ZSXI](#) [CY62136FV30LL-45ZSXA](#) [CY62136FV30LL-55ZSXE](#)