

---

## Contents

<b>1</b>	<b>Electrical ratings</b> .....	<b>3</b>
<b>2</b>	<b>Electrical characteristics</b> .....	<b>4</b>
2.1	Electrical characteristics (curves) .....	5
2.2	Test circuits .....	6
<b>3</b>	<b>Package mechanical data</b> .....	<b>7</b>
3.1	SOT-23 package information .....	7
<b>4</b>	<b>Revision history</b> .....	<b>10</b>

# 1 Electrical ratings

**Table 2. Absolute maximum rating**

Symbol	Parameter	Value	Unit
$V_{CBO}$	Collector-base voltage ( $I_E = 0$ )	15	V
$V_{CEO}$	Collector-emitter voltage ( $I_B = 0$ )	15	V
$V_{EBO}$	Emitter-base voltage ( $I_C = 0$ )	5	V
$I_C$	Collector current	1.5	A
$I_{CM}$	Collector peak current ( $t_p < 5$ ms)	3	A
$P_{tot}$	Total dissipation at $T_{amb} = 25$ °C	0.5	W
$T_{stg}$	Storage temperature range	-65 to 150	°C
$T_J$	Operating junction temperature range		

**Table 3. Thermal data**

Symbol	Parameter	Value	Unit
$R_{thj-amb}^{(1)}$	Thermal resistance junction-amb max	250	°C/W

1. Device mounted on PCB area of 1 cm<sup>2</sup>

## 2 Electrical characteristics

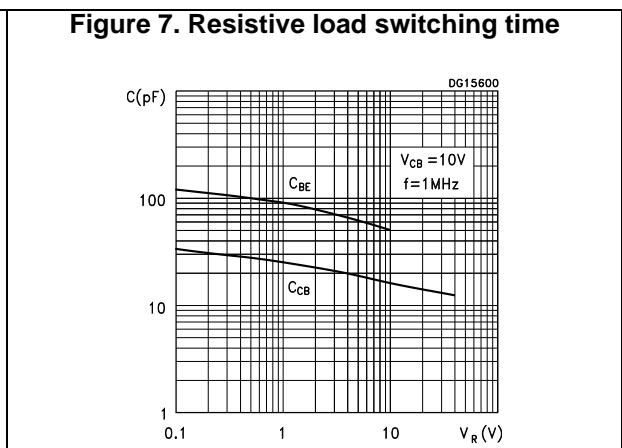
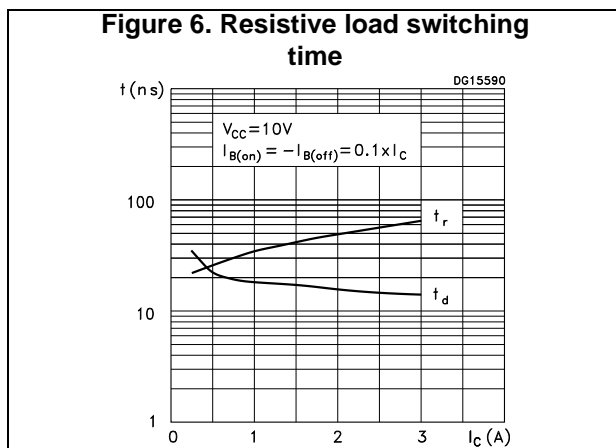
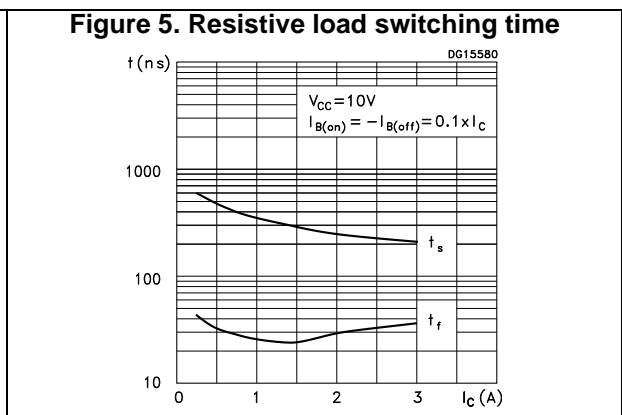
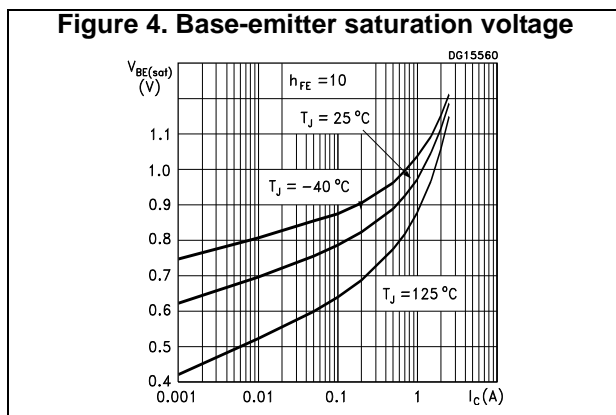
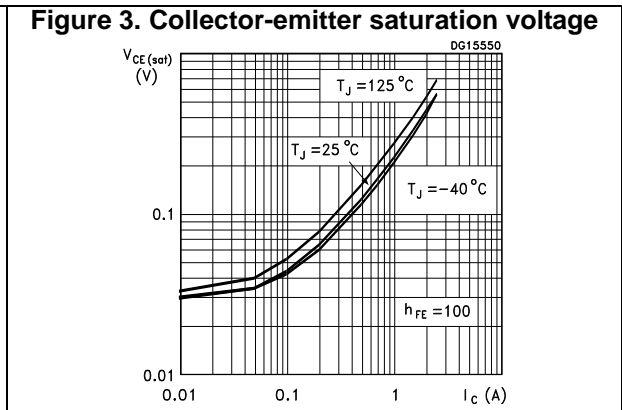
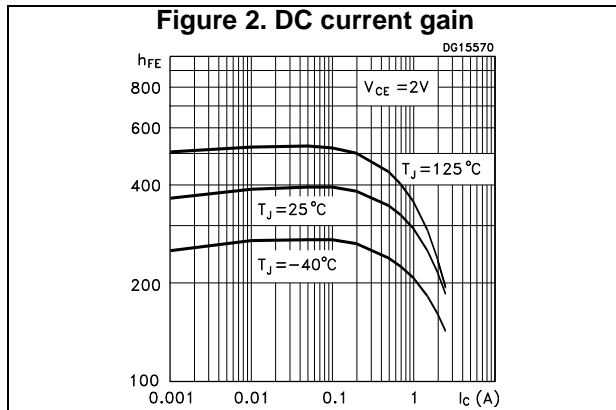
( $T_{\text{case}} = 25^{\circ}\text{C}$  unless otherwise specified)

**Table 4. Electrical characteristics**

Symbol	Parameter	Test conditions	Min.	Typ.	Max.	Unit
$I_{\text{CBO}}$	Collector cut-off current ( $I_{\text{E}} = 0$ )	$V_{\text{CB}} = 15 \text{ V}$			0.1	$\mu\text{A}$
$I_{\text{EBO}}$	Emitter cut-off current ( $I_{\text{C}} = 0$ )	$V_{\text{EB}} = 4 \text{ V}$			0.1	$\mu\text{A}$
$V_{(\text{BR})\text{CBO}}$	Collector-base breakdown voltage ( $I_{\text{E}} = 0$ )	$I_{\text{C}} = 100 \mu\text{A}$	15			V
$V_{(\text{BR})\text{CEO}}^{(1)}$	Collector-emitter breakdown voltage ( $I_{\text{B}} = 0$ )	$I_{\text{C}} = 10 \text{ mA}$	15			V
$V_{(\text{BR})\text{EBO}}$	Emitter-base breakdown voltage ( $I_{\text{C}} = 0$ )	$I_{\text{E}} = 100 \mu\text{A}$	5			V
$V_{\text{CE}(\text{sat})}^{(1)}$	Collector-emitter saturation voltage	$I_{\text{C}} = 0.1 \text{ A}$ $I_{\text{B}} = 1 \text{ mA}$			0.15	V
		$I_{\text{C}} = 1 \text{ A}$ $I_{\text{B}} = 100 \text{ mA}$		0.25	0.5	V
		$I_{\text{C}} = 2 \text{ A}$ $I_{\text{B}} = 200 \text{ mA}$		0.4	0.85	V
$V_{\text{BE}(\text{sat})}^{(1)}$	Base-emitter saturation voltage	$I_{\text{C}} = 1 \text{ A}$ $I_{\text{B}} = 100 \text{ mA}$		0.9	1.25	V
$h_{\text{FE}}^{(1)}$	DC current gain	$I_{\text{C}} = 50 \text{ mA}$ $V_{\text{CE}} = 2 \text{ V}$	200			
		$I_{\text{C}} = 0.5 \text{ A}$ $V_{\text{CE}} = 2 \text{ V}$	200	280	560	
		$I_{\text{C}} = 1 \text{ A}$ $V_{\text{CE}} = 2 \text{ V}$	130			
		$I_{\text{C}} = 2 \text{ A}$ $V_{\text{CE}} = 2 \text{ V}$	80			
$C_{\text{CBO}}$	Collector-base capacitance ( $I_{\text{E}} = 0$ )	$V_{\text{CB}} = 10 \text{ V}$ $f = 1 \text{ MHz}$		16		pF
$t_{\text{on}}$	Turn-on time	Resistive load $I_{\text{C}} = 1.5 \text{ A}$ $V_{\text{CC}} = 10 \text{ V}$		60		ns
$t_{\text{off}}$	Turn-off time	$I_{\text{B1}} = -I_{\text{B2}} = 150 \text{ mA}$		310		ns

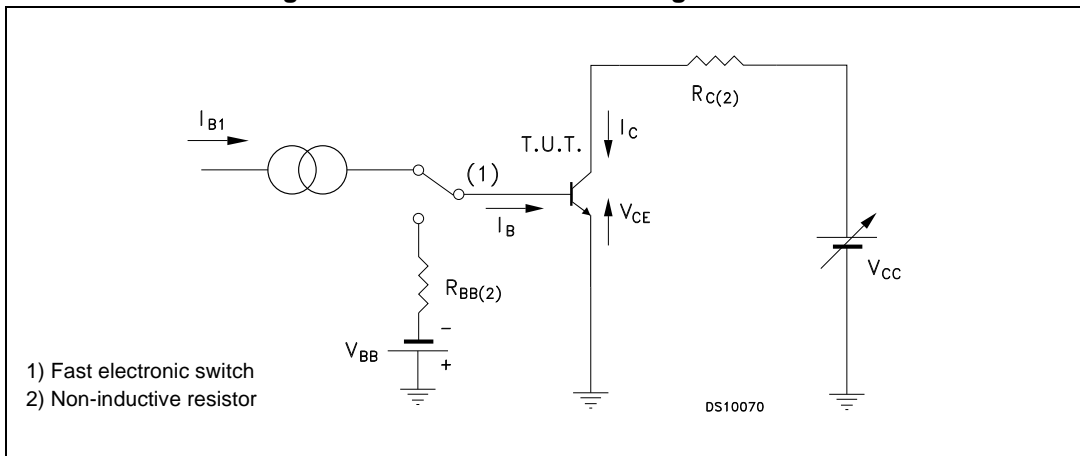
1. Pulsed duration = 300  $\mu\text{s}$ , duty cycle  $\leq 1.5\%$

## 2.1 Electrical characteristics (curves)



## 2.2 Test circuits

Figure 8. Resistive load switching test circuit



### 3 Package mechanical data

In order to meet environmental requirements, ST offers these devices in ECOPACK® packages. These packages have a Lead-free second level interconnect. The category of second level interconnect is marked on the package and on the inner box label, in compliance with JEDEC Standard JESD97. The maximum ratings related to soldering conditions are also marked on the inner box label. ECOPACK is an ST trademark. ECOPACK specifications are available at: [www.st.com](http://www.st.com).

#### 3.1 SOT-23 package information

Figure 9. SOT-23 package outline

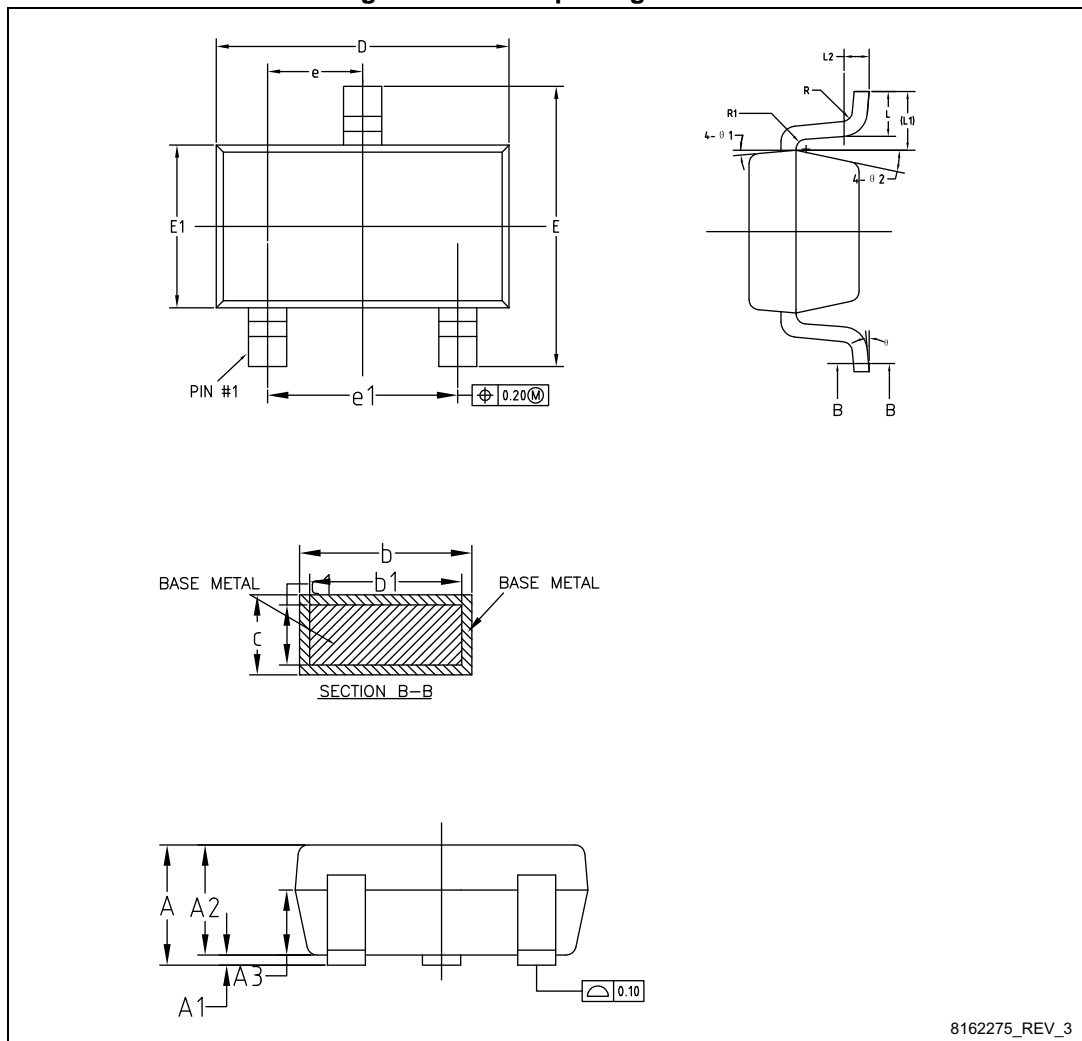
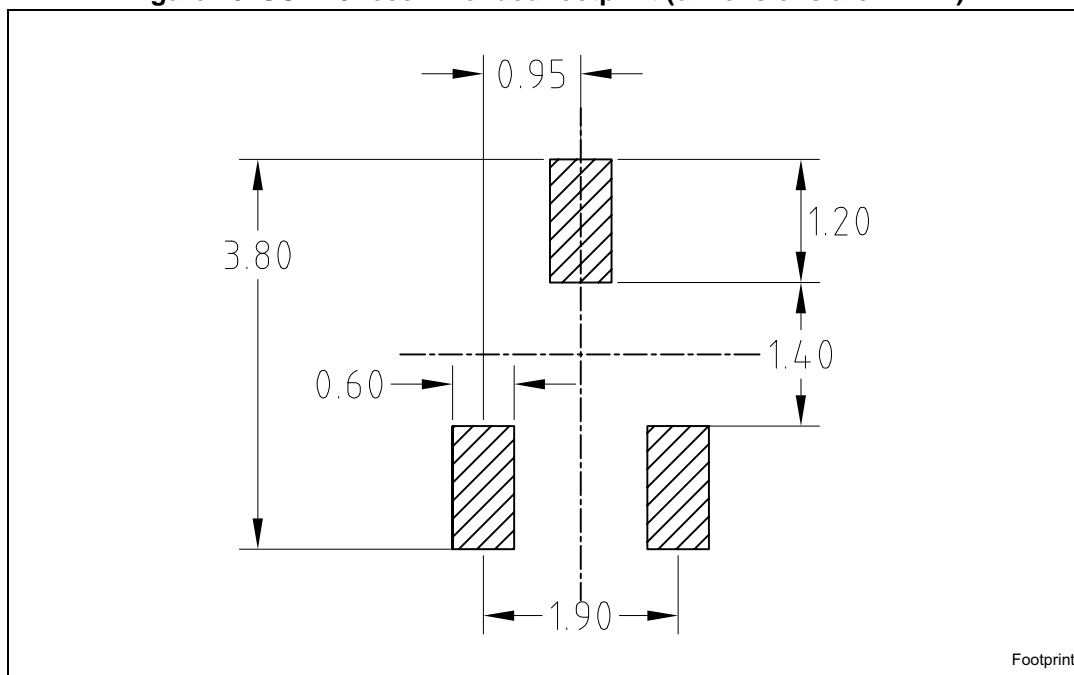


Table 5. SOT-23 mechanical data

Dim.	mm		
	Min.	Typ.	Max.
A			1.25
A1	0		0.15
A2	1	1.10	1.20
A3	0.60	0.65	0.70
b	0.36		0.50
b1	0.36	0.38	0.45
c	0.14		0.20
c1	0.14	0.15	0.16
D	2.826	2.926	3.026
E	2.60	2.80	3.00
E1	1.526	1.626	1.726
e	0.90	0.95	1.00
e1	1.80	1.90	2.00
L	0.35	0.45	0.60
L1	0.59 REF		
L2	0.25 BSC		
R	0.05		
R1	0.05		
Θ	0°		8°
Θ1	3°	5°	7°
Θ2	6°		14°

Figure 10. SOT-23 recommended footprint (dimensions are in mm)





## 4 Revision history

**Table 6. Document revision history**

Date	Revision	Changes
09-Feb-2006	1	Initial release
18-Jul-2006	2	New template
08-Sep-2008	3	Updated the SOT-23 mechanical data.
08-Jan-2009	4	Updated Figure 1: Internal schematic diagram Updated statement ECOPACK®
16-May-2016	5	Updated: description Updated: <a href="#">Table 1</a> Updated: <a href="#">Section 3.1: SOT-23 package information</a> Minor text changes.

**IMPORTANT NOTICE – PLEASE READ CAREFULLY**

STMicroelectronics NV and its subsidiaries ("ST") reserve the right to make changes, corrections, enhancements, modifications, and improvements to ST products and/or to this document at any time without notice. Purchasers should obtain the latest relevant information on ST products before placing orders. ST products are sold pursuant to ST's terms and conditions of sale in place at the time of order acknowledgement.

Purchasers are solely responsible for the choice, selection, and use of ST products and ST assumes no liability for application assistance or the design of Purchasers' products.

No license, express or implied, to any intellectual property right is granted by ST herein.

Resale of ST products with provisions different from the information set forth herein shall void any warranty granted by ST for such product.

ST and the ST logo are trademarks of ST. All other product or service names are the property of their respective owners.

Information in this document supersedes and replaces information previously supplied in any prior versions of this document.

© 2016 STMicroelectronics – All rights reserved



# Mouser Electronics

Authorized Distributor

Click to View Pricing, Inventory, Delivery & Lifecycle Information:

[STMicroelectronics:](#)

[2STR1215](#)