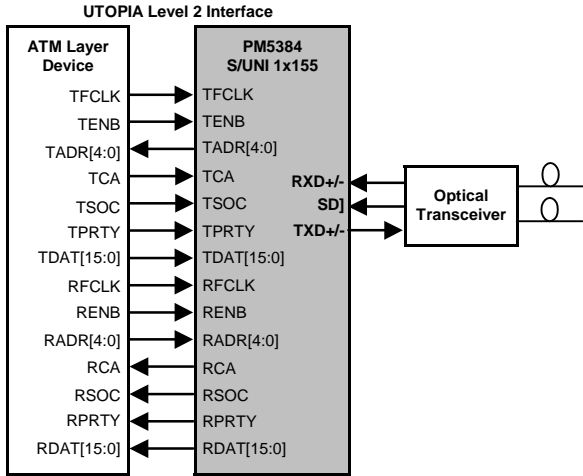


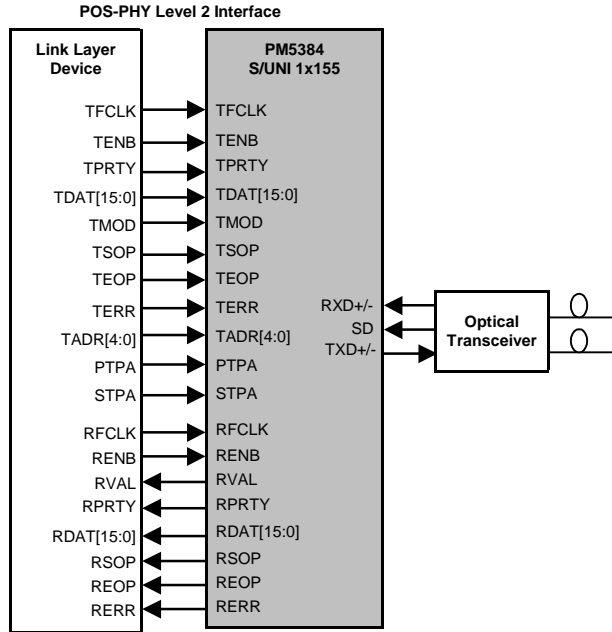
# Single Channel OC-3c ATM and POS Physical Layer Device

## TYPICAL APPLICATIONS

### TYPICAL STS-3C/STM-1 ATM SWITCH PORT

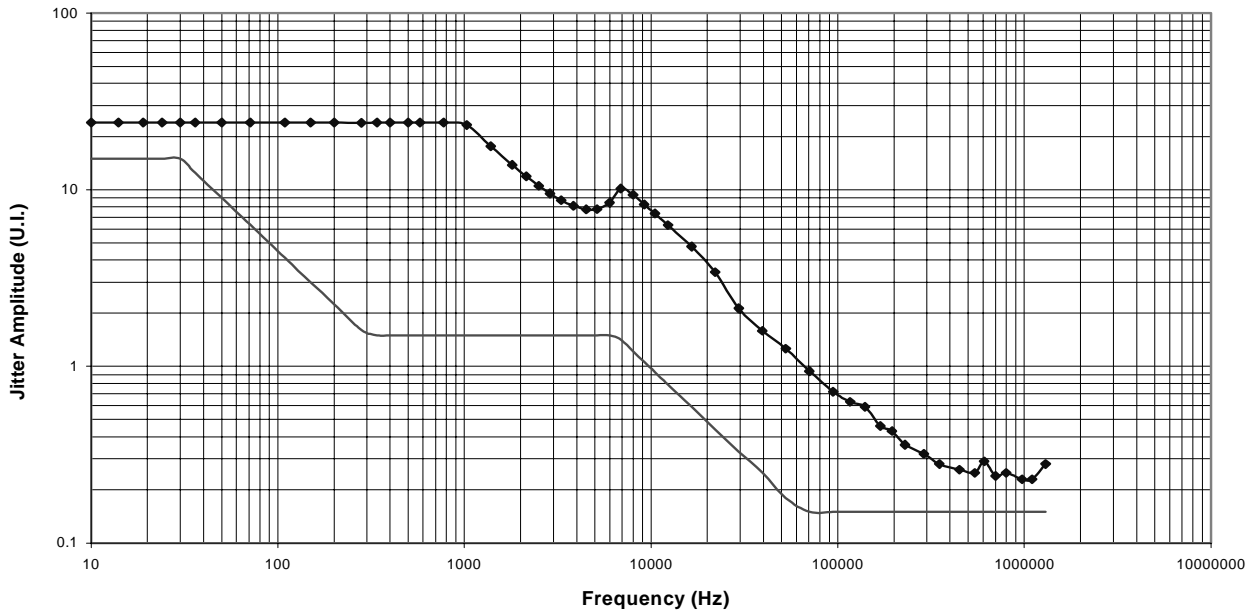


### TYPICAL STS-3C/STM-1 PACKET-OVER-SONET/SDH



## JITTER PLOT

Framed Jitter Tolerance at Nominal Voltage and Temperature with 1dB Optical Penalty



Head Office:  
 PMC-Sierra, Inc.  
 8555 Baxter Place  
 Burnaby, B.C. V5A 4V7  
 Canada  
 Tel: +1.604.415.6000  
 Fax: +1.604.415.6200

To order documentation,  
 send email to:  
 document@pmc-sierra.com  
 or contact the head office,  
 Attn: Document Coordinator

All product documentation is available  
 on our web site at:  
<http://www.pmc-sierra.com>  
 For corporate information,  
 send email to:  
 info@pmc-sierra.com

PMC-2011690 (R2)  
 © Copyright PMC-Sierra,  
 Inc. 2002. All rights reserved.  
 SATURN and S/UNI are  
 registered trademarks of  
 PMC-Sierra, Inc. PMC-  
 Sierra, PMCS, PMC, and  
 POS-PHY are trademarks of  
 PMC-Sierra, Inc.

# Mouser Electronics

Authorized Distributor

Click to View Pricing, Inventory, Delivery & Lifecycle Information:

[Microchip:](#)

[PM5384-NGI](#)