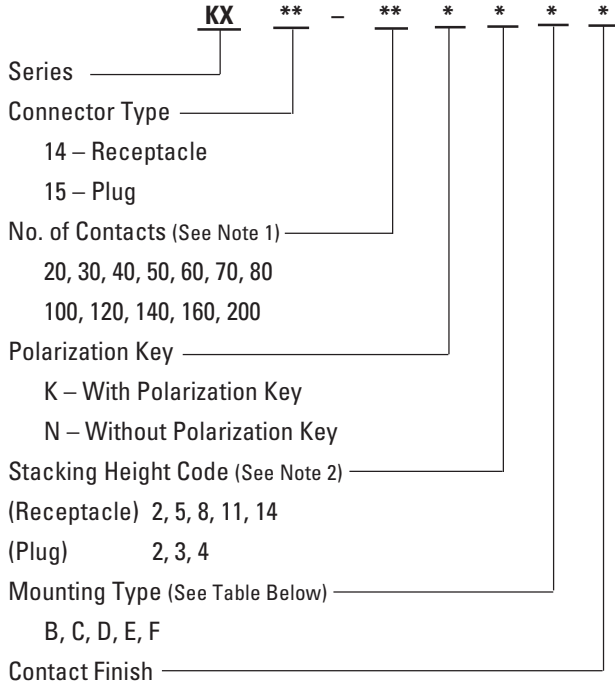


KX14/15 SERIES CONNECTORS

0.8mm (.031") Contact Spacing, PCB-to-PCB SMT Connectors

ORDERING INFORMATION

STRAIGHT



Series **KX**

Connector Type ******
 14 – Receptacle
 15 – Plug

No. of Contacts (See Note 1) **-**
 20, 30, 40, 50, 60, 70, 80
 100, 120, 140, 160, 200

Polarization Key ******
 K – With Polarization Key
 N – Without Polarization Key

Stacking Height Code (See Note 2) *****
 (Receptacle) 2, 5, 8, 11, 14
 (Plug) 2, 3, 4

Mounting Type (See Table Below) *****
 B, C, D, E, F

Contact Finish *****

Blank – Connecting Area: Gold plating 0.1µm
 (.000004") min. over Nickel
 Terminal Area: Gold Flash over Nickel

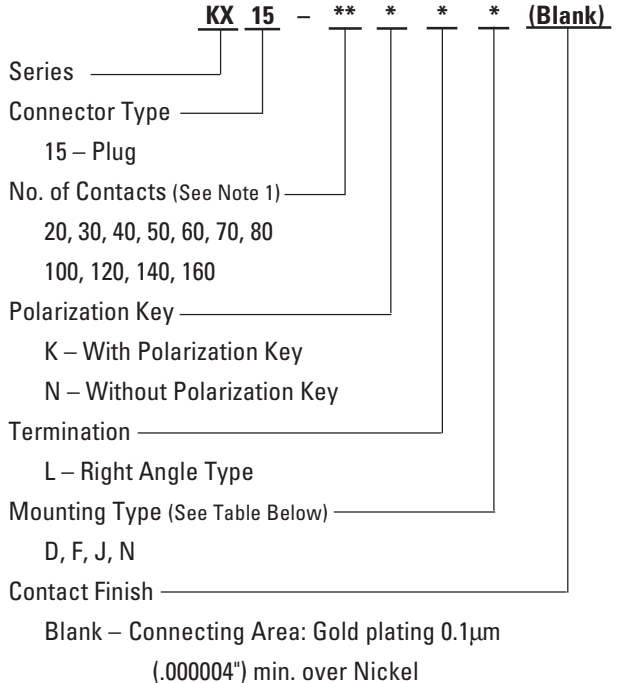
1 – Connecting Area: Gold plating 0.1µm (.000004") min.
 over Nickel
 Terminal Area: Tin-Lead over Nickel

Note 1: Please consult JAE for availability.
 Note 2: Stacking Height = Stacking Height Code of KX14 &
 Stacking Height Code of KX15.

Mounting Type for Straight

	Positioning Key	Hold Down	Flange	Hook Pin
B	○	—	—	—
C	○	—	○	○
D	○	○	○	—
E	○	—	○	—
F	—	○	○	—

RIGHT ANGLE



Series **KX 15**

Connector Type **15**
 15 – Plug

No. of Contacts (See Note 1) **-**
 20, 30, 40, 50, 60, 70, 80
 100, 120, 140, 160

Polarization Key ******
 K – With Polarization Key
 N – Without Polarization Key

Termination *****
 L – Right Angle Type

Mounting Type (See Table Below) *****
 D, F, J, N

Contact Finish ***** **(Blank)**

Blank – Connecting Area: Gold plating 0.1µm
 (.000004") min. over Nickel
 Terminal Area: Gold Flash over Nickel

Note 1: Please consult JAE for availability.

Mounting Type for Right Angle

	Positioning Key	Hold Down	Nut
D	○	○	—
F	—	○	—
J	○	—	—
N	○	—	○

Stacking Height (Parallel PCB to PCB connection)

		Plug			
		Stacking Height Code	2	3	4
Receptacle	2		4 (.157)	5 (.197)	6 (.236)
	5		7 (.276)	8 (.315)	9 (.354)
	8		10 (.394)	11 (.433)	12 (.472)
	11		13 (.512)	14 (.551)	15 (.591)
	14		16 (.630)	17 (.669)	18 (.709)

Dimensions in mm (inches).

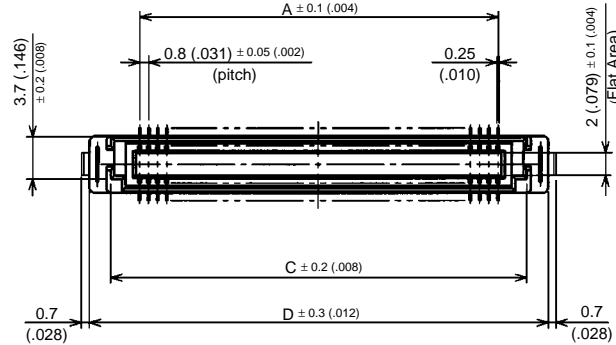
KX14/15 SERIES CONNECTORS

0.8mm (.031") Contact Spacing, PCB-to-PCB SMT Connectors

KX14 • STRAIGHT RECEPTACLE

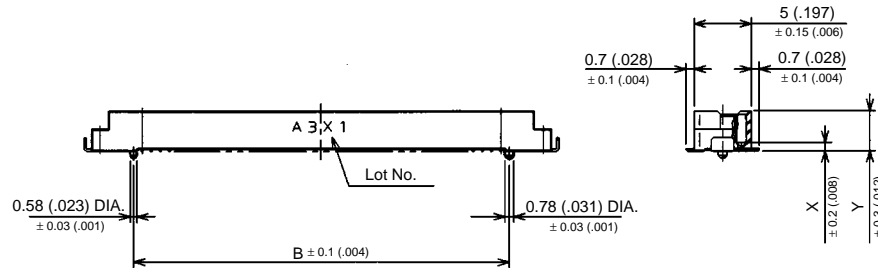
Note 1: Shown below is mounting type D with polarization key.

Note 2: Mounting side configuration for 200 contacts is different. Please consult JAE.

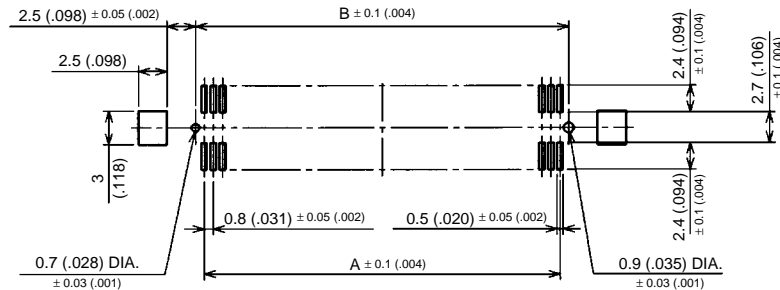


Dimension X and Y

Stacking Height Code	X	Y
2	0.75 (.030)	3.55 (.140)
5	3.75 (.148)	6.55 (.258)
8	6.75 (.266)	9.55 (.376)
11	9.75 (.384)	12.55 (.494)
14	12.75 (.502)	15.55 (.612)



Applicable PCB Dimension (Ref.)



No. of Contacts	Part Number (Note 1)		A	B	C	D
	With Polarization Key	Without Polarization Key				
20	KX14- 20K□*+	KX14- 20N□*+	7.2 (.283)	8.7 (.342)	12.3 (.484)	16 (.630)
30	KX14- 30K□*+	KX14- 30N□*+	11.2 (.441)	12.7 (.500)	16.3 (.642)	20 (.787)
40	KX14- 40K□*+	KX14- 40N□*+	15.2 (.598)	16.7 (.657)	20.3 (.799)	24 (.945)
50	KX14- 50K□*+	KX14- 50N□*+	19.2 (.756)	20.7 (.815)	24.3 (.957)	28 (1.102)
60	KX14- 60K□*+	KX14- 60N□*+	23.2 (.913)	24.7 (.972)	28.3 (1.114)	32 (1.260)
70	KX14- 70K□*+	KX14- 70N□*+	27.2 (1.071)	28.7 (1.130)	32.3 (1.272)	36 (1.417)
80	KX14- 80K□*+	KX14- 80N□*+	31.2 (1.228)	32.7 (1.287)	36.3 (1.429)	40 (1.575)
100	KX14- 100K□*+	KX14- 100N□*+	39.2 (1.543)	40.7 (1.602)	44.3 (1.744)	48 (1.890)
120	KX14- 120K□*+	KX14- 120N□*+	47.2 (1.858)	48.7 (1.917)	52.3 (2.059)	56 (2.205)
140	KX14- 140K□*+	KX14- 140N□*+	55.2 (2.173)	56.7 (2.232)	60.3 (2.374)	64 (2.520)
160	KX14- 160K□*+	KX14- 160N□*+	63.2 (2.488)	64.7 (2.547)	68.3 (2.689)	72 (2.835)
200	KX14- 200K□*+	KX14- 200N□*+	80.8 (3.181)	82.3 (3.240)	85.85 (3.380)	89.6 (3.528)

Note 1: □ – Add stacking height code 2, 5, 8, 11 or 14.

+ – Add contact finish code 1 or blank.

Note 2: Please consult JAE for availability.

* – Add mounting type code B, C, D, E or F.

Refer to Mounting and Stacking Height Tables.

Dimensions in mm (inches).



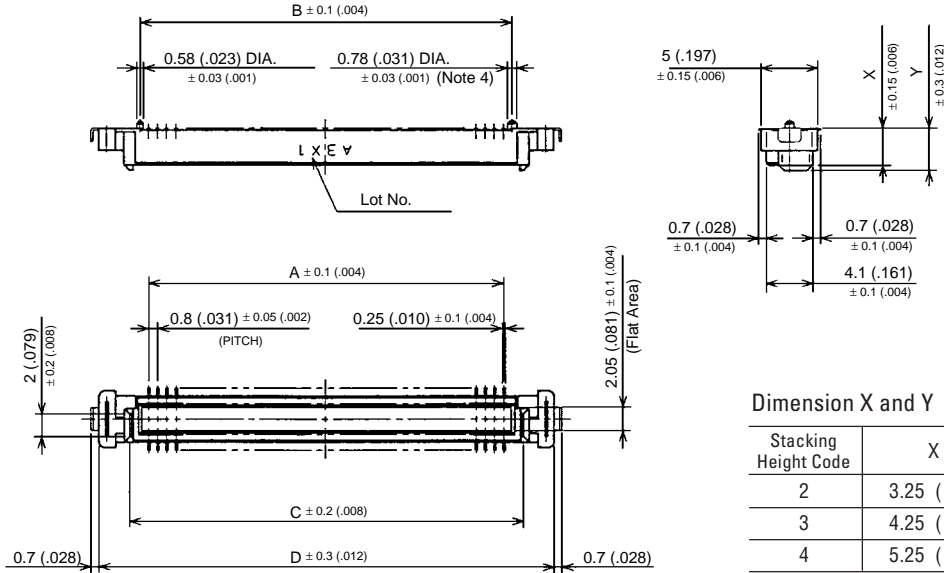
KX14/15 SERIES CONNECTORS

0.8mm (.031") Contact Spacing, PCB-to-PCB SMT Connectors

KX15 • STRAIGHT PLUG

Note 1: Shown below is mounting type D with polarization key.

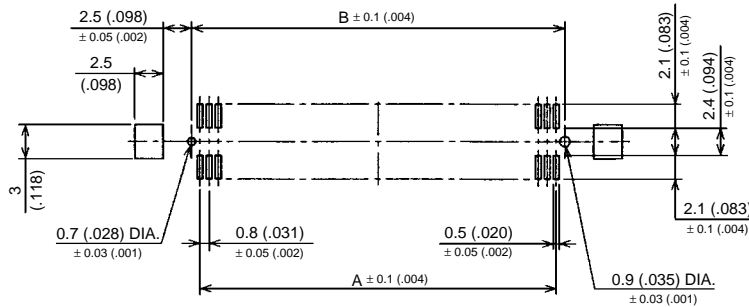
Note 2: Mounting side configuration for 200 contacts is different. Please consult JAE.



Dimension X and Y

Stacking Height Code	X	Y
2	3.25 (.128)	3.75 (.148)
3	4.25 (.167)	4.75 (.187)
4	5.25 (.207)	5.75 (.226)

Applicable PCB Dimension (Ref.)



No. of Contacts	Part Number (Note 1)		A	B	C	D
	With Polarization Key	Without Polarization Key				
20	KX15- 20K□*+	KX15- 20N□*+	7.2 (.283)	8.7 (.342)	10.6 (.417)	16 (.630)
30	KX15- 30K□*+	KX15- 30N□*+	11.2 (.441)	12.7 (.500)	14.6 (.575)	20 (.787)
40	KX15- 40K□*+	KX15- 40N□*+	15.2 (.598)	16.7 (.657)	18.6 (.732)	24 (.945)
50	KX15- 50K□*+	KX15- 50N□*+	19.2 (.756)	20.7 (.815)	22.6 (.890)	28 (1.102)
60	KX15- 60K□*+	KX15- 60N□*+	23.2 (.913)	24.7 (.972)	26.6 (1.047)	32 (1.260)
70	KX15- 70K□*+	KX15- 70N□*+	27.2 (1.071)	28.7 (1.130)	30.6 (1.205)	36 (1.417)
80	KX15- 80K□*+	KX15- 80N□*+	31.2 (1.228)	32.7 (1.287)	34.6 (1.362)	40 (1.575)
100	KX15- 100K□*+	KX15- 100N□*+	39.2 (1.543)	40.7 (1.602)	42.6 (1.677)	48 (1.890)
120	KX15- 120K□*+	KX15- 120N□*+	47.2 (1.858)	48.7 (1.917)	50.6 (1.992)	56 (2.205)
140	KX15- 140K□*+	KX15- 140N□*+	55.2 (2.173)	56.7 (2.232)	58.6 (2.307)	64 (2.520)
160	KX15- 160K□*+	KX15- 160N□*+	63.2 (2.488)	64.7 (2.547)	66.6 (2.622)	72 (2.835)
200	KX15- 200K□*+	KX15- 200N□*+	80.8 (3.181)	82.3 (3.240)	84.2 (3.315)	89.6 (3.528)

Note 1: □ – Add stacking height code 2, 3, or 4.

+ – Add contact finish code 1 or blank.

* – Add mounting type code B, C, D, E or F.

Refer to Mounting and Stacking Height Tables.

Note 2: Please consult JAE for availability.

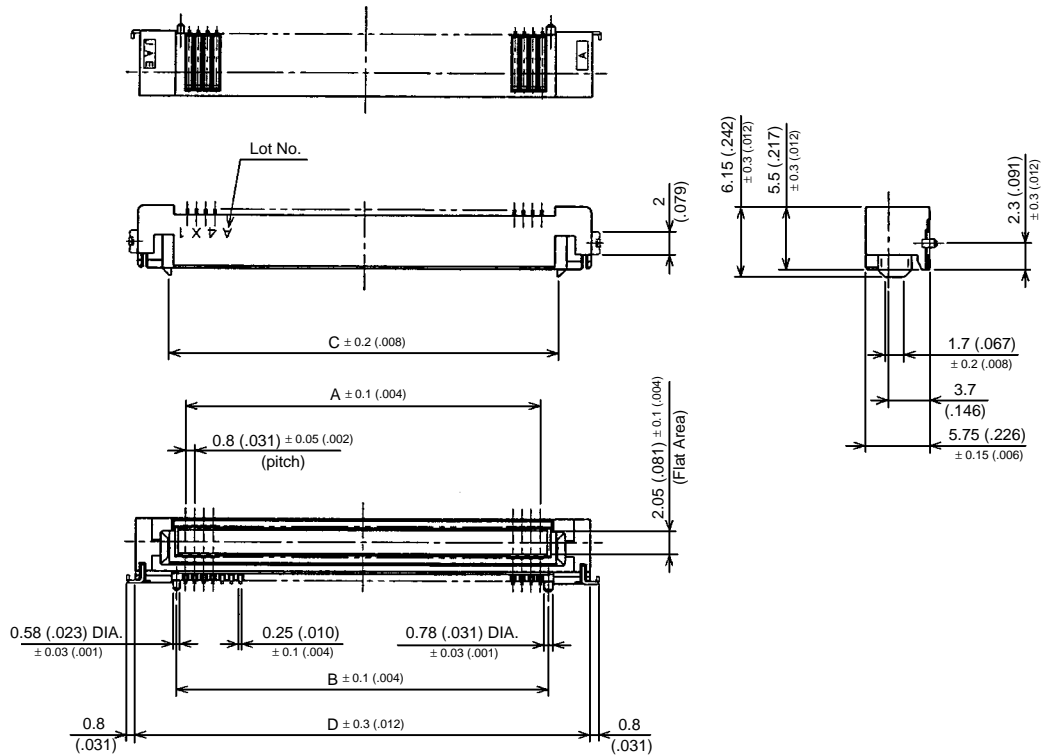
Dimensions in mm (inches).

KX14/15 SERIES CONNECTORS

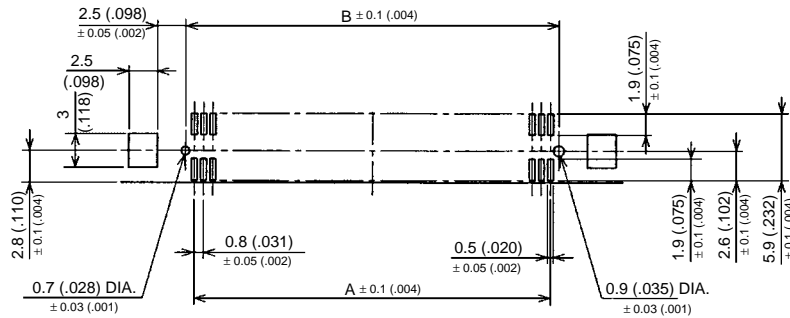
0.8mm (.031") Contact Spacing, PCB-to-PCB SMT Connectors

KX15 • RIGHT ANGLE PLUG

Note: Shown below is mounting type D with polarization key.



Applicable PCB Dimension (Ref.)



No. of Contacts	Part Number (Note 1)		A	B	C	D
	With Polarization Key	Without Polarization Key				
20	KX15- 20KL *	KX15- 20NL *	7.2 (.283)	8.7 (.342)	10.3 (.406)	16 (.630)
30	KX15- 30KL *	KX15- 30NL *	11.2 (.441)	12.7 (.500)	14.3 (.563)	20 (.787)
40	KX15- 40KL *	KX15- 40NL *	15.2 (.598)	16.7 (.657)	18.3 (.720)	24 (.945)
50	KX15- 50KL *	KX15- 50NL *	19.2 (.756)	20.7 (.815)	22.3 (.878)	28 (1.102)
60	KX15- 60KL *	KX15- 60NL *	23.2 (.913)	24.7 (.972)	26.3 (1.035)	32 (1.260)
70	KX15- 70KL *	KX15- 70NL *	27.2 (1.071)	28.7 (1.130)	30.3 (1.193)	36 (1.417)
80	KX15- 80KL *	KX15- 80NL *	31.2 (1.228)	32.7 (1.287)	34.3 (1.350)	40 (1.575)
100	KX15-100KL *	KX15-100NL *	39.2 (1.543)	40.7 (1.602)	42.3 (1.665)	48 (1.890)
120	KX15-120KL *	KX15-120NL *	47.2 (1.858)	48.7 (1.917)	50.3 (1.980)	56 (2.205)
140	KX15-140KL *	KX15-140NL *	55.2 (2.173)	56.7 (2.232)	58.3 (2.295)	64 (2.520)
160	KX15-160KL *	KX15-160NL *	63.2 (2.488)	64.7 (2.547)	66.3 (2.610)	72 (2.835)

Note 1: * – Add mounting type code D, F, J or N. Refer to Mounting and Stacking Height Tables.

Note 2: Please consult JAE for availability.

Dimensions in mm (inches).



Mouser Electronics

Authorized Distributor

Click to View Pricing, Inventory, Delivery & Lifecycle Information:

JAE Electronics:

[KX14-50K2D-RE](#) [KX15-40K2D-RE](#) [KX14-60K2DE](#) [KX15-100K4DE](#) [KX14-100K2DE](#) [KX14-100K11DE](#) [KX14-100K2D1](#) [KX15-80K2D1](#) [KX14-80K2D1](#) [KX14-40K2D1](#) [KX15-40K2D1](#) [KX14-80K5D1](#) [KX14-50K5D1](#) [KX15-50K4D1](#) [KX15-50K3D1](#) [KX14-40K5D1](#) [KX15-60K2D1](#) [KX15-50KLDL](#) [KX14-50K11D1](#) [KX14-80K8D1](#) [KX15-40K3D1](#) [KX15-80K3D1](#) [KX14-50K8D1](#) [KX14-100K11D](#) [KX15-100K2D](#) [KX15-50K2D1](#) [KX14-50K2D1](#) [KX14-30K2DE](#) [KX15-20KLDLE](#) [KX15-30KLDLE](#) [KX15-30K4DE](#) [KX15-50KLDL-E1000E](#) [KX14-50K5D-RE](#) [KX14-40K2D-RE](#) [KX15-50K3DE](#) [KX14-50K8DE](#) [KX15-50K4DE](#) [KX14-50K11DE](#) [KX14-80K5DE](#) [KX14-40K5D-RE](#) [KX15-80K3DE](#) [KX14-80K2DE](#) [KX15-40K3DE](#) [KX14-80K8DE](#) [KX1570NLNL](#) [KX1550K8DE](#) [KX1470N2DE](#) [KX1460K8DE](#) [KX14100K14DE](#) [KX15160N3DE](#) [KX15100N4DE](#) [KX1580N2DE](#) [KX15140K2DE](#) [KX15100NLNL](#) [KX14120K8DE](#) [KX14160N5DE](#) [KX14100K8DE](#) [KX1580N4DE](#) [KX1540K3DE1000E](#) [KX1540K4DRE1000E](#) [KX1570K3DE1000E](#) [KX1430K5DE1000E](#) [KX1470K8DE650E](#) [KX1580KLDLVIE1000E](#) [KX1550K2DE1000E](#) [KX1540KLDLE1000E](#) [KX1480K8DE650E](#) [KX15100K4DE300E](#) [KX1460K8DE650E](#) [KX1540K8DE650E](#) [KX1530K2DE1000E](#) [KX1430K2DE1000E](#) [KX1420K8DE650E](#) [KX1440K8DE650E](#) [KX1560K3E9E1000E](#) [KX1430K8DE650E](#) [KX1540K2DRE1000E](#) [KX1580K4DE1000E](#) [KX1550K3DE1000E](#) [KX1560K4DE1000E](#) [KX1570K2DE1000E](#) [KX1440K5DRE1000E](#) [KX1560K2DE1000E](#) [KX1460K2DE1000E](#) [KX15-30K3DE](#) [KX15-40K4D-RE](#) [KX14-50KL7.4H1E](#) [KX15-60K3DE](#) [KX14-120K2DE](#) [KX14-100K5DE](#) [KX14-100N5DE](#) [KX14-120K5DE](#) [KX14-140K2DE](#) [KX14-140K5DE](#) [KX14-160K5DE](#) [KX14-20K11DE](#) [KX14-20K2D-E1000E](#) [KX14-20K5DE](#) [KX14-20K5D-E1000E](#) [KX14-20K8DE](#)