

Contents

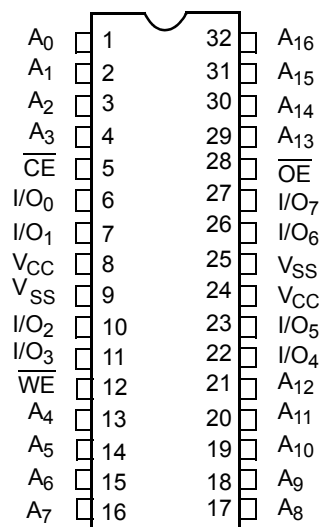
Selection Guide	3	Package Diagram	10
Pin Configuration	3	Acronyms	11
Maximum Ratings	4	Document Conventions	11
Operating Range	4	Units of Measure	11
Electrical Characteristics	4	Document History Page	12
Capacitance	5	Sales, Solutions, and Legal Information	14
Thermal Resistance	5	Worldwide Sales and Design Support	14
AC Test Loads and Waveforms	5	Products	14
Switching Characteristics	6	PSoC® Solutions	14
Switching Waveforms	7	Cypress Developer Community	14
Truth Table	9	Technical Support	14
Ordering Information	9		
Ordering Code Definitions	9		

Selection Guide

Description	-10 (Industrial/ Automotive-A)	Unit
Maximum Access Time	10	ns
Maximum Operating Current	80	mA
Maximum Standby Current	5	mA

Pin Configuration

Figure 1. 32-pin TSOP II pinout (Top View) ^[1]



Note

1. NC pins are not connected on the die.

Maximum Ratings

Exceeding maximum ratings may impair the useful life of the device. These user guidelines are not tested.

Storage Temperature -65 °C to +150 °C

Ambient Temperature
with Power Applied -55 °C to +125 °C

Supply Voltage
on V_{CC} to Relative GND [2] -0.5 V to +4.6 V

DC Voltage Applied to Outputs
in High Z State [2] -0.5 V to $V_{CC} + 0.5$ V

DC Input Voltage [2] -0.5 V to $V_{CC} + 0.5$ V

Current into Outputs (LOW) 20 mA

Static Discharge Voltage
(per MIL-STD-883, Method 3015) >2001 V

Latch up Current >200 mA

Operating Range

Range	Ambient Temperature	V_{CC}
Commercial	0 °C to +70 °C	3.3 V ± 10%
Industrial	-40 °C to +85 °C	3.3 V ± 10%
Automotive-A	-40 °C to +85 °C	3.3 V ± 10%

Electrical Characteristics

Over the Operating Range

Parameter	Description	Test Conditions	-10 (Industrial/Auto-A)		Unit
			Min	Max	
V_{OH}	Output HIGH Voltage	$V_{CC} = \text{Min}, I_{OH} = -4.0 \text{ mA}$	2.4	-	V
V_{OL}	Output LOW Voltage	$V_{CC} = \text{Min}, I_{OL} = 8.0 \text{ mA}$	-	0.4	V
V_{IH}	Input HIGH Voltage		2.0	$V_{CC} + 0.3$	V
V_{IL}	Input LOW Voltage ^[2]		-0.3	0.8	V
I_{IX}	Input Leakage Current	$GND \leq V_I \leq V_{CC}$	-1	+1	μA
I_{OZ}	Output Leakage Current	$GND \leq V_I \leq V_{CC}$, Output Disabled	-1	+1	μA
I_{CC}	V_{CC} Operating Supply Current	$V_{CC} = \text{Max}, I_{OUT} = 0 \text{ mA}, f = f_{MAX} = 1/t_{RC}$	-	80	mA
I_{SB1}	Automatic CE Power down Current – TTL Inputs	Max V_{CC} , $\overline{CE} \geq V_{IH}$, $V_{IN} \geq V_{IH}$ or $V_{IN} \leq V_{IL}$, $f = f_{MAX}$	-	15	mA
I_{SB2}	Automatic CE Power down Current – CMOS Inputs	Max V_{CC} , $\overline{CE} \geq V_{CC} - 0.3 \text{ V}$, $V_{IN} \geq V_{CC} - 0.3 \text{ V}$, or $V_{IN} \leq 0.3 \text{ V}$, $f = 0$	-	5	mA

Note

2. V_{IL} (min.) = -2.0 V for pulse durations of less than 20 ns.

Capacitance

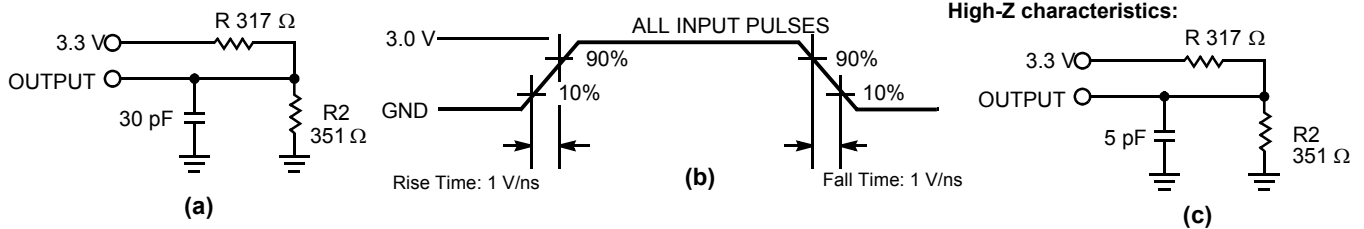
Parameter ^[3]	Description	Test Conditions	Max	Unit
C _{IN}	Input capacitance	T _A = 25 °C, f = 1 MHz, V _{CC} = 5.0 V	8	pF
C _{OUT}	Output capacitance		8	pF

Thermal Resistance

Parameter ^[3]	Description	Test Conditions	32-pin TSOP II	Unit
θ _{JA}	Thermal resistance (junction to ambient)	Still air, soldered on a 3 × 4.5 inch, four-layer printed circuit board	68.61	°C/W
θ _{JC}	Thermal resistance (junction to case)		20.59	°C/W

AC Test Loads and Waveforms

Figure 2. AC Test Loads and Waveforms ^[4]



Notes

- 3. Tested initially and after any design or process changes that may affect these parameters.
- 4. AC characteristics (except High Z) for all speeds are tested using the Thevenin load shown in section (a) in Figure 2. High Z characteristics are tested for all speeds using the test load shown in section (c) in Figure 2.

Switching Characteristics

Over the Operating Range

Parameter ^[5]	Description	-10 (Industrial/ Automotive-A)		Unit
		Min	Max	
Read Cycle				
t_{RC}	Read Cycle Time	10	–	ns
t_{AA}	Address to Data Valid	–	10	ns
t_{OHA}	Data Hold from Address Change	3	–	ns
t_{ACE}	\overline{CE} LOW to Data Valid	–	10	ns
t_{DOE}	\overline{OE} LOW to Data Valid	–	5	ns
t_{LZOE}	\overline{OE} LOW to Low Z ^[6]	0	–	ns
t_{HZOE}	\overline{OE} HIGH to High Z ^[6, 7]	–	5	ns
t_{LZCE}	\overline{CE} LOW to Low Z ^[6]	3	–	ns
t_{HZCE}	\overline{CE} HIGH to High Z ^[6, 7]	–	5	ns
t_{PU} ^[8]	\overline{CE} LOW to Power Up	0	–	ns
t_{PD} ^[8]	\overline{CE} HIGH to Power Down	–	10	ns
Write Cycle ^[9, 10]				
t_{WC}	Write Cycle Time	10	–	ns
t_{SCE}	\overline{CE} LOW to Write End	8	–	ns
t_{AW}	Address Setup to Write End	8	–	ns
t_{HA}	Address Hold from Write End	0	–	ns
t_{SA}	Address Setup to Write Start	0	–	ns
t_{PWE}	\overline{WE} Pulse Width	7	–	ns
t_{SD}	Data Setup to Write End	5	–	ns
t_{HD}	Data Hold from Write End	0	–	ns
t_{LZWE}	\overline{WE} HIGH to Low Z ^[6]	3	–	ns
t_{HZWE}	\overline{WE} LOW to High Z ^[6, 7]	–	5	ns

Notes

- Test conditions assume signal transition time of 3 ns or less, timing reference levels of 1.5 V, input pulse levels of 0 to 3.0 V.
- At any given temperature and voltage condition, t_{HZCE} is less than t_{LZCE} , t_{HZOE} is less than t_{LZOE} , and t_{HZWE} is less than t_{LZWE} for any given device.
- t_{HZOE} , t_{HZCE} , and t_{HZWE} are specified with a load capacitance of 5 pF as in part (d) of [Figure 2 on page 5](#). Transition is measured ± 500 mV from steady-state voltage.
- This parameter is guaranteed by design and is not tested.
- The internal write time of the memory is defined by the overlap of \overline{CE} LOW and \overline{WE} LOW. \overline{CE} and \overline{WE} must be LOW to initiate a write, and the transition of any of these signals can terminate the write. The input data setup and hold timing should be referenced to the leading edge of the signal that terminates the write.
- The minimum write cycle time for Write Cycle No. 3 (\overline{WE} Controlled, \overline{OE} LOW) should be equal to the sum of t_{HZWE} and t_{SD} .

Switching Waveforms

Figure 3. Read Cycle No. 1 [11, 12]

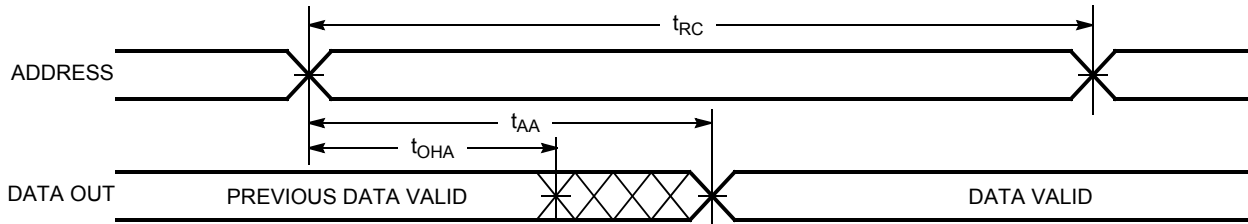


Figure 4. Read Cycle No. 2 (\overline{OE} Controlled) [12, 13]

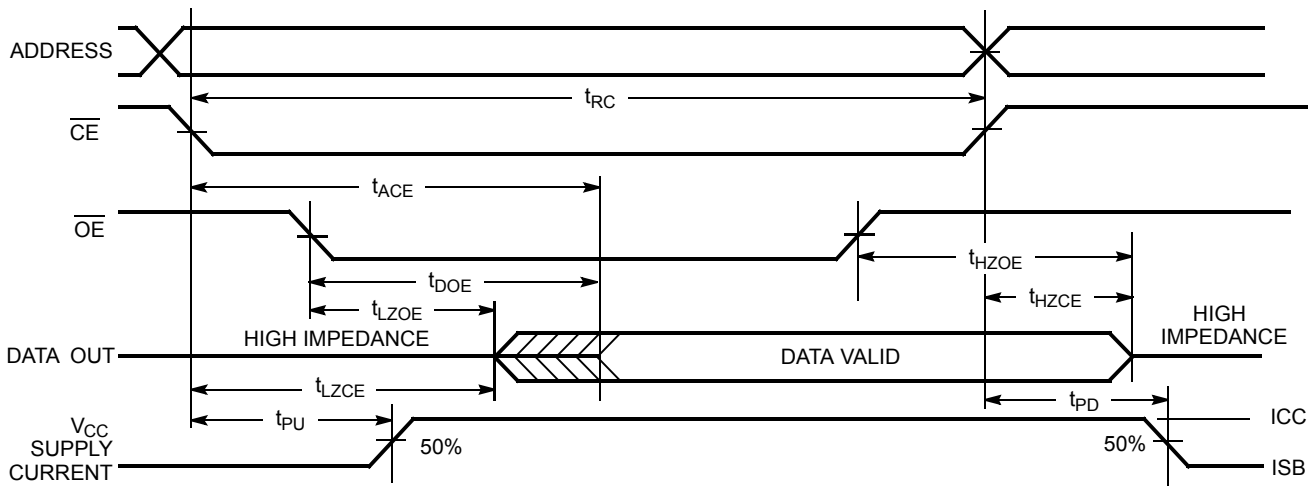
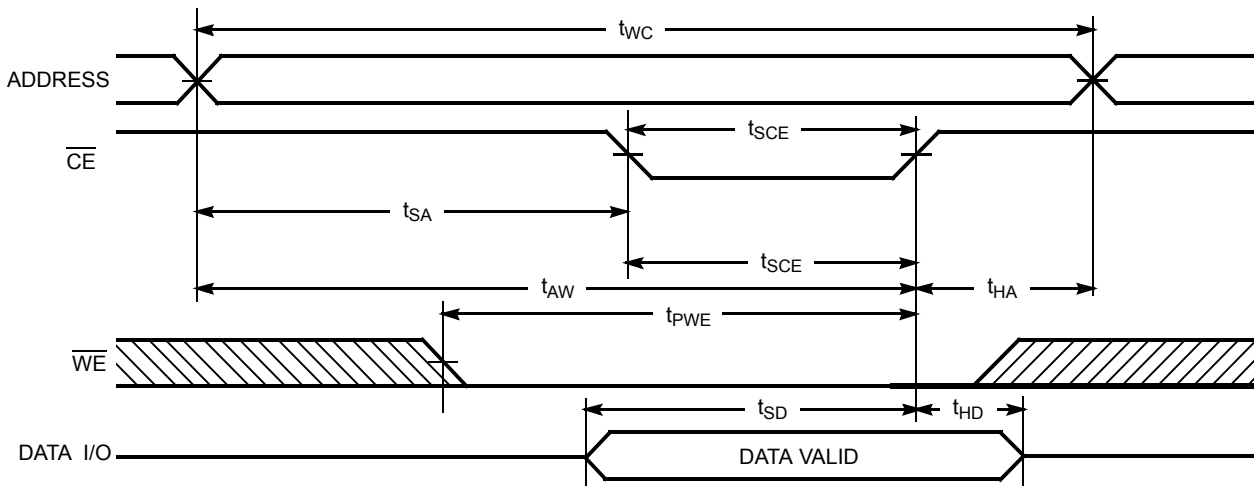


Figure 5. Write Cycle No. 1 (\overline{CE} Controlled) [14, 15]



Notes

- 11. Device is continuously selected. $\overline{OE}, \overline{CE} = V_{IL}$.
- 12. \overline{WE} is HIGH for read cycle.
- 13. Address valid prior to or coincident with \overline{CE} transition LOW.
- 14. Data I/O is high impedance if $\overline{OE} = V_{IH}$.
- 15. If \overline{CE} goes HIGH simultaneously with \overline{WE} going HIGH, the output remains in a high impedance state.

Switching Waveforms (continued)

Figure 6. Write Cycle No. 2 (\overline{WE} Controlled, \overline{OE} HIGH During Write) [16, 17]

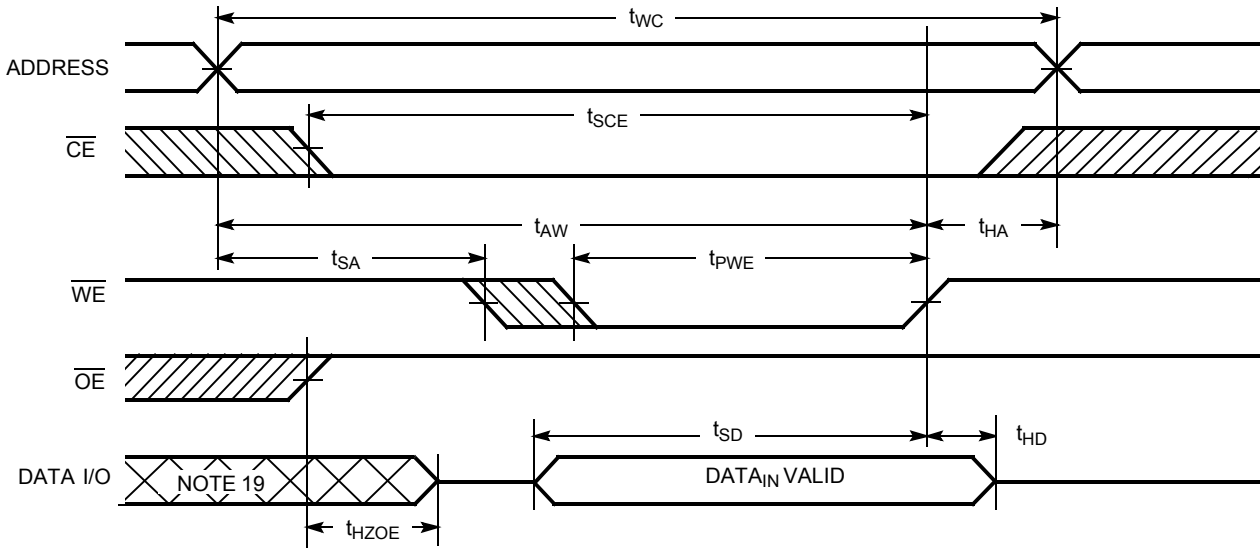
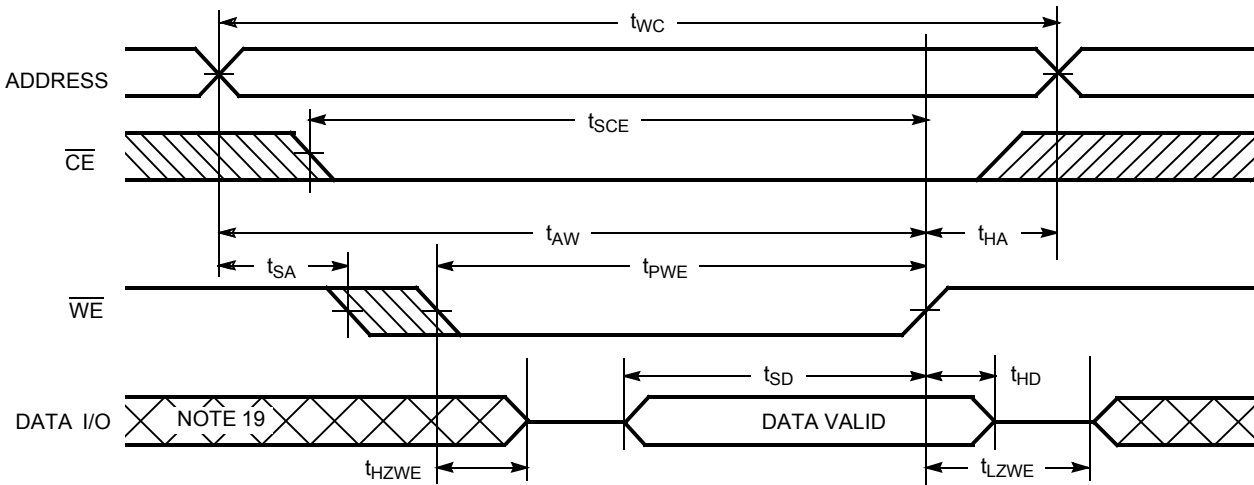


Figure 7. Write Cycle No. 3 (\overline{WE} Controlled, \overline{OE} LOW) [17, 18]



Notes

- 16. Data I/O is high impedance if $\overline{OE} = V_{IH}$.
- 17. If \overline{CE} goes HIGH simultaneously with \overline{WE} going HIGH, the output remains in a high impedance state.
- 18. The minimum write cycle pulse width should be equal to the sum of t_{SD} and t_{HZWE} .
- 19. During this period the I/Os are in the output state and input signals should not be applied.

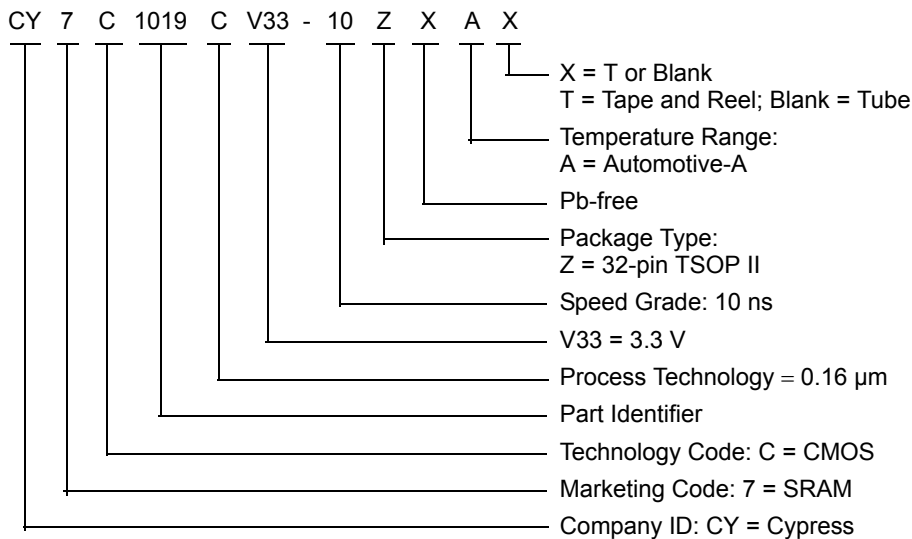
Truth Table

\overline{CE}	\overline{OE}	\overline{WE}	I/O ₀ -I/O ₇	Mode	Power
H	X	X	High Z	Power Down	Standby (I _{SB})
L	L	H	Data Out	Read	Active (I _{CC})
L	X	L	Data In	Write	Active (I _{CC})
L	H	H	High Z	Selected, Outputs Disabled	Active (I _{CC})

Ordering Information

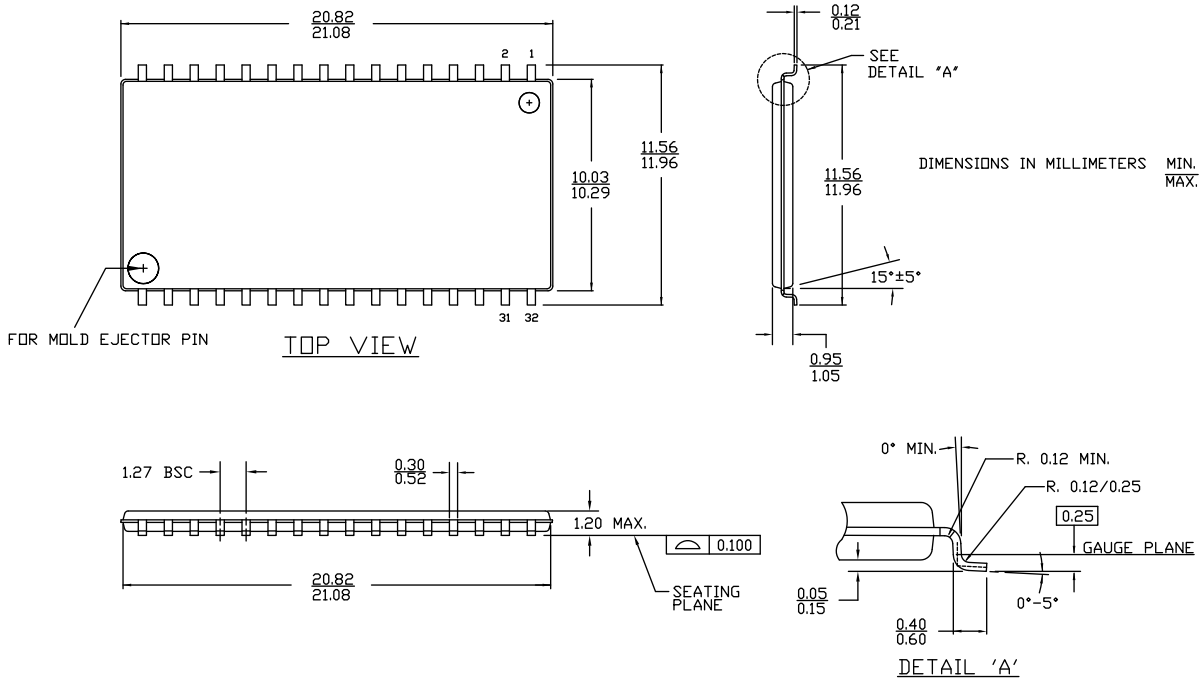
Speed (ns)	Ordering Code	Package Diagram	Package Type	Operating Range
10	CY7C1019CV33-10ZX A	51-85095	32-pin TSOP II (Pb-free)	Automotive-A
	CY7C1019CV33-10ZXAT	51-85095	32-pin TSOP II (Pb-free)	

Ordering Code Definitions



Package Diagram

Figure 8. 32-pin TSOP II (20.95 × 11.76 × 1.0 mm) ZS32 Package Outline, 51-85095



51-85095 *D

Acronyms

Acronym	Description
CMOS	Complementary Metal Oxide Semiconductor
$\overline{\text{CE}}$	Chip Enable
I/O	Input/Output
$\overline{\text{OE}}$	Output Enable
SRAM	Static Random Access Memory
TSOP	Thin Small Outline Package
TTL	Transistor-Transistor Logic
$\overline{\text{WE}}$	Write Enable

Document Conventions

Units of Measure

Symbol	Unit of Measure
°C	degree Celsius
MHz	megahertz
μA	microampere
mA	milliampere
mm	millimeter
ms	millisecond
ns	nanosecond
%	percent
pF	picofarad
V	volt
W	watt

Document History Page

Document Title: CY7C1019CV33, 1-Mbit (128 K × 8) Static RAM				
Document Number: 38-05130				
Rev.	ECN No.	Submission Date	Orig. of Change	Description of Change
**	109245	12/16/01	HGK	New data sheet.
*A	113431	04/10/02	NSL	Updated AC Test Loads and Waveforms : AC Test Loads split based on speed.
*B	115047	08/01/02	HGK	Added TSOP II Package related information in all instances across the document. Added Industrial Temperature related information in all instances across the document. Improved I _{CC} limits in all instances across the document.
*C	119796	10/11/02	DFP	Updated Selection Guide (Changed value of maximum standby current from 5 nA to 5 mA).
*D	123030	12/17/02	DFP	Updated Truth Table (To reflect single Chip Enable option).
*E	419983	See ECN	NXR	Added 48-ball VFBGA Package related information in all instances across the document. Updated Ordering Information : Added lead-free parts. Replaced “Package Name” with “Package Diagram” in column heading and updated details in the column.
*F	493543	See ECN	NXR	Removed 8 ns speed bin related information in all instances across the document. Updated Pin Configuration : Added Note 1 and referred the same note in Figure 1 . Updated Electrical Characteristics : Changed the description of I _{LX} parameter from “Input Load Current” to “Input Leakage Current”. Removed I _{OS} parameter and its details. Updated Ordering Information .
*G	2761448	09/09/2009	VKN	Added Automotive-A Temperature Range related information in all instances across the document.
*H	2897691	03/23/2010	RAME	Updated Ordering Information . Updated Package Diagram .
*I	3057593	10/13/2010	PRAS	Updated Ordering Information and added Ordering Code Definitions . Updated Package Diagram .
*J	3072834	11/11/2010	PRAS	Updated Ordering Information : Removed obsolete parts. Updated Package Diagram .
*K	3277371	06/08/2011	AJU	Updated Features . Updated Selection Guide (Removed -12 (Industrial) and -15 (Industrial) columns). Updated Electrical Characteristics (Removed -12 (Industrial) and -15 (Industrial) columns). Updated Switching Characteristics (Removed -12 (Industrial) and -15 (Industrial) columns). Updated Package Diagram . Updated to new template.
*L	4146968	10/04/2013	VINI	Updated to new template. Completing Sunset Review.

Document History Page (continued)

Document Title: CY7C1019CV33, 1-Mbit (128 K × 8) Static RAM Document Number: 38-05130				
Rev.	ECN No.	Submission Date	Orig. of Change	Description of Change
*M	4578508	11/24/2014	VINI	Updated Functional Description : Added "For a complete list of related documentation, click here. " at the end. Updated Switching Characteristics : Added Note 10 and referred the same note in "Write Cycle". Updated Switching Waveforms : Added Note 18 and referred the same note in Figure 7 .
*N	4802185	06/18/2015	NILE	Updated Package Diagram : spec 51-85095 – Changed revision from *B to *D. Updated to new template.
*O	5017466	11/17/2015	VINI	Added Thermal Resistance . Completing Sunset Review.

Sales, Solutions, and Legal Information

Worldwide Sales and Design Support

Cypress maintains a worldwide network of offices, solution centers, manufacturer's representatives, and distributors. To find the office closest to you, visit us at [Cypress Locations](#).

Products

Automotive	cypress.com/go/automotive
Clocks & Buffers	cypress.com/go/clocks
Interface	cypress.com/go/interface
Lighting & Power Control	cypress.com/go/powerpsoc
Memory	cypress.com/go/memory
PSoC	cypress.com/go/psoc
Touch Sensing	cypress.com/go/touch
USB Controllers	cypress.com/go/USB
Wireless/RF	cypress.com/go/wireless

PSoC[®] Solutions

psoc.cypress.com/solutions
PSoC 1 | PSoC 3 | PSoC 4 | PSoC 5LP

Cypress Developer Community

[Community](#) | [Forums](#) | [Blogs](#) | [Video](#) | [Training](#)

Technical Support

cypress.com/go/support

© Cypress Semiconductor Corporation, 2001-2015. The information contained herein is subject to change without notice. Cypress Semiconductor Corporation assumes no responsibility for the use of any circuitry other than circuitry embodied in a Cypress product. Nor does it convey or imply any license under patent or other rights. Cypress products are not warranted nor intended to be used for medical, life support, life saving, critical control or safety applications, unless pursuant to an express written agreement with Cypress. Furthermore, Cypress does not authorize its products for use as critical components in life-support systems where a malfunction or failure may reasonably be expected to result in significant injury to the user. The inclusion of Cypress products in life-support systems application implies that the manufacturer assumes all risk of such use and in doing so indemnifies Cypress against all charges.

Any Source Code (software and/or firmware) is owned by Cypress Semiconductor Corporation (Cypress) and is protected by and subject to worldwide patent protection (United States and foreign), United States copyright laws and international treaty provisions. Cypress hereby grants to licensee a personal, non-exclusive, non-transferable license to copy, use, modify, create derivative works of, and compile the Cypress Source Code and derivative works for the sole purpose of creating custom software and or firmware in support of licensee product to be used only in conjunction with a Cypress integrated circuit as specified in the applicable agreement. Any reproduction, modification, translation, compilation, or representation of this Source Code except as specified above is prohibited without the express written permission of Cypress.

Disclaimer: CYPRESS MAKES NO WARRANTY OF ANY KIND, EXPRESS OR IMPLIED, WITH REGARD TO THIS MATERIAL, INCLUDING, BUT NOT LIMITED TO, THE IMPLIED WARRANTIES OF MERCHANTABILITY AND FITNESS FOR A PARTICULAR PURPOSE. Cypress reserves the right to make changes without further notice to the materials described herein. Cypress does not assume any liability arising out of the application or use of any product or circuit described herein. Cypress does not authorize its products for use as critical components in life-support systems where a malfunction or failure may reasonably be expected to result in significant injury to the user. The inclusion of Cypress' product in a life-support systems application implies that the manufacturer assumes all risk of such use and in doing so indemnifies Cypress against all charges.

Use may be limited by and subject to the applicable Cypress software license agreement.

Mouser Electronics

Authorized Distributor

Click to View Pricing, Inventory, Delivery & Lifecycle Information:

[Cypress Semiconductor:](#)

[CY7C1019CV33-10ZXA](#)