

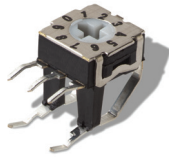
RTE Series Low Profile Rotary DIP Switches

SWITCHES WITH STANDARD OPTIONS

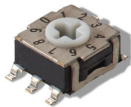
PC Mount-Terminal Option N



Right Angle Mount-Terminal Option V

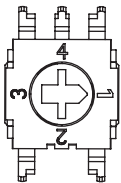


Surface Mount-Terminal Option G

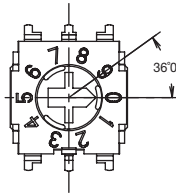


NUMBER OF POSITIONS

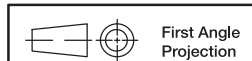
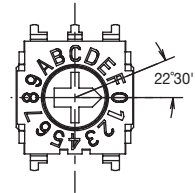
RTE04 4 POSITIONS



RTE10 10 POSITIONS



RTE16 16 POSITIONS



First Angle
Projection

Dimensions are shown: Inch (mm)
Specifications and dimensions subject to change

RTE Series Low Profile Rotary DIP Switches

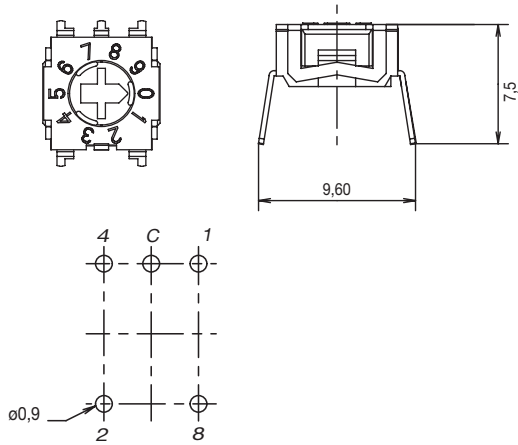


H

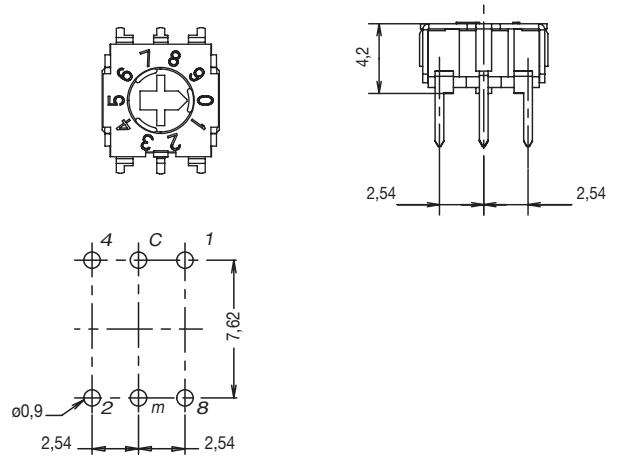
DIP

ESD PROTECTION

0 WITHOUT

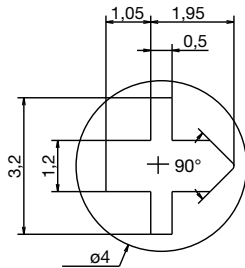


1 WITH

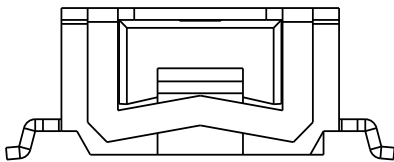


ACTUATOR

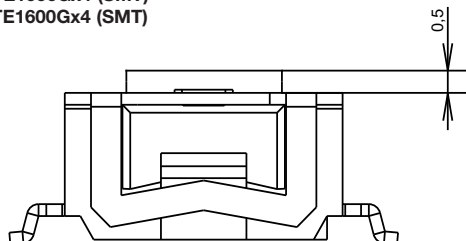
0 SCREWDRIVER SLOT



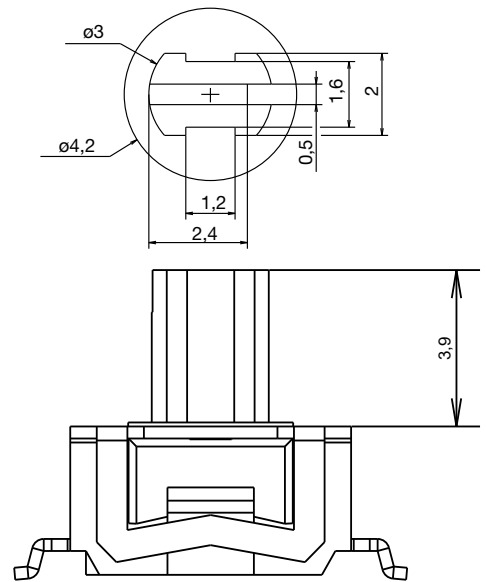
For all RTE versions



Except for RTE1000Gx4 (SMT)
RTE1600Gx4 (SMT)



2 SHAFT FOR BUTTON



Dimensions are shown: Inch (mm)
Specifications and dimensions subject to change

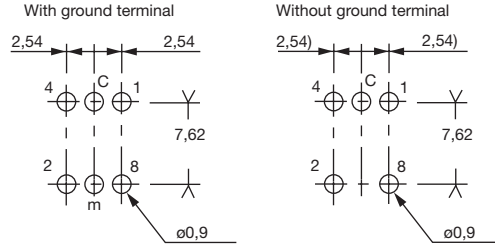
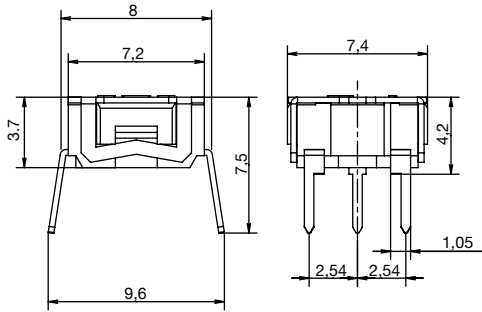
RTE Series Low Profile Rotary DIP Switches

TERMINATIONS

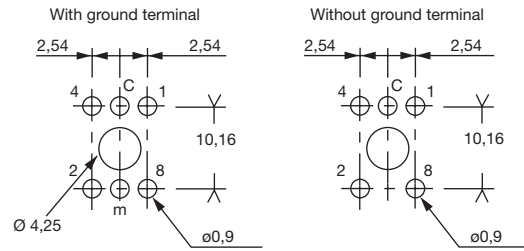
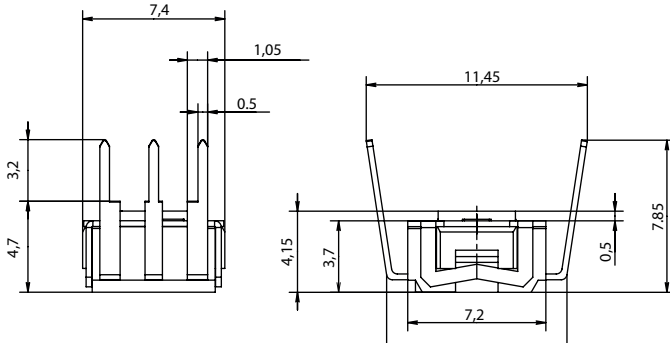


DIP I

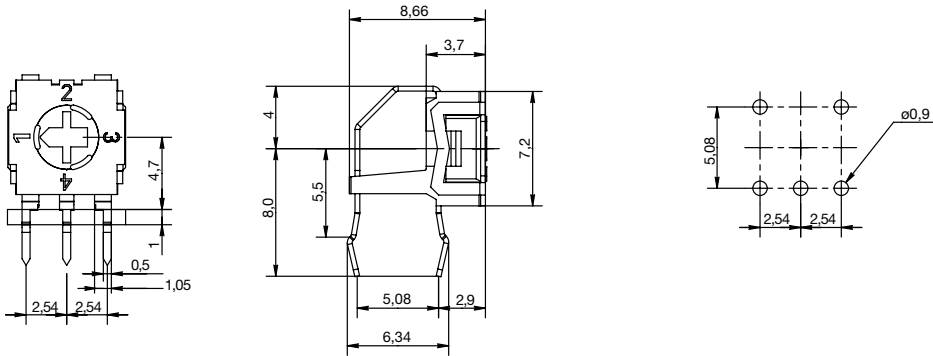
N THRU-HOLE



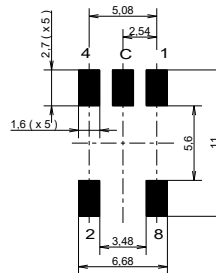
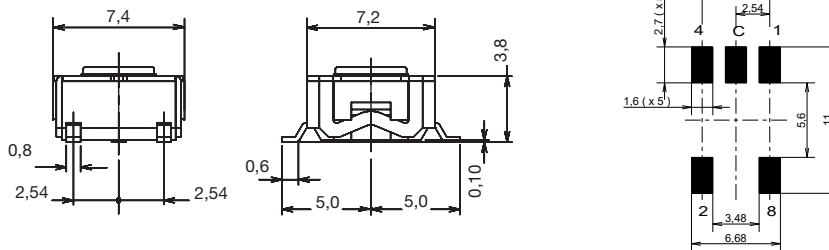
R REVERSE, THRU-HOLE



V RIGHT ANGLE, THRU-HOLE



G SURFACE MOUNT



PCB layout seen component side



Dimensions are shown: Inch (mm)
Specifications and dimensions subject to change



SWITCH FUNCTION

0 SINGLE POLE

POS.	1	2	3	4
C	●	●	●	●
1	●			
2		●		
3			●	
4				●

1 BCD CODE

POS.	0	1	2	3	4	5	6	7	8	9
C	●	●	●	●	●	●	●	●	●	●
1		●		●		●		●		●
2			●	●			●	●		
4					●	●	●	●		
8									●	●

3 GRAY CODE (for RTE10 only)

POS.	0	1	2	3	4	5	6	7	8	9
C	●	●	●	●	●	●	●	●	●	●
1		●	●			●	●			●
2			●	●	●	●				
4				●	●	●	●	●	●	●
8									●	●

4 HEXADECIMAL CODE

POS.	0	1	2	3	4	5	6	7	8	9	A	B	C	D	E	F
C	●	●	●	●	●	●	●	●	●	●	●	●	●	●	●	●
1		●			●		●		●		●		●		●	
2			●	●		●	●			●	●		●	●		
4					●	●	●					●	●	●	●	
8								●	●	●	●	●	●	●	●	

7 GRAY CODE (for RTE04 only)

POS.	1	2	3	4
C	●	●	●	●
1	●			
2		●		
4			●	
8				●

(for RTE16 only)

POS.	0	1	2	3	4	5	6	7	8	9	A	B	C	D	E	F
C	●	●	●	●	●	●	●	●	●	●	●	●	●	●	●	●
1		●	●			●	●		●		●		●		●	
2			●	●	●	●				●	●		●	●		
4					●	●	●	●	●	●	●		●	●	●	
8									●	●	●	●	●	●	●	

CONTACT MATERIAL

OPTION CODE	CONTACT MATERIAL	TERMINAL PLATING
4	Gold: 0.5 µm	Lead Free Tin
7	Gold: 1 µm	Gold



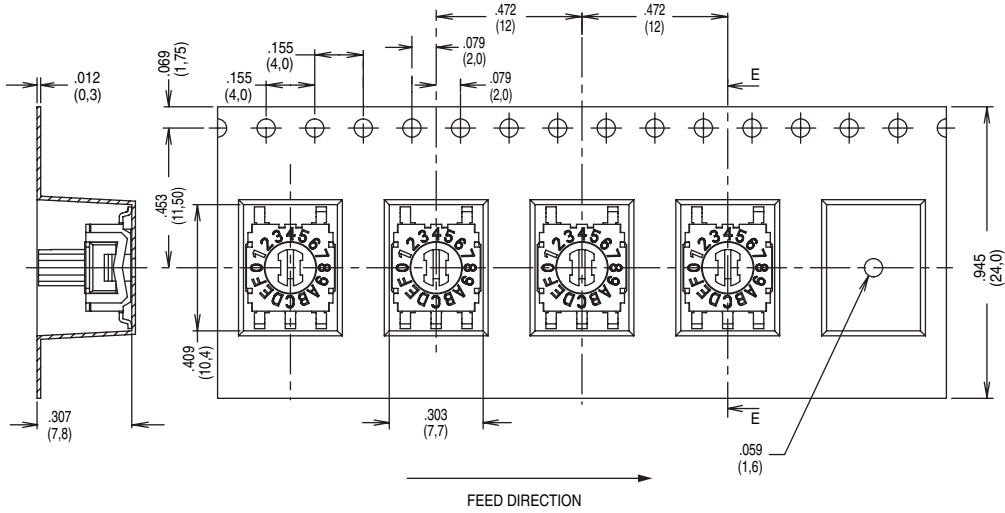
First Angle
Projection

Dimensions are shown: Inch (mm)
Specifications and dimensions subject to change

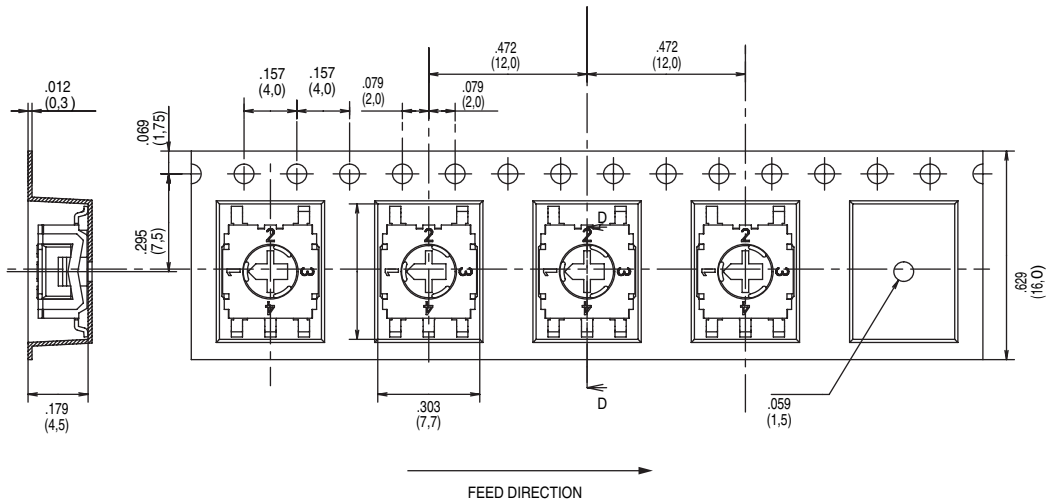
RTE Series Low Profile Rotary DIP Switches

TAPE AND REEL

Tape and reel for RTExx02Gxx
750 pieces per reel.



Tape and reel for RTExx00Gxx
1,250 pieces per reel.



Dimensions are shown: Inch (mm)
Specifications and dimensions subject to change

Mouser Electronics

Authorized Distributor

Click to View Pricing, Inventory, Delivery & Lifecycle Information:

C&K Switches:

[RTE0400N04](#) [RTE1000G14](#) [RTE1000N14](#) [RTE1000V14](#) [RTE1600G44](#) [RTE1600N44](#) [RTE1600V44](#) [RTE1610N44](#)
[RTE0400V04](#) [RTE1000N24](#) [RTE1000R24](#) [RTE1001N24](#) [RTE1001R14](#) [RTE1002G14](#) [RTE1002N24](#) [RTE1002V14](#)
[RTE1010N24](#) [RTE1010R14](#) [RTE1010R24](#) [RTE1011N14](#) [RTE1011N24](#) [RTE1011R24](#) [RTE1012N14](#) [RTE1012N24](#)
[RTE1601R44](#) [RTE1602V44](#) [RTE1610R44](#) [RTE1611N44](#) [RTE1611R44](#) [RTE1612N44](#) [RTE1000R14](#) [RTE1002N14](#)
[RTE1600R44](#) [RTE1602N44](#) [RTE1010N14](#) [RTE1000N34](#) [RTE0400G04](#) [RTE10B0G14](#) [RTE1002R14](#)
[RTE1000G34](#) [RTE1602G74](#) [RTE1010N34](#) [RTE1010R34](#) [RTE1602G44](#) [RTE1000R34](#)